

8/16 Port USB HDMI® 18.5" LCD KVM Switch

(LH1808/LH1816)



www.kinankvm.com

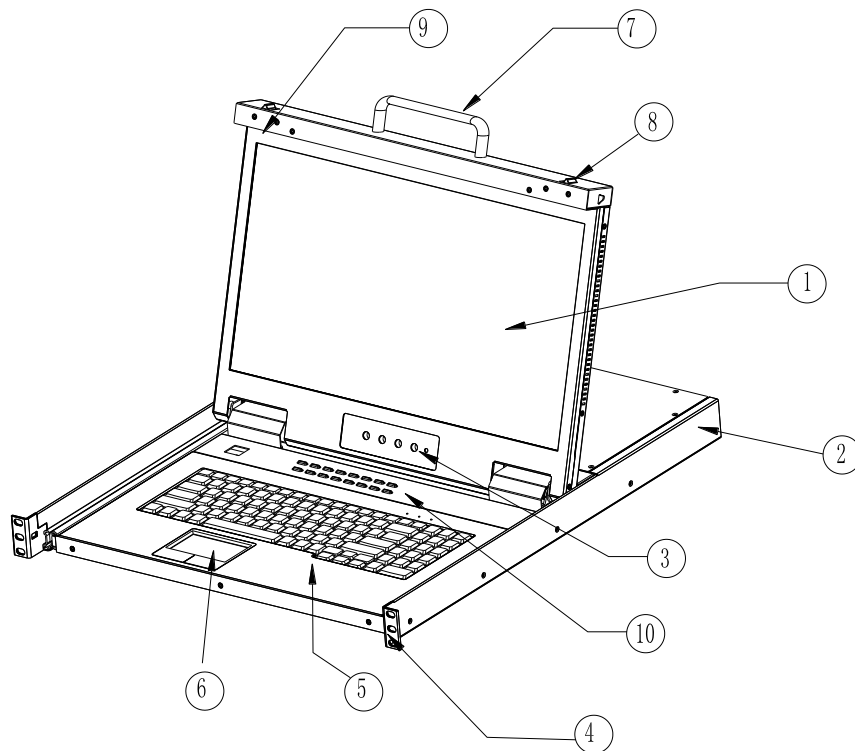
@All right reserved Shenzhen Kinan Technology Co., Ltd.

Date: 2024/12

Version: V 1.0

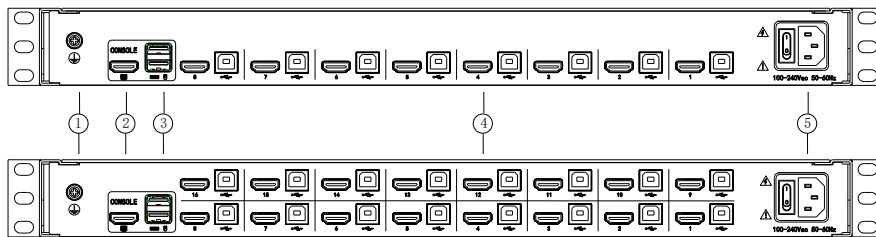
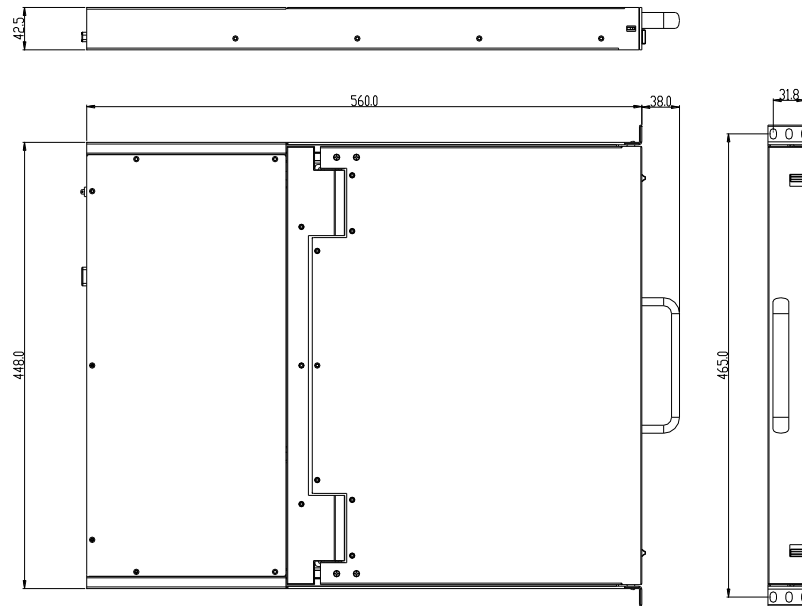
Introduction

Kinan LH1808/LH1816 HDMI KVM switch integrates an 18.5" widescreen LCD monitor, keyboard & touchpad, and an 8/16 ports HDMI KVM switch in a 1U rack housing. It can control 8/16 computers with one monitor, keyboard and mouse. Connect computers via standard HDMI port, resolution is up to 1920 x 1080@60Hz. It is easy and fast to install the KVM switch, you just need to connect corresponding cables to the right ports of KVM and its module without software configuration.



1. LED Module	6. Touchpad
2. Rear Bracket Slot	7. Handle
3. LED OSD Controls	8. Release Catch
4. Front Bracket	9. Display panel
5. Keyboard	10. Switch LED

Structure



1. Ground connection screw	4. KVM port
2. HDMI Output	5. Power input (AC)
3. USB port	/

Hardware Feature

- Integrated rack mount drawer with 18.5" rack mount monitor, keyboard/touchpad and 8/16 port KVM switch in a 1U height console.
- Standard HDMI connection – connect to a server or computer via standard HDMI connectors.
- LCD module can be opened up to 108 degrees to provide a comfortable viewing experience.
- Support computers with USB keyboard and mouse.

Management

- Convenient computer switching via front panel LEDs, keyboard hotkey combination or on-screen-display (OSD) menu.
- Auto scan feature for monitoring user-selected computer.
- Broadcast mode – operations simultaneously performed on all selected computers.
- Hot-pluggable – add or remove computers without having to power down the switch.
- Quickly select your computer by naming the server or inputting SN number of the server.
- On-screen-display (OSD) adjustments – adjust the on-screen image, including auto adjust, exit, power on/off, brightness, menu, and a power indicator.

High Resolution

- 18.5" FHD LCD monitor with highlight, high definition and high resolution.
- Resolution is up to 1920 x 1080@60Hz.

Security

- Two level password security – only authorized users can view and control computers.
- Supports one administrator and four user accounts with a separate profile for each.

High Performance Touchpad

- Touchpad with scroll wheel – eliminates the need for a separate, external mouse.

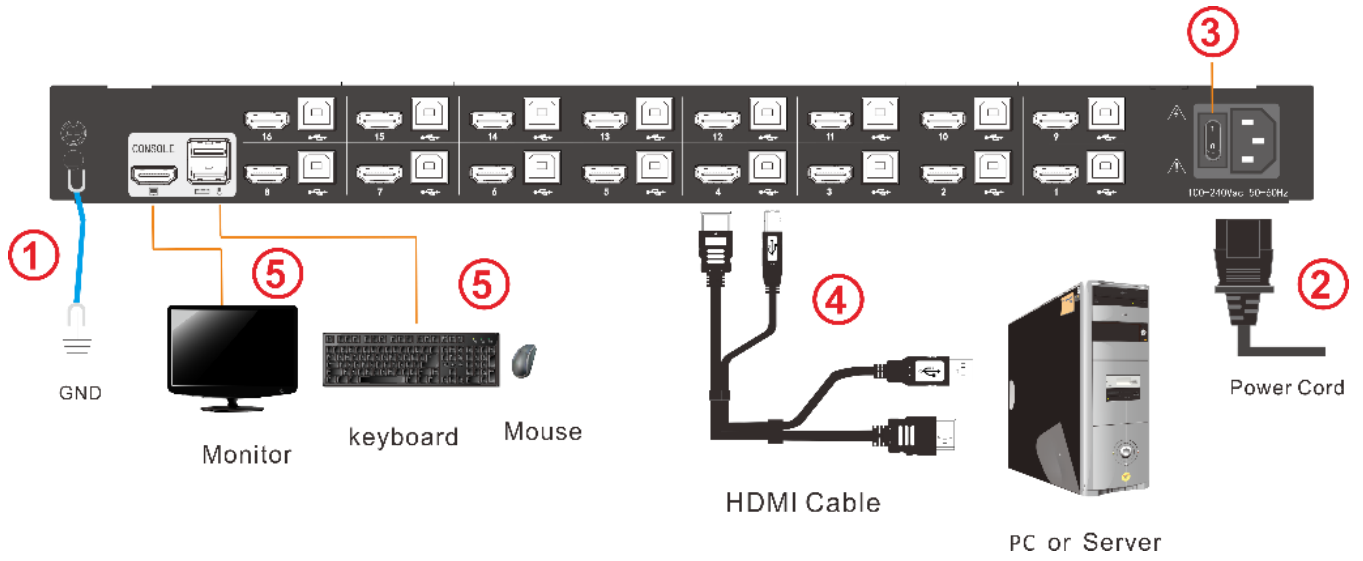
Keyboard

- Multi-language support – English, Russian, German, French, Spanish, and Korean etc.
- Full size 99-key keyboard with integrated number pad.

Wide Compatibility

- Multiplatform Support – Compatible with Windows, Sun, Unix, and Linux.
- Supports servers from Lenovo, HUA, WEI, HP, IBM, Cisco and Dell, etc.

Connection Diagram



Specifications

Function		LH1808	LH1816
Computer connections	Direct	8	16
	Max	8	16
Port emulation	Keyboard, mouse	USB	
LED monitor	LED model	FHD TFT	
	View area	18.47"	
	Optimum resolution	1920×1080@60Hz	
	Display color	16.7 M	
	Brightness	250cd/m ² (T y p)	
	Contrast ratio	1000 : 1 (T y p)	
	Pixel pitch(mm)	0.213(H) × 0.213(W)	
Mouse	X/Y resolution	>1000 points /inch, (40 points/mm)	
	Roll wheel	Supports scroll wheel function	
Keyboard	99 keys (82 keys main keyboard +17 independent small numeric keyboard)		
Port selection	pushbuttons, hotkeys, OSD menu		
Input power	100V- 240Vac, 50-60Hz, <1.5A		
Power consumption	28W	30W	
Mounting distance	686-770mm (L=262mm) Mounting bracket can be customized for other mounting distance		
Operating temperature	0—50 °C		
Store temperature	-20—60 °C		
Humidity	0—80% RH, non-condensing		
Net weight	11.8kg	12kg	
Product dimension (W × D × H)	448mm×560mm×42.5mm		
Package dimension (W × D × H)	765mm×615mm×185mm		