

# 17" & 19" 8 Ports/16 Ports Rackmount LCD Switch (LH27/19 Series)



www.kinankvm.com

@All right reserved Shenzhen Kinan Technology Co., Ltd.

Date: 2024/12

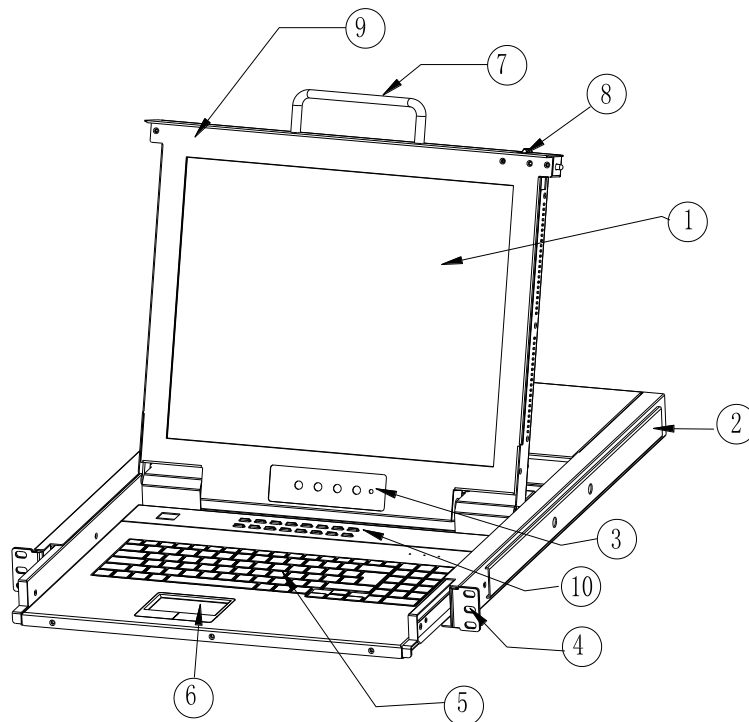
Version: V 1.0

## Overview

The KVM console integrates multiple port KVM switches in a 1U height console. It can control multiple computers with a set of device including monitor, keyboard and mouse, thus saves much cost and space to separately equip keyboard, mouse and monitor for every computer.

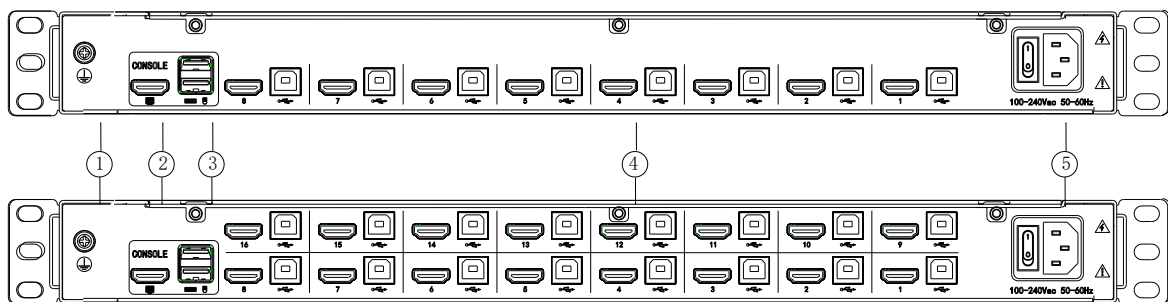
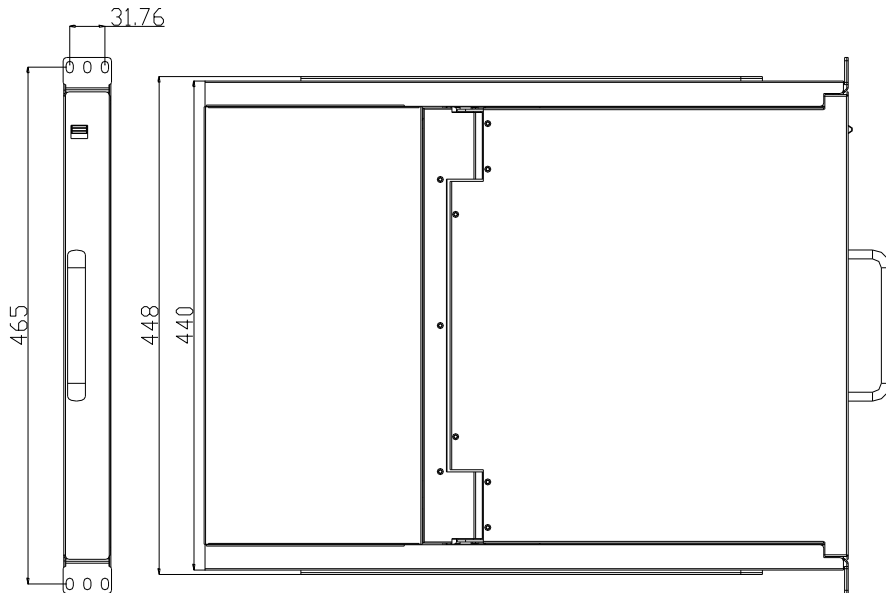
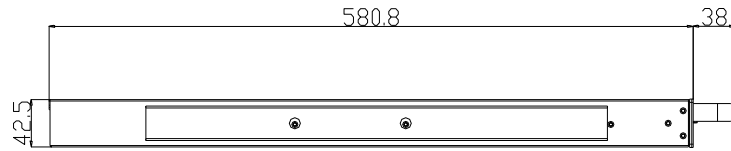
It is easy and fast to install the KVM switch, you just need to connect corresponding cables to the right ports of KVM and its module without software configuration.

The KVM console can control up to 8 or 16 computers, supporting multiple hardware platforms and operating systems.



1	LED Module	6	Touchpad
2	Rear Bracket Slot	7	Handle
3	LED OSD Controls	8	Release Catch
4	Front Bracket	9	Display panel
5	Keyboard	10	Switch LED

Structure

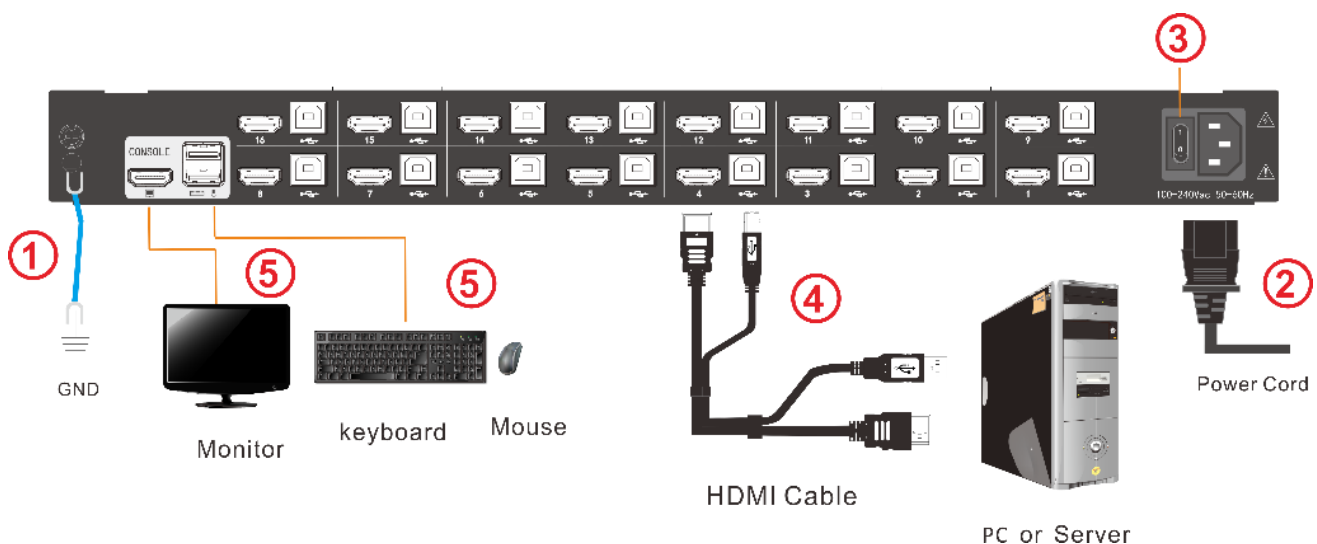


1 Ground connection screw	4 KVM port
2 HDMI Output	5 Power input (AC)
3 USB port	/

## Features

- 17" & 19" TFT monitor, high brightness, high resolution;
- 1U height, suitable height for standard 19" rack mount, metal structure.
- Ultra slim 99 keys US keyboard with small numeric keyboard.
- High resolution and high flexibility with touchpad with two function buttons and scroll wheel.
- A single console controls up to 8/16 HDMI computers
- Select computers via push button, hotkey and OSD
- Two level password security--only authorized users view and control computers; up to four users and an administrator with a separate profile for each
- Users can set up different hot keys( **【 Scroll Lock 】** / **【 Caps Lock 】** / **【 F12 】** / **【 Ctrl 】** ), auto scanning time, port display time, log out time, buzzer on/off and mouse on/off according to their different needs
- Broadcast mode – operations simultaneously performed on all selected computers Easily choose servers with mouse
- Multiplatform Support-Compatible with Windows, Sun, Unix and Linux
- Complete keyboard and mouse signal simulation to ensure that the booting and switching are correct
- Auto scan feature for monitoring user-selected computers
- Hot pluggable - add or remove computers without having to power down the switch

## Connection Diagram



## Specifications

Function		LH1908	LH1916
Computer connections	Direct	8	16
	Max	8	16
Port emulation	Keyboard, mouse	USB	
LED monitor	LED model	SXGA TFT	
	View area	19"	
	Optimum resolution	1280×1024@60Hz	
	Display color	16.7 M	
	Brightness	250cd/m <sup>2</sup> ( T y p )	
	Contrast ratio	1000 : 1 ( T y p )	
	Pixel pitch(mm)	0.2928(H) × 0.2928(W)	
Mouse	X/Y resolution	>1000 points /inch,( 40 points/mm )	
	Roll wheel	Supports scroll wheel function	
Keyboard		99 keys (82 keys main keyboard +17 independent small numeric keyboard)	
Port selection		Front panel pushbuttons,hotkeys,OSD menu	
Input power		100V- 240Vac , 50-60Hz , <1.5A	
Power consumption		23W	25W
Mounting distance		716~825mm ( L=262mm) Mounting rails can be customized for other mounting distance.	
Operating temperature		0—50 °C	
Store temperature		-20—60 °C	
Humidity		0—80% RH, non condensing	
Net weight		13.4kg	13.6kg
Product dimension (W × D × H)		448mm×605mm×42.5mm	
Package dimension (W × D × H)		765mm×615mm×185mm	
Optional power input		-36V— -72V DC	