

8/16 USB HDMI KVM Switch With An 18.5" LCD Monitor

(LH1816/1808)



www.kinankvm.com

@All right reserved Shenzhen Kinan Technology Co., Ltd.

Date: 2024/12

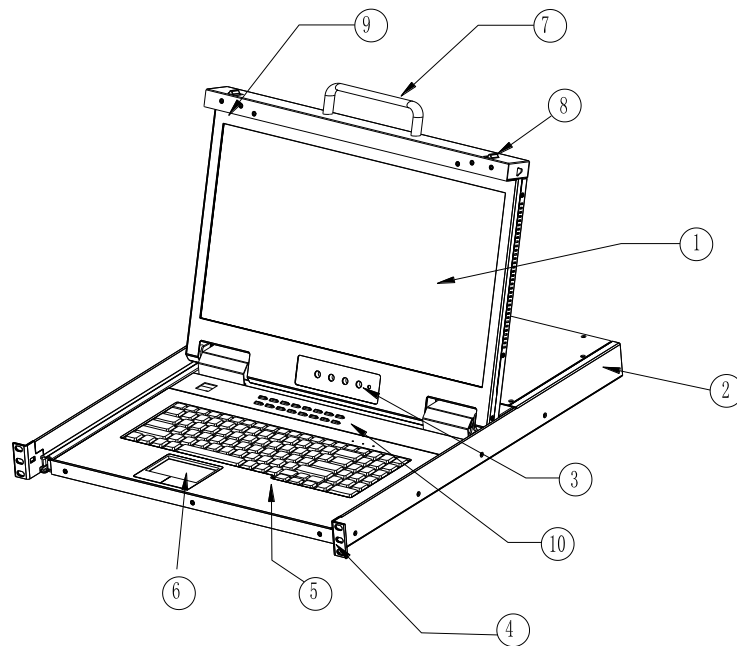
Version: V 1.0

Overview

The KVM console integrates multiple port KVM switches in a 1U height console. It can control multiple computers with a set of device including monitor, keyboard and mouse, thus saves much cost and space to separately equip keyboard, mouse and monitor for every computer.

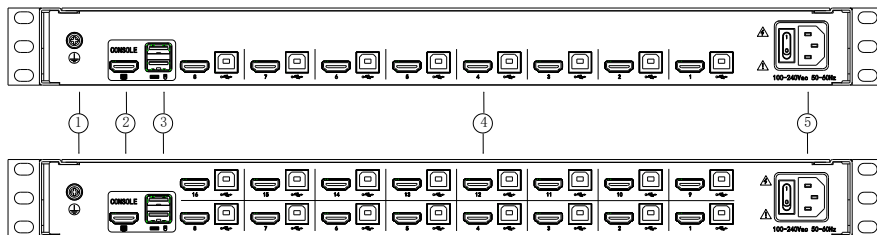
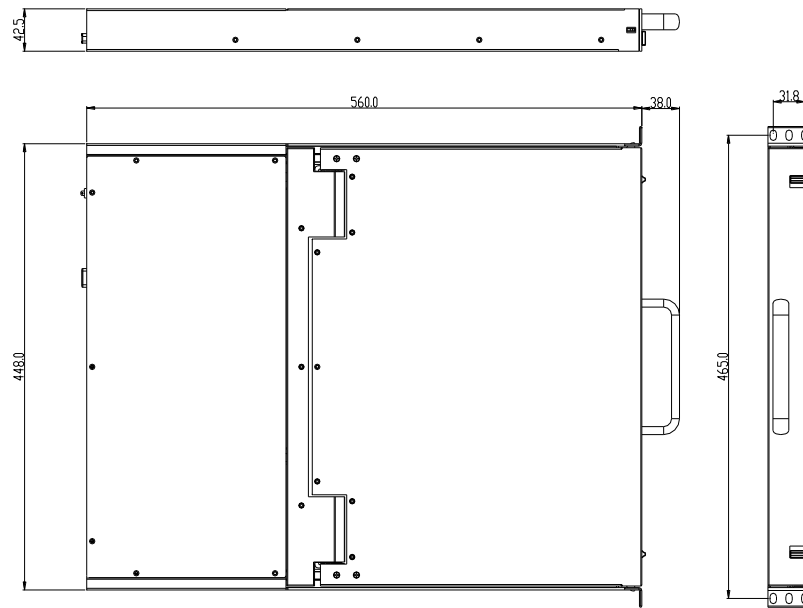
It is easy and fast to install the KVM console, you just need to connect corresponding cables to the right ports of KVM and its module without software configuration.

The KVM console can control up to 8 or 16 computers, supports multiple hardware platform and multiple operating system.



1 LED Module	6 Touchpad
2 Rear Bracket Slot	7 Handle
3 LED OSD Controls	8 Release Catch
4 Front Bracket	9 Display panel
5 Keyboard	10 Switch LED

Structure

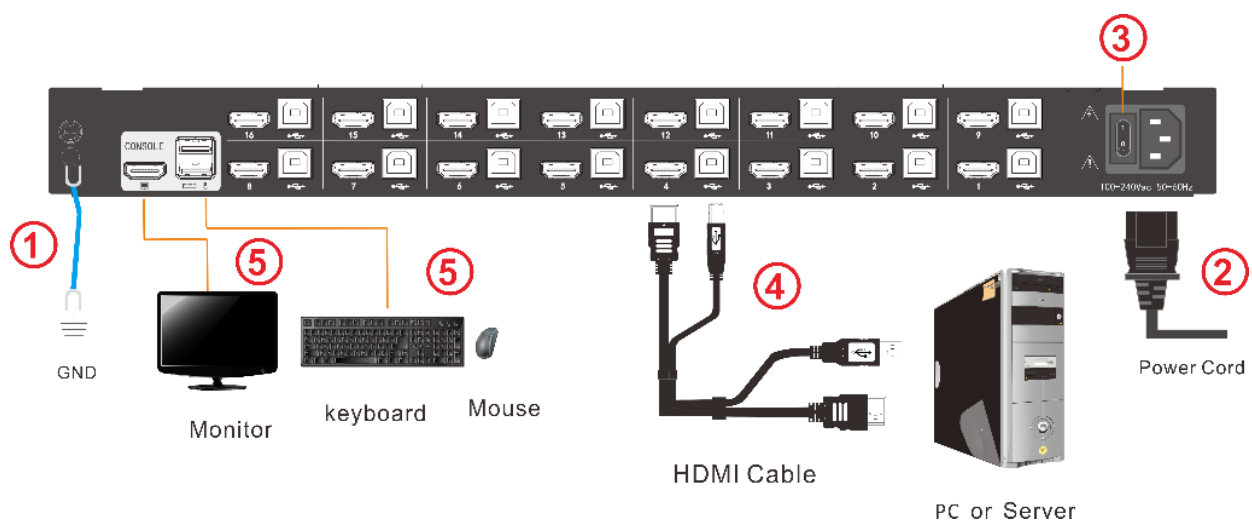


1 Ground Connection Screw	4 KVM Port
2 HDMI Output	5 Power Input (AC)
3 USB Port	/

Product Features

- 18.5" LED TFT monitor, high brightness, high resolution
- 1U height, suitable height for standard 19" rack mount, metal structure
- Ultra slim 99 keys US keyboard with small numeric keyboard
- High resolution and high flexibility with touchpad with two function buttons and scroll wheel
- A single console controls up to 8/16 HDMI computers
- Select computers via push button, hotkey and OSD
- Two level password security--only authorized users view and control computers; up to four users and an administrator with a separate profile for each
- Users can set up different hot keys(**【 Scroll Lock 】** / **【 Caps Lock 】** / **【 F12 】** / **【 Ctrl 】**), auto scanning time, port display time, log out time, buzzer on/off and mouse on/off according to their different needs
- Broadcast mode – operations simultaneously performed on all selected computers Easily choose servers with mouse
- Multiplatform Support-Compatible with Windows, Sun, Unix and Linux
- Complete keyboard and mouse signal simulation to ensure that the booting and switching are correct
- Auto scan feature for monitoring user-selected computers
- Hot pluggable - add or remove computers without having to power down the switch

Connection Diagram



Specifications

Function		LH1808	LH1816
Computer connections	Direct	8	16
	Max	8	16
Port emulation	Keyboard, mouse	USB	
LED monitor	LED model	FHD TFT	
	View area	18.47"	
	Optimum resolution	1920×1080@60Hz	
	Display color	16.7 M	
	Brightness	250cd/m ² (Typ)	
	Contrast ratio	1000 : 1 (Typ)	
	Pixel pitch(mm)	0.213(H) × 0.213(W)	
Mouse	X/Y resolution	>1000 points /inch, (40 points/mm)	
	Roll wheel	Supports scroll wheel function	
Keyboard	99 keys (82 keys main keyboard +17 independent small numeric keyboard)		
Port selection	pushbuttons, hotkeys, OSD menu		
Input power	100V- 240Vac, 50-60Hz, <1.5A		
Power consumption	28W	30W	
Mounting distance	686-770mm (L=262mm) Mounting bracket can be customized for other mounting distance		
Operating temperature	0—50 °C		
Store temperature	-20—60 °C		
Humidity	0—80% RH, non-condensing		
Net weight	11.8kg	12kg	
Product dimension (W × D × H)	448mm×560mm×42.5mm		
Package dimension (W × D × H)	765mm×615mm×185mm		