

IHDMI Dual View KVM Extender over Fiber/Cat5

(KFH268S)



www.kinankvm.com

@All right reserved Shenzhen Kinan Technology Co., Ltd.

Date: 2024/12

Version: V 1.0

Introduction

KFH268S HDMI high-definition digital KVM extender is a KVM signal extension device that can transmit 2-channel video, mouse, keyboard, USB2.0 and other signals of the PC host through optical fiber or network cable.

A complete set of KFH163S equipment consists of two parts, namely the transmitter (KFH268S_TX) and the receiver (KFH268S_RX). The transmitter connects to the signal source that needs to be transmitted, such as PC or Blu-ray devices, and the receiver will connect to the display, keyboard, mouse, U disk, audio player and other devices.

KFH268S HDMI high-definition digital KVM extender uses optical fiber or network cable for connection, supporting single-mode and multi-mode optical fibers. The maximum transmission distance of single-mode is 80km, the maximum transmission distance of multi-mode is 300m, and the maximum transmission distance of network cable is 150m. It supports the transmission of 2-channel high-quality HDMI signals and can be widely used on many scenarios.

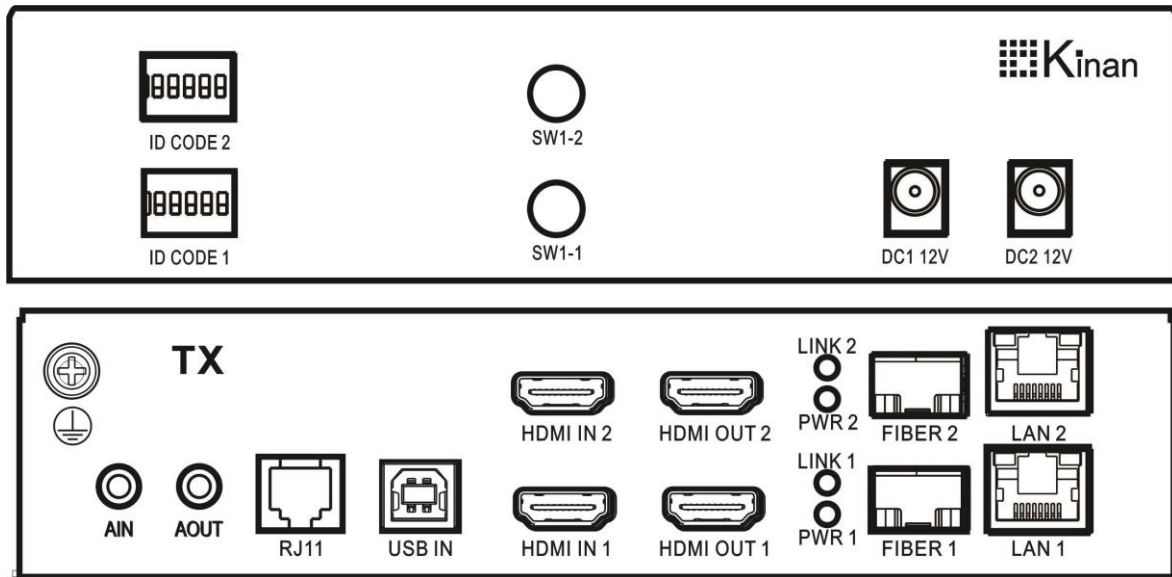
***Note: The bandwidth of the optical module must reach 1.25Gbit/sec or above.**

Product Feature

- Private video encoding protocol (JPEG-like) lossless compression, the transmission quality is visually lossless.
- Ultra-low latency, 1 frame delay (16ms @ 60fps).
- HDMI high-definition video transmission, up to 3840x2160@30Hz, 1920*1080@60Hz recommended.
- Typical transmission bandwidth is 200M~300Mbit/s.
- Supports 1000M LAN local area network interface.
- Supports optical fiber transmission. The optical interface SFP (LC) optical attenuation is -3db, optional FC interface -3db.
- The maximum transmission distance is 150m for point-to-point connection using network cable
- Supports USB 2.0 transparent transmission. Support max 4 USB peripherals, such as: U disk, USB printer, finger print recognition module, face recognition module, etc.
- Supports 1 channel asynchronous serial port transmission.
- Supports local (TX) HDMI interface loop out and identifying RX end EDID (RX must be connected to a monitor)
- Supports analog audio microphone.
- Supports point-to-point dial-up connection with Gigabit network switches.
- Built-in ESD protection circuit can prevent static electricity.

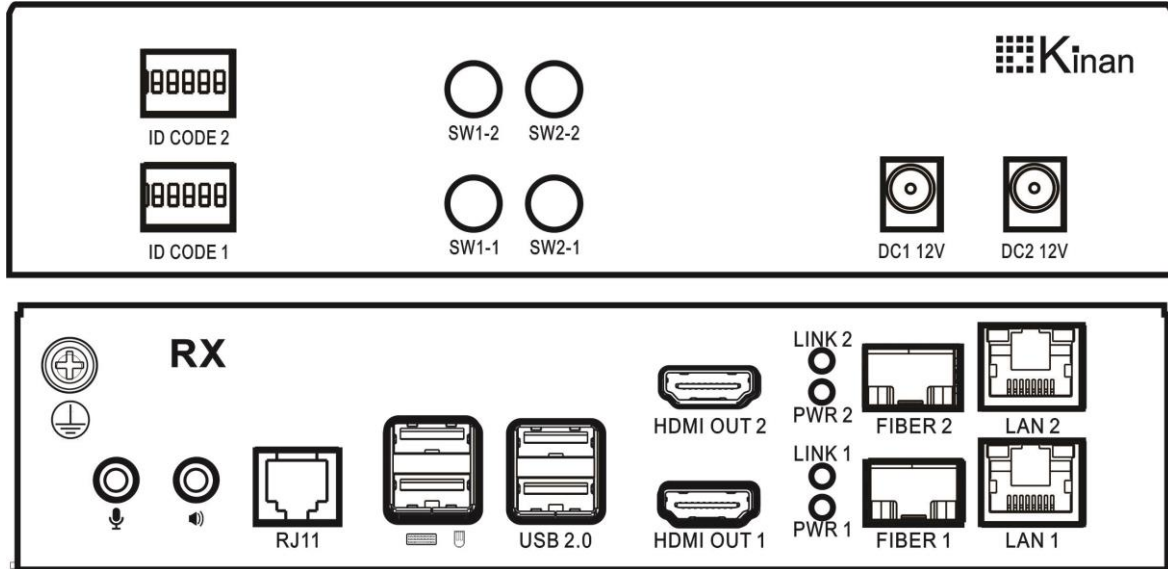
Product Overview

KFH268S Transmitter (TX)



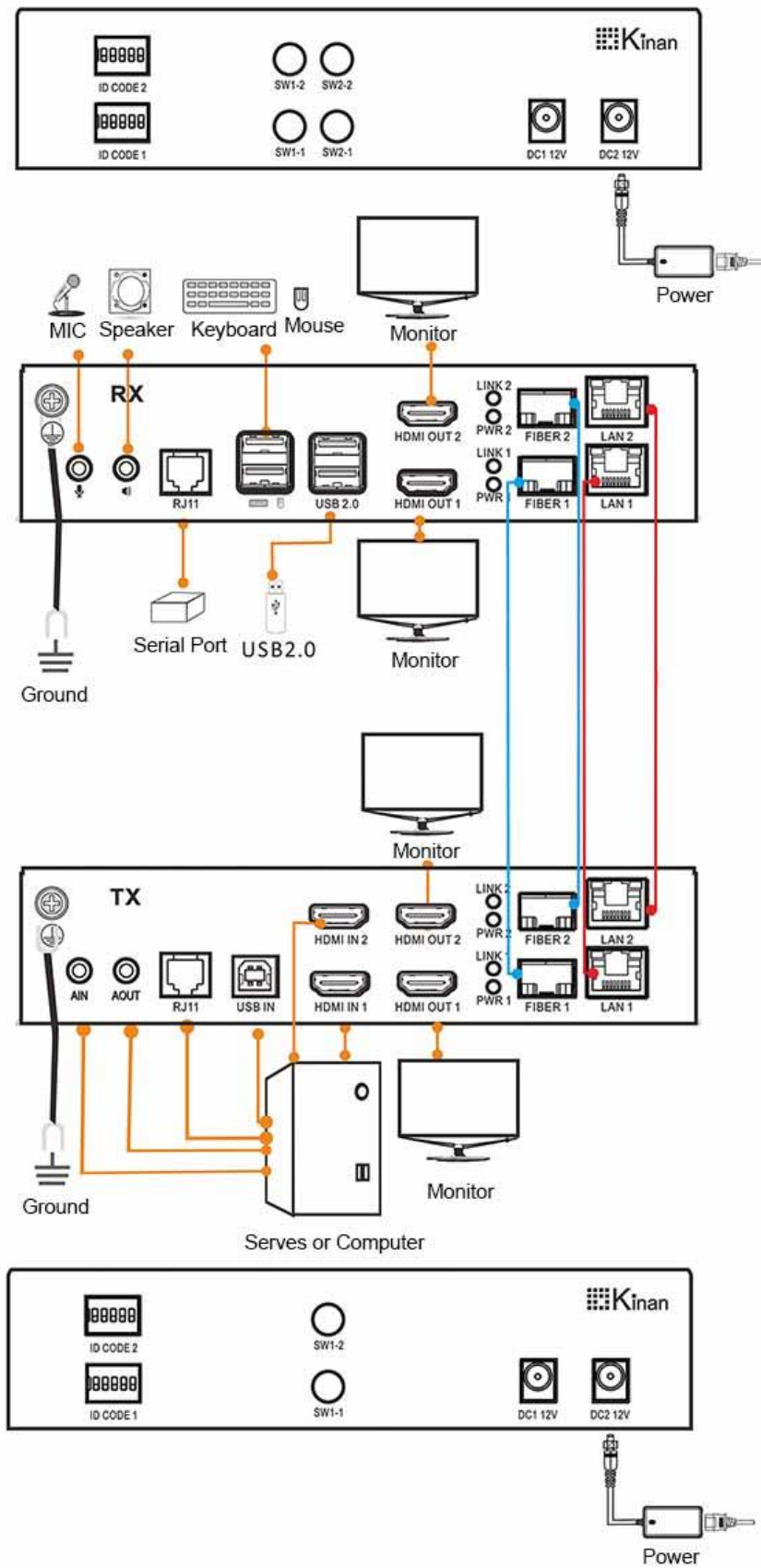
No.	Interface	Description	
1	ID CODE2, ID CODE1	Dip switch, used for point-to-point dial-up connection	
2	SW1-2, SW1-1	Buttons	
3	DC1 12V, DC2 12V	Connect to the 12Vdc power supply	
4		Ground the device	
5	AIN	Audio input	
6	AOUT	MIC output	
7	RJ11	Serial Port	
8	USB IN	USB-B, connect to PC or server	
9	HDMI IN2, HDMI IN1	HDMI video input	
10	HDMI OUT2, HDMI OUT1	HDMI loop out	
11	LED	LINK2, LINK1	Connection indicator
		PWR2, LINK1	Power indicator
12	FIBER2, FIBER1	Fiber connection interface	
13	LAN2,LAN1	LAN connection interface	

KFH268S Receiver (RX)



No.	Interface	Description	
1	ID CODE2, ID CODE1	Dip switch, used for point-to-point dial-up connection	
2	SW1-2, SW1-1 SW2-2, SW2-1	Buttons	
3	DC1 12V, DC2 12V	Connect to the 12Vdc power supply	
4		Ground the device	
5		MIC input	
6		Audio output	
7	RJ11	Serial Port	
8		Connect to USB keyboard and mouse	
9	USB2.0	Connect to USB2.0 peripherals	
10	HDMI OUT2, HDMI OUT1	HDMI video output	
11	LED	LINK2, LINK1	Connection indicator
		PWR2, PWR1	Power indicator
12	FIBER2, FIBER1	Fiber connection interface	
13	LAN2, LAN1	LAN connection interface	

Connection Diagram



Specifications

Specifications		KFH268S_TX	KFH268S_RX
Connections	HDMI input	2	NA
	HDMI output	2	2
	Power	12V	12V
	LAN port	RJ45 x 2	RJ45 x 2
	SFP port	SFP x 2	SFP x 2
	MIC	3.5mm Stereo Jack (Pink)	3.5mm Stereo Jack (Pink)
	Speaker	3.5mm Stereo Jack (Green)	3.5mm Stereo Jack (Green)
	USB Type B	1	N/A
	USB 2.0	N/A	2
Max resolution		3840*2160@30Hz	
Connection cable		CAT5/6 or Optical Fiber Cable	
Input power supply		DC12V / 2A	DC12V / 2A
Power consumption		7W	9W
Operating temperature range		0–50 °C	
Storage temperature range		-20–60 °C	
Humidity range		0–80% RH, non-condensing	
Net weight (kg)		0.92kg	0.91kg
Material		Metal	
Device dimension (W×D×H)		189 mm×144 mm×44mm	
Package dimension (W×D×H)		395 mm ×274 mm×110mm	