

8/16 Port 17.3" Full HD VGA LCD KVM Console (XW1708 / XW1716)

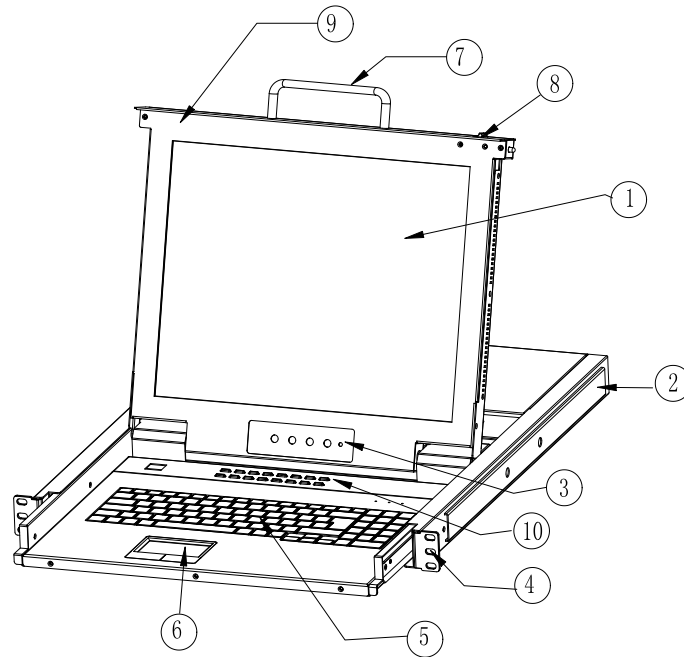


Overview

The Kinan's XW17 series KVM console features an integrated 17.3" LCD monitor, keyboard and touchpad in only 1U height rack mountable drawer. It allows access and control up to 8/16 computers from a single console (keyboard, mouse and monitor). The number of connected computers can be increased up to 256/512 by daisy-chaining up to 31 XM0108 KVM Switches.

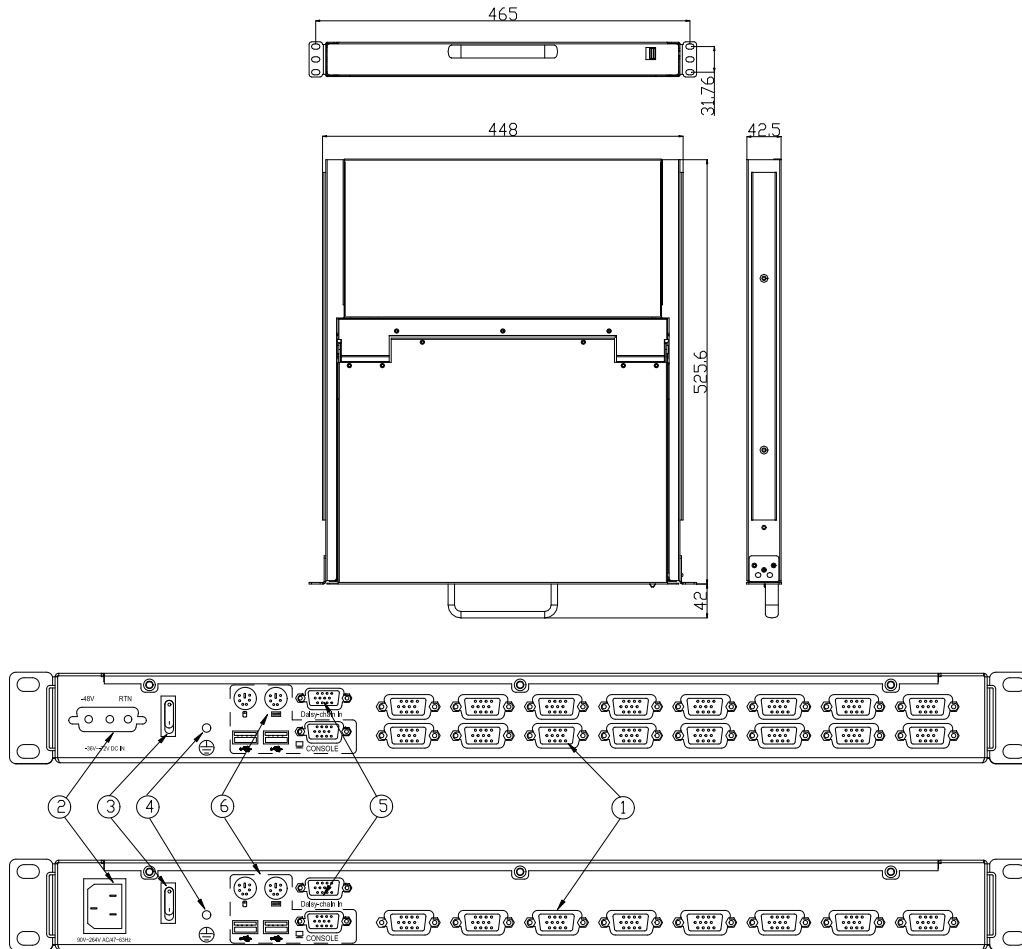
The XW17 series KVM console has a built-in LCD monitor that supports resolution up to 1920 x 1080@60Hz. Switching between computers can be easily accomplished by front panel pushbuttons, keyboard hotkey combination or on-screen-display (OSD).

The LCD KVM switch supports both USB and PS/2 connections for the computers. An extra HDB15 port allows an additional VGA monitor to be connected.



1	LCD Monitor	6	Touchpad
2	Rear Bracket Slot	7	Handle
3	Display Menu Buttons	8	Release Switch
4	Mounting Bracket	9	Display Panel
5	Keyboard	10	Port Selection Buttons

Structure



1	Host Port	4	Ground Connection Screw
2	Power input(AC)	5	Cascade port
3	Power switch	6	Console Port

Hardware Features

- Integrated USB KVM console with 17.3" LCD monitor, keyboard/touchpad and 8 port KVM switch in a 1U height console
- Standard VGA connection-Connect to a server or computer via standard VGA connectors
- LCD module can be opened up to 108 degrees to provide a comfortable viewing angle
- Support computers with USB and PS/2 keyboard and mouse

Management

- Convenient computer switching via front panel LEDs, keyboard hotkey combination or on-screen-display (OSD)
- Auto scan feature for monitoring user-selected computer
- Broadcast mode--operations simultaneously performed on all selected computers
- Hot pluggable --add or remove computers without having to power down the switch
- Quickly select your computer by naming the server or inputting SN number of the server
- On-Screen Display (OSD) adjustments-Adjust the on-screen image, including: auto adjust, exit, power on/off, brightness, and menu

High Resolution

- 17.3" TFT rack keyboard monitor supports highlight, high definition and high resolution
- Superior video quality is up to 1920 x 1080 @60Hz

Daisy-Chain Connection

- By daisy-chaining up to another 31 switches, as many as 256/512 servers can be controlled from a single console

Security

- Two level password security--only authorized users view and control computers
- Supports one administrator and four user accounts with a separate profile for each

High Performance Touchpad

- Touchpad with scroll wheel - Eliminates the need for a separate, external mouse

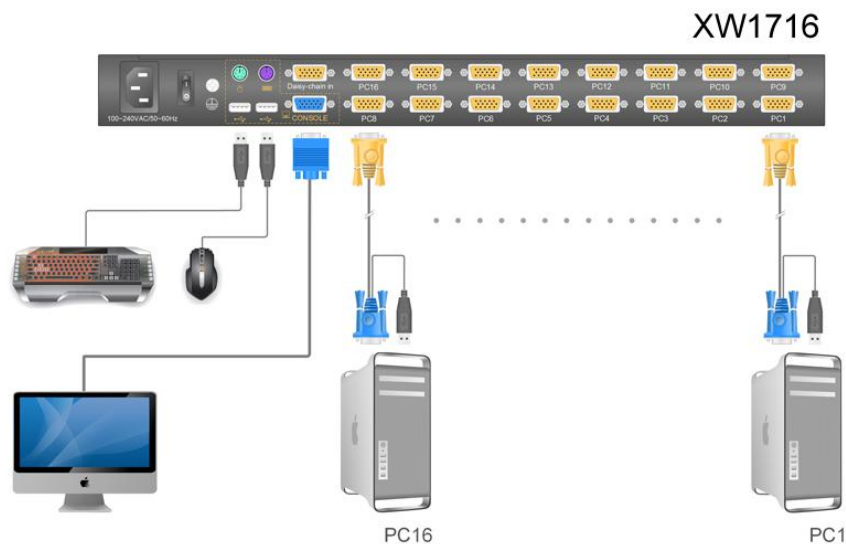
Keyboard

- Multi-language support--English, Russian, German, French, UK and Italian, etc.
- Full size 99 keys keyboard with integrated number pad

Wide Compatibility

- Multiplatform Support-Compatible with Windows, Sun, Unix and Linux
- Supports servers form Lenovo, HUA WEI, HP, IBM, Cisco and Dell, etc.

Connection Diagram



Specifications

Model		XW1708	XW1716
Computer connections	Direct	8	16
	Max	256	512
Port emulation	Keyboard, mouse	USB	
LCD monitor	LCD model	FHD TFT	
	View area	17.3"	
	Optimum resolution	1920×1080@60Hz	
	Display color	16.7 M	
	Brightness	250cd/m ² (T y p)	
	Contrast ratio	800: 1(T y p)	
	Pixel pitch(mm)	0.1989(H) × 0.1989(W)	
Mouse	X/Y resolution	>1000 points /inch, (40 points/mm)	
	Roll wheel	Supports scroll wheel function	
Keyboard	99 keys (82 keys main keyboard +17 independent small numeric keyboard)		
Port selection	Front panel pushbuttons, hotkeys, OSD menu		
Input power	100V- 240Vac, 50-60Hz, <1.5A		
Power consumption	13W	15W	
Mounting distance	510-850mm (L=420mm) Mounting bracket can be customized for other mounting distance		
Operating temperature	0—50 °C		
Store temperature	-20— 60 °C		
Humidity	0—80% RH, non-condensing		
Net weight	10.9kg	11kg	
Product dimension (W × D × H)	448mm×525.6mm×42.5mm		
Package dimension (W × D × H)	765mm×615mm×185mm		
Optional power input	-36V— -72V DC		