

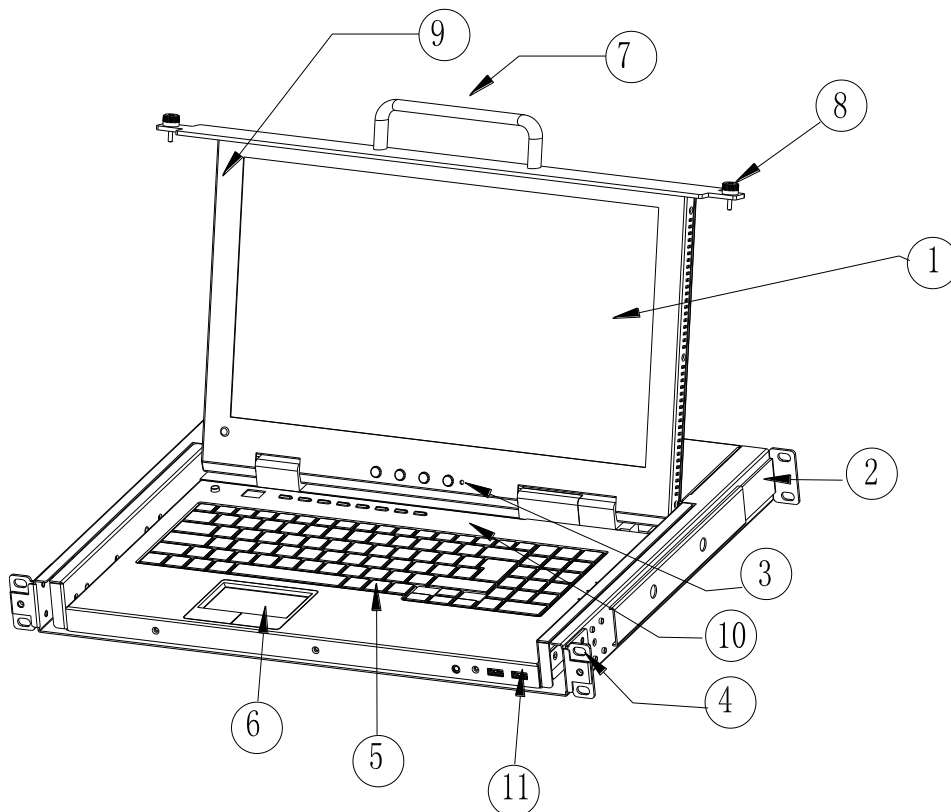
4 / 8 Port 15.6" FHD LCD KVM Console (XW1604 / XW1608)



Overview

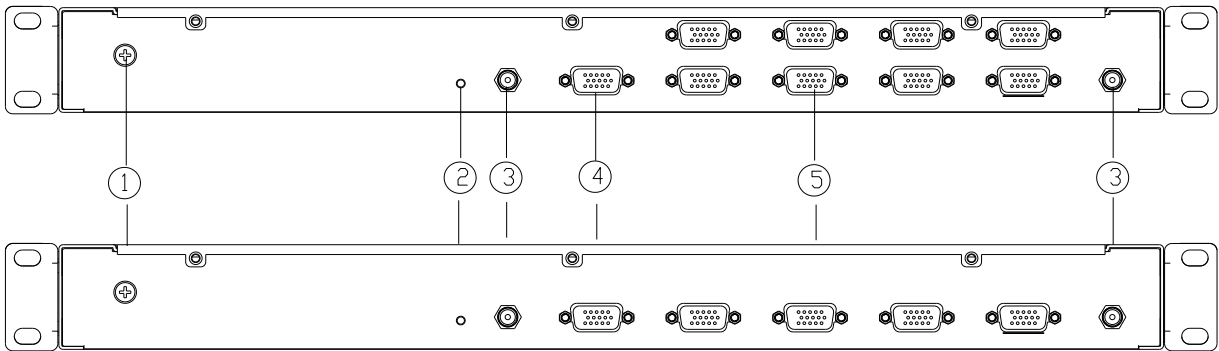
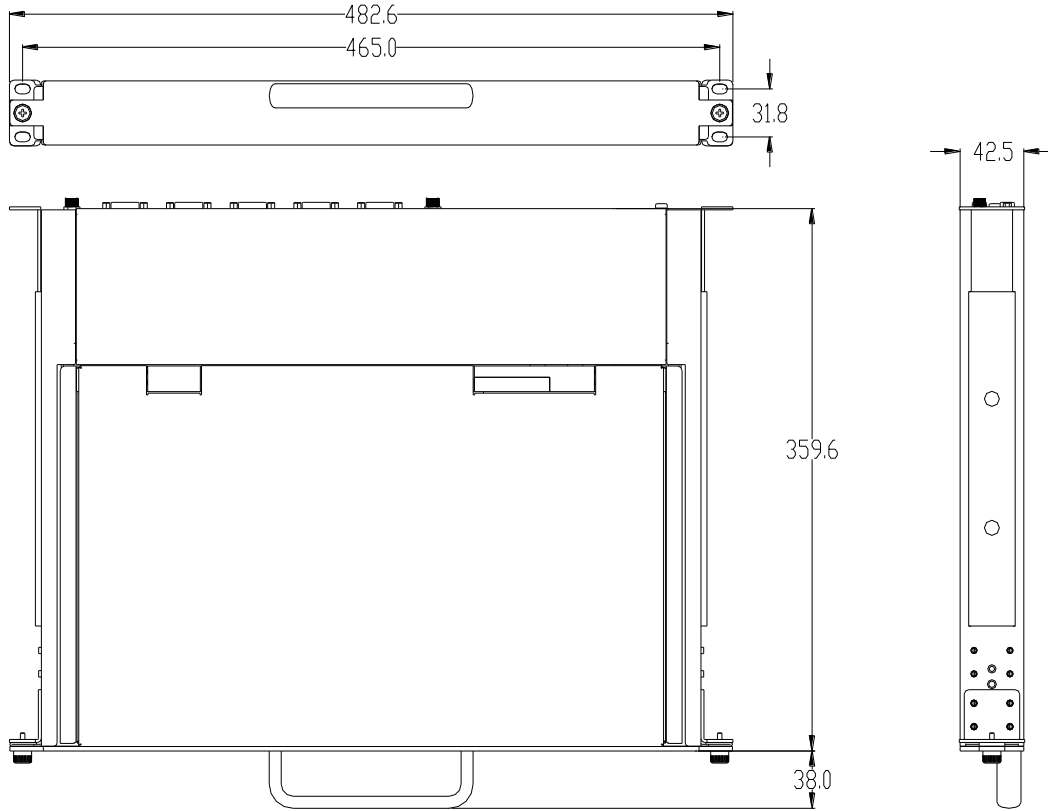
The XW1604 / XW1608 1U rackmount console is the ideal solution for ETC specialized rack, 5G rack, network specialized rack and standard server rack. Featuring an integrated 15.6" LCD display, full-99 key keyboard and touchpad, all in a 1U rack mountable housing, it supports the shortest mounting depth: 360mm. It also features a dual power supply redundancy, largely improve the work efficiency of the whole KVM and server system.

It is easy and fast to install the KVM console; you just need to connect corresponding cables to the right ports of KVM and its module without software configuration. This console is designed with two anti-vibration fixing screws on the front panel to prevent the console during transportation and operating.



1 LCD Monitor	7 Handle
2 Rear Bracket	8 Fixing Screw
3 Display Menu Buttons	9 Display Panel
4 Mounting Bracket	10 Port Selection Buttons
5 Keyboard	11 Front USB Port
6 Touchpad	

Structure

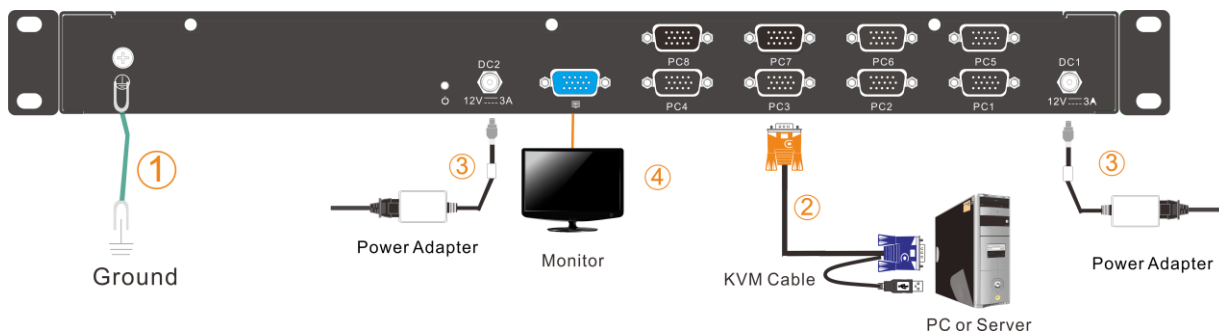


1	Ground Connection Screw	4	Console Port
2	Power LED indicator	5	PC Port
3	Power input(AC)		

Features

- 15.6" FHD LCD display, 99-key keyboard, touchpad
- Constructed of heavy-duty steel in a 1U housing
- Short depth: 360mm
- High resolution and high flexibility with touchpad; with two function buttons and scroll wheel
- Dual power supply redundancy design
- A single USB console controls up to 4 or 8 computers
- Supports computers USB keyboard and mouse
- Auto PS/2 and USB interface detection
- Two level password security – support 1 administrator user and up to four users, only administrator user can give user the right to access and view the server.
- Broadcast mode – operations simultaneously performed on all selected computers
- Multiplatform support – Windows, Linux, Mac and Sun
- Supports multimedia USB keyboard (PC, Mac and Sun)
- USB or PS/2 keyboard emulation – computer boot even the console focus is else where
- Convenient computer switching via front panel pushbuttons, hotkeys, OSD menu
- Auto scan feature for monitoring user-selected computers
- Hot pluggable – add or remove computers without having to power down the switch

Connection Diagram



Specifications

Model No.		XW1604	XW1608
Computer Connections	Direct	4	8
	Max	4	8
Port Emulation	Keyboard, Mouse	PS/2, USB	
LCD Monitor	LCD type	FHD TFT	
	View area	15.6 "	
	Optimum resolution	1920*1080@60Hz	
	Display color	16.2M	
	Brightness	250cd/m ² (T y p)	
	Contrast ratio	800: 1 (T y p)	
	Pixel pitch(mm)	0.17925(H) × 0.17925(V)	
Mouse	X/Y resolution	>1000 points /inch, (40 points/mm)	
	Scroll wheel	Supports scroll wheel function	
Keyboard	99 keys (82 keys main keyboard +17 independent small numeric keyboard)		
Port Selection	Pushbuttons, hotkeys, OSD menu		
Input Power	DC12V / 2A		
Power Consumption	9W	10W	
Operating Temperature	0 – 50 °C		
Storage Temperature	-20 – 60 °C		
Humidity	0 – 80% RH, non-condensing		
Net Weight	8.8kg	9kg	
Product Dimension (W × D × H)	448mm×360mm×42.5mm		
Package Dimension (W × D × H)	600mm×538mm×160mm		