

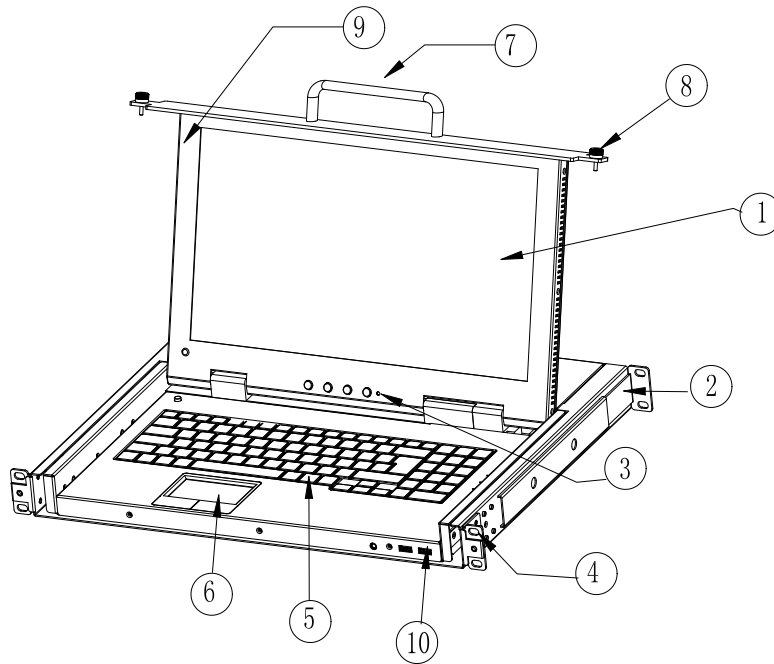
1U Short Depth Rack Mount 15.6" LCD KVM Console (XW1601)



Overview

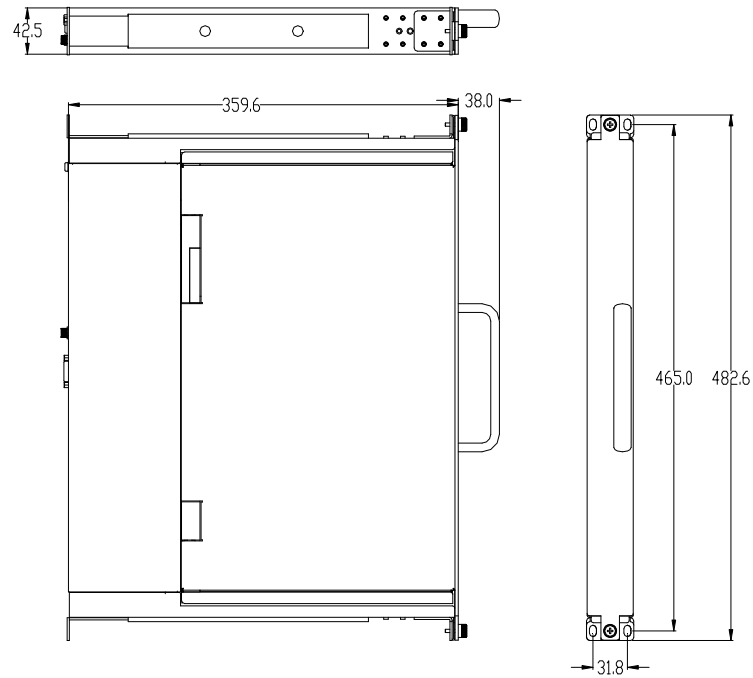
The XW1601 1U rackmount console is the ideal solution for ETC specialized rack, 5G rack, network specialized rack and standard server rack. Featuring an integrated 15.6" LCD display, full-99 key keyboard and touchpad, all in a 1U rackmount able housing, it supports the shortest mounting depth: 360mm. It also features a dual power supply redundancy, largely improve the work efficiency of the whole KVM and server system.

It is easy and fast to install the KVM console; you just need to connect corresponding cables to the right ports of KVM and its module without software configuration. This console is designed with two anti-vibration fixing screws on the front panel to prevent the console during transportation and operating.



1 LCD Monitor	6 Touchpad
2 Rear Bracket	7 Handle
3 Display Menu Buttons	8 Fixing Screw
4 Mounting Bracket	9 Display Panel
5 Keyboard	10 Front USB Port

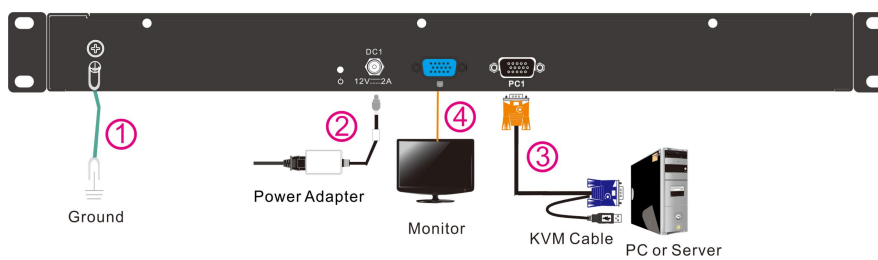
Structure



Features

- 15.6" FHD LCD display, 99-key keyboard, touchpad
- Rack-mountable in 1U system rack
- Short depth: 360mm
- Auto PS/2 and USB interface detection
- High resolution and high flexibility with touchpad; with two function buttons and scroll wheel
- Resolution is up to 1920 x 1080@60Hz
- Constructed of heavy-duty steel in a 1U housing
- Energy-saving LCD display, the screen automatically shut down when closing the LCD monitor.

Connection Diagram



Specifications

Model		XW1601
Computer connections	Direct	1
	Max	1
Port emulation	Keyboard, mouse	PS/2, USB
LCD monitor	LCD model	FHD TFT
	View area	15.6 "
	Optimum resolution	1920 x 1080@60Hz
	Display color	16.2M
	Brightness	250cd/m ² (T y p)
	Contrast ratio	800 : 1 (T y p)
	Pixel pitch(mm)	0.17925(H) × 0.17925(V)
Mouse	X/Y resolution	>1000 points /inch (40 points/mm)
	Scroll wheel	Supports scroll wheel function
Keyboard		99 keys (82 keys main keyboard +17 independent small numeric keyboard)
Input power		DC12V /2A
Power consumption		7W
Operating temperature		0—50 °C
Store temperature		-20—60 °C
Humidity		0—80% RH, non-condensing
Net weight		8.5kg
Product dimension (W ×D ×H)		448mm×360 mm×42.5mm
Package dimension (W× D× H)		600mm×538mm×160mm