

8 / 16 Port 19" VGA LCD KVM Console (XL1908 / XL1916)

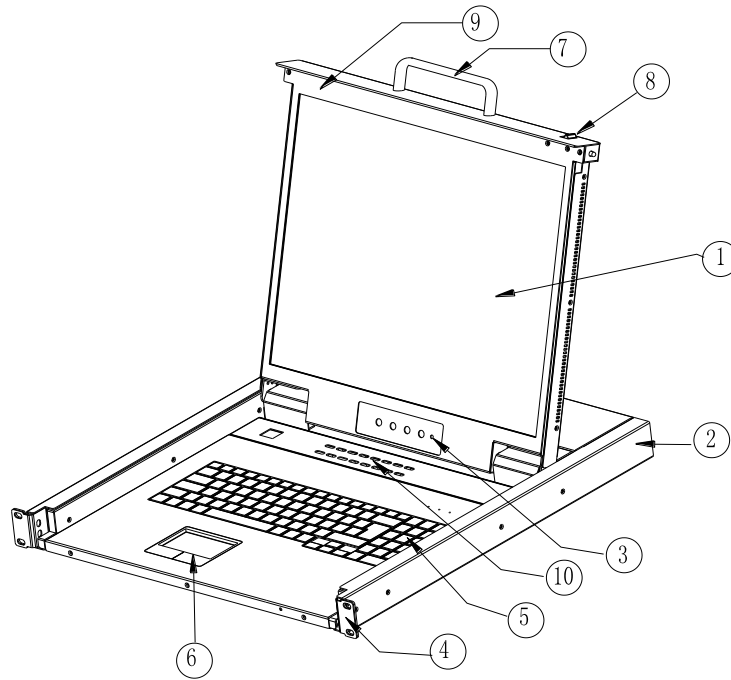


Overview

The Kinan's XL19 series VGA LCD KVM console features an integrated 19" LCD screen, keyboard and touchpad in a single console that occupies only 1U of rack space. It allows access and control up to 8/16 computers from a single console (keyboard, mouse and monitor). The number of connected computers can be increased up to 256/512 by daisy-chaining up to 31 XM0108 KVM Switches.

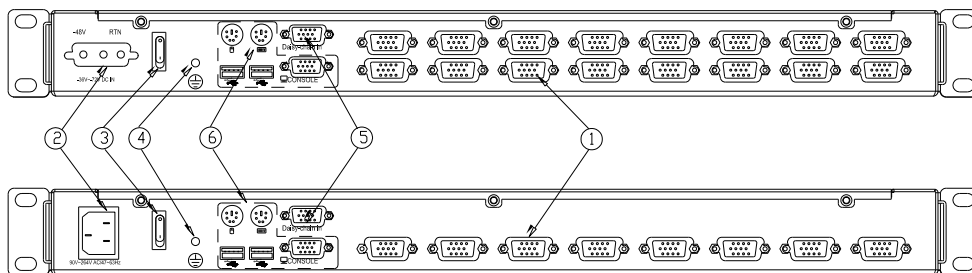
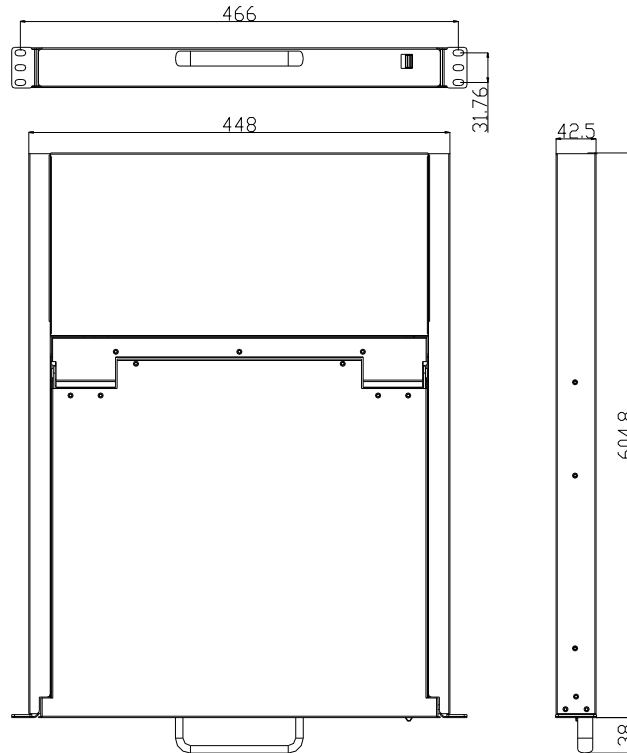
The XL19 series KVM switch has a built-in LCD monitor that supports resolution up to 1280x1024@60Hz. Switching between computers can be easily accomplished by front panel pushbuttons, keyboard hotkey combination or on-screen-display (OSD).

The LCD KVM switch supports USB connection for the computers. An extra HDB15 port allows an additional VGA monitor to be connected.



1	LCD Monitor	6	Touchpad
2	Rear Bracket Slot	7	Handle
3	Display Menu Buttons	8	Release Switch
4	Mounting Bracket	9	Display Panel
5	Keyboard	10	Port Selection Buttons

Structure



1	PC Port	4	Ground Connection Screw
2	Power input(AC)	5	Cascade port
3	Power switch	6	Console Port

Hardware Features

- Integrated KVM console with 19" LCD monitor, keyboard/touchpad and 8/16 port KVM switch in a 1U height console
- Standard VGA connection-Connect to a server or computer via standard VGA connectors
- LCD module can be opened up to 108 degrees to provide a comfortable viewing angle
- Support computers with USB and PS/2 keyboard and mouse

Management

- Convenient computer switching via front panel LEDs, keyboard hotkey combination or on-screen-display (OSD)
- Auto scan feature for monitoring user-selected computer
- Broadcast mode--operations simultaneously performed on all selected computers
- Hot pluggable --add or remove computers without having to power down the switch

- Quickly select your computer by naming the server or inputting SN number of the server
- On-Screen Display (OSD) adjustments-Adjust the on-screen image, including: auto adjust, exit, power on/off, brightness, and menu

High Resolution

- 19" TFT rackmount monitor with highlight, high definition and high resolution
- Optimum resolution is up to 1280 x 1024 @60Hz

Daisy-Chain Connection

- By daisy-chaining up to another 31 switches, as many as 256/512 servers can be controlled from a single console

Security

- Two level password security--only authorized users view and control computers
- Supports one administrator and four user accounts with a separate profile for each

High Performance Touchpad

- Touchpad with scroll wheel - Eliminates the need for a separate, external mouse

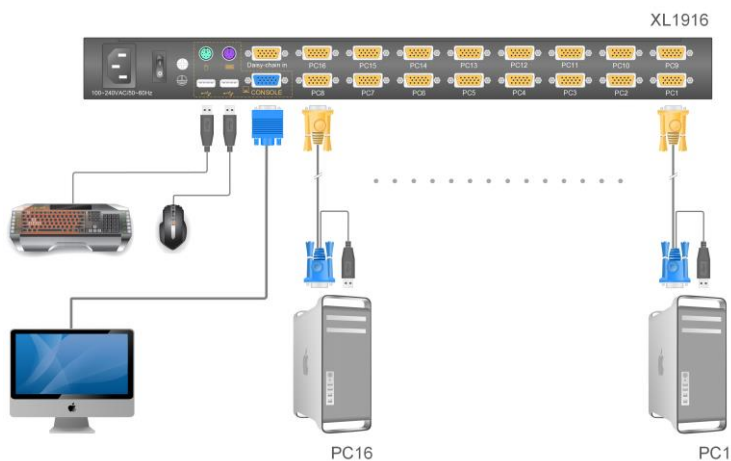
Keyboard

- Multi-language support--English, Russian, German, French, UK and Spanish, etc.
- Full size 99 keys keyboard with integrated number pad

Wide Compatibility

- Multiplatform Support-Compatible with Windows, Sun, Unix and Linux
- Supports servers form Lenovo, HUA WEI, HP, IBM, Cisco and Dell, etc.

Connection Diagram



Package Contents

- 1x LCD Console
- 1x Power Cord (Regional)
- 1x Quick Start Guide
- 2x Mounting Rails
- 8/16x USB+VGA KVM Cable (1.8m/6ft)

Specifications

Model		XL1908	XL1916
Computer connections	Direct	8	16
	Max	256	512
Port emulation	Keyboard, mouse	PS/2, USBs	
LCD Monitor	LCD Model	SXGA TFT	
	View Area	19"	
	Optimum Resolution	1280×1024@60Hz	
	Display Color	16.7 M	
	Brightness	250cd/m ² (T y p)	
	Contrast Ratio	1000: 1 (T y p)	
Mouse	Pixel Pitch(mm)	0.2928(H) × 0.2928(W)	
	X/Y Resolution	>1000 points /inch, (40 points/mm)	
	Touchpad	Eliminates the need for an external mouse	
Keyboard		99 keys (82 keys main keyboard +17 independent small numeric keyboard)	
Port Selection		Pushbuttons, hotkeys, OSD menu	
Input Power		100V – 240Vac, 50 ~ 60Hz, <1.5A	
Power Consumption		21W	23W
Operating Temperature		0 – 50°C	
Store Temperature		-20 – 60°C	
Humidity		0 – 80% RH, non-condensing	
Net Weight		13.5kg	13.7kg
Product Dimension (W × D × H)		448mm×605mm×42.5mm	
Package Dimension (W × D × H)		765mm×615mm×185mm	
Optional Power input		-36V— -72V DC	