

19" 4 Port VGA LCD KVM Console (XL1904)

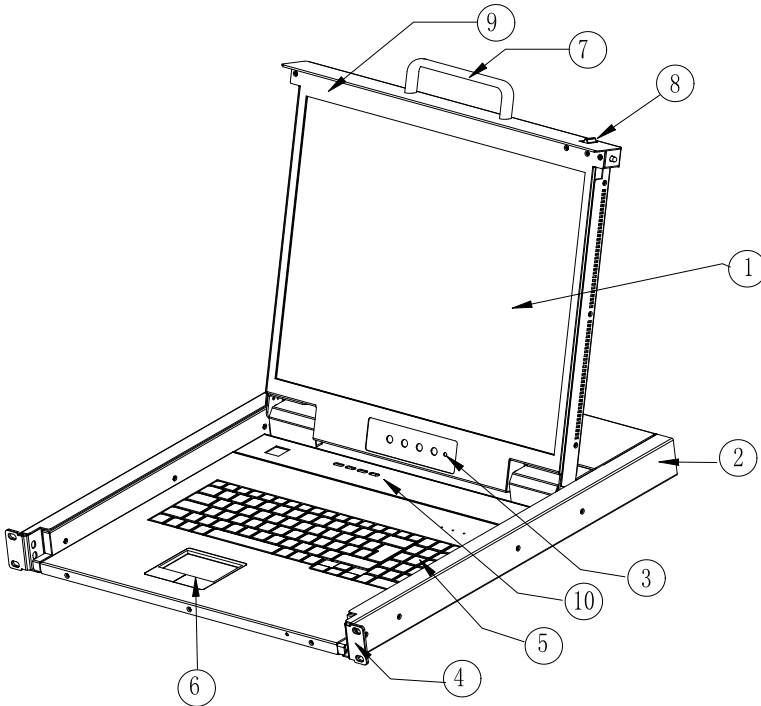


Overview

The Kinan's XL1904 KVM console features an integrated 19" LCD screen, keyboard and touchpad in a single console that occupies only 1U of rack space. It allows access and control up to 4 computers from a single console (keyboard, mouse and monitor). The number of connected computers can be increased up to 128 by daisy-chaining up to 31 KVM Switches.

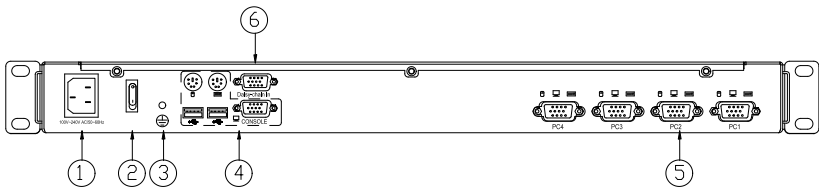
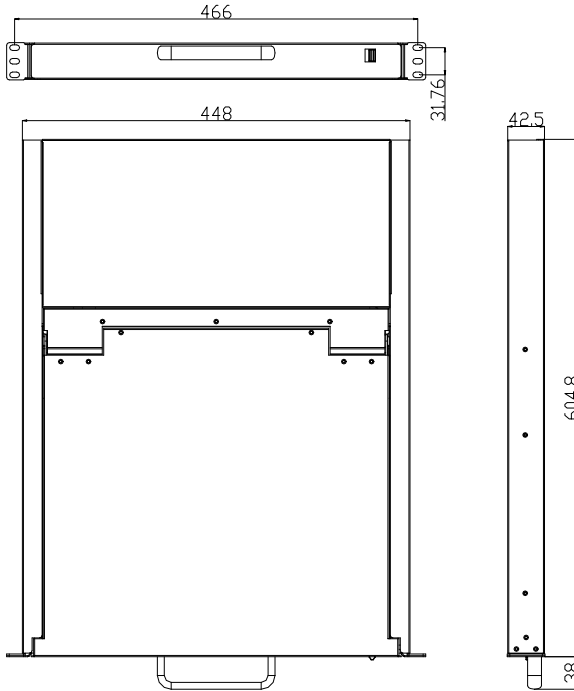
The XL1904 KVM switch has a built-in LCD monitor that supports resolution up to 1280x1024@60Hz. Switching between computers can be easily accomplished by front panel pushbuttons, keyboard hotkey combination or on-screen-display (OSD).

The LCD KVM switch supports USB connection for the computers. An extra HDB15 port allows an additional VGA monitor to be connected.



- | | |
|----------------------|------------------|
| 1. LCD Module | 6. Touchpad |
| 2. Rear Bracket Slot | 7. Handle |
| 3. LED OSD Controls | 8. Release Catch |
| 4. Front Bracket | 9. Display panel |
| 5. Keyboard | 10. Switch LED |

Structure



1. Power input (AC)
2. Power switch
3. Ground connection screw
4. Console port
5. PC port: 4 port(integrating VGA/keyboard/mouse input port)
6. Cascade port

Hardware Features

- Integrated KVM console with 19" LCD monitor, keyboard/touchpad and 4 port KVM switch in a 1U height console
- Standard VGA connection-Connect to a server or computer via standard VGA connectors
- LCD module can be opened up to 108 degrees to provide a comfortable viewing angle
- Support computers with USB and PS/2 keyboard and mouse

Management

- Convenient computer switching via front panel LEDs, keyboard hotkey combination or on-screen-display (OSD)
- Auto scan feature for monitoring user-selected computer
- Broadcast mode--operations simultaneously performed on all selected computers
- Hot pluggable --add or remove computers without having to power down the switch
- Quickly select your computer by naming the server or inputting SN number of the server
- On-Screen Display (OSD) adjustments-Adjust the on-screen image, including: auto adjust, exit, power on/off, brightness, and menu

High Resolution

- 19" TFT rackmount monitor with highlight, high definition and high resolution
- Optimum resolution is up to 1280 x 1024 @60Hz

Daisy-Chain Connection

- By daisy-chaining up to another 31 switches, as many as 128 servers can be controlled from a single console

Security

- Two level password security--only authorized users view and control computers
- Supports one administrator and four user accounts with a separate profile for each

High Performance Touchpad

- Touchpad with scroll wheel - Eliminates the need for a separate, external mouse

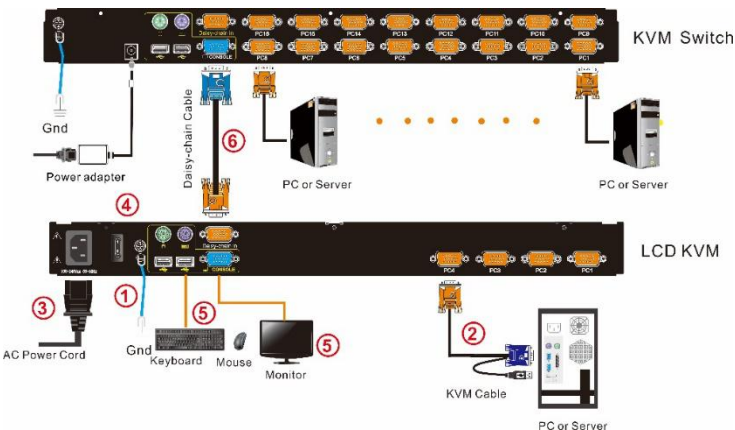
Keyboard

- Multi-language support--English, Russian, German, French, UK and Spanish, etc.
- Full size 99 keys keyboard with integrated number pad

Wide Compatibility

- Multiplatform Support-Compatible with Windows, Sun, Unix and Linux
- Supports servers form Lenovo, HUA WEI, HP, IBM, Cisco and Dell, etc.

Connection Diagram



Specifications

Model		XL1904
Computer connections	Direct	4
	Max	128
Port emulation	Keyboard, mouse	PS/2, USB
LCD monitor	LCD model	SXGA TFT
	View area	19"
	Optimum resolution	1280×1024@60Hz
	Display color	16.7 M
	Brightness	250cd/m ² (T y p)
	Contrast ratio	1000 : 1 (T y p)
	Pixel pitch(mm)	0.294(H) × 0.294(W)
Mouse	X/Y resolution	>1000 points /inch,(40 points/mm)
	Roll wheel	Supports scroll wheel function
Keyboard		99 keys (82 keys main keyboard +17 independent small numeric keyboard)
Port selection		Front panel pushbuttons, hotkeys, OSD menu
Input power		100V- 240Vac , 50-60Hz , <1.5A
Power consumption		20W
Operating temperature		0—50 °C
Store temperature		-20—60 °C
Humidity		0—80% RH, non-condensing
Net weight		13.4kg
Product dimension (W × D × H)		448mm×605mm×42.5mm
Package dimension (W × D × H)		765mm×615mm×185mm