

Rackmount KVM Console User Manual



www.kinankvm.com

@all right reserved Shenzhen Kinan Technology Co., Ltd

Print date: 2022 / 03

Version: V2.1

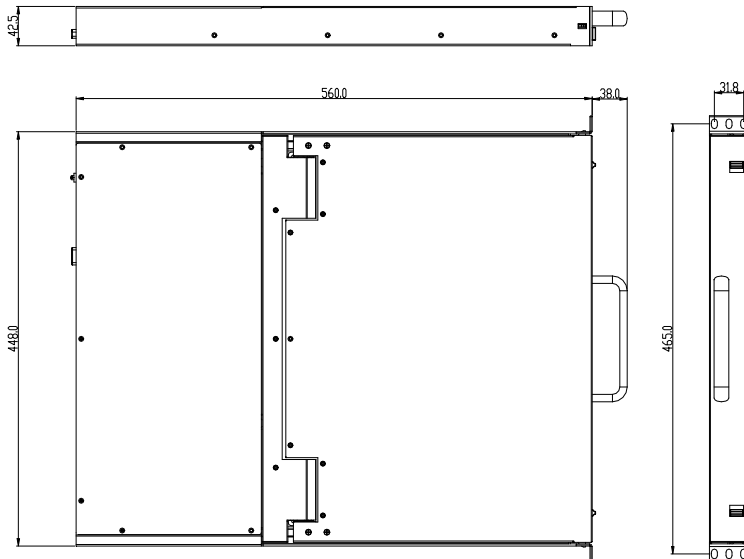
Description

Single port console integrates the monitor, keyboard and mouse in a 1U height device, it can be installed in a standard 19" rack. It can connect one computer to control the monitor, keyboard and mouse.

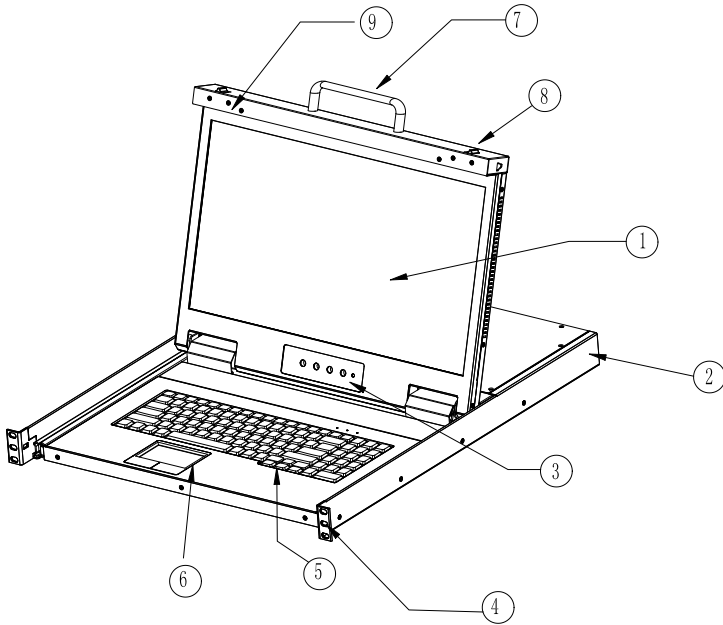
Features

- 3 in 1 LCD console integrating the monitor, keyboard and mouse.
- Directly connect computer or KVM switch to control single or multiple computers.
- 18.5 LCD monitor with high brightness, high definition and high resolution.
- Ultra-slim keyboard with 99 keys (82+17) .
- Standard PS/2 touchpad.
- With release catch in front panel.
- Automatic-locking guide rail

Appearance



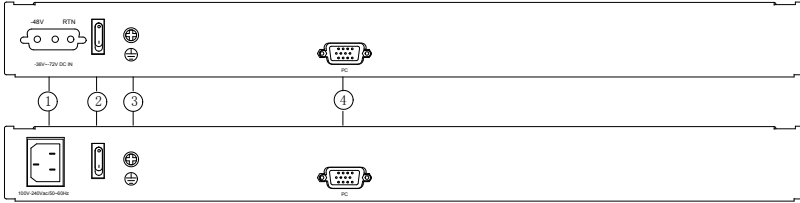
1-1 appearance

Front View

1-2 front view

- 1 LCD Monitor
- 2 Rear Bracket Slot
- 3 Display Menu Buttons
- 4 Mounting Bracket
- 5 Keyboard
- 6 Touchpad
- 7 Handle
- 8 Release Switch
- 9 Display Panel

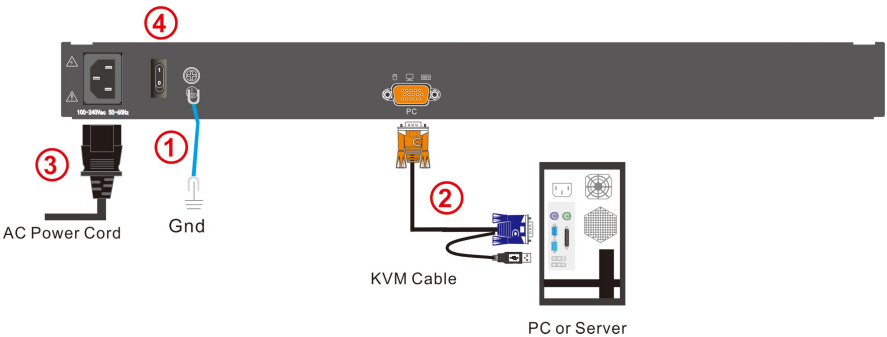
Back View



1-3 back view

- 1 Power input (AC or DC)
- 2 Power Switch
- 3 Ground connecting screw
- 4 PC connection port: integrating VGA, keyboard and mouse signal

Cable Connection



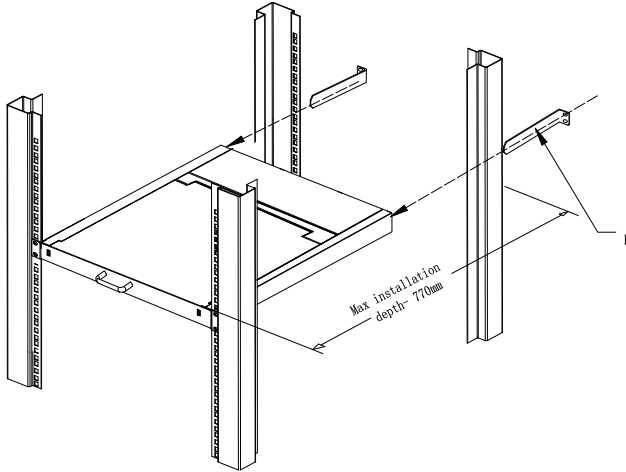
1-4 cable connection

To ensure signal integrity and simplify cable layout, we strongly recommend you use high quality cables with different length as shown in above table.

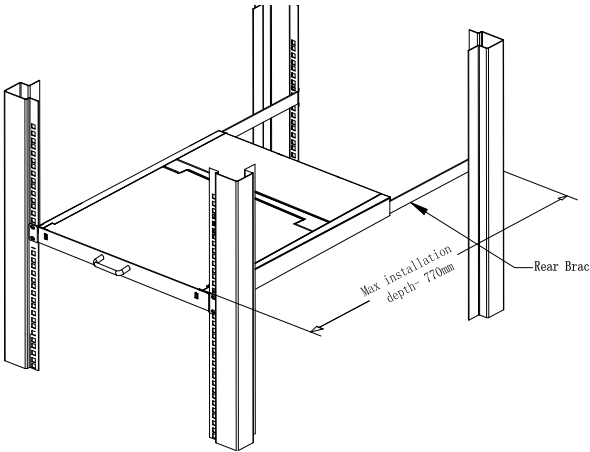
Rack Mounting

A standard rack mounting kit is provided to mount the switch in a depth of 686-770mm in a standard 19" rack. For other mounting distance, the rear brackets need to be customized accordingly

With one person hold the switch in place and the other person slides the L bracket into the switch's side mounting brackets from the front to the back, then screws the brackets to the rack. (see below installation drawing)



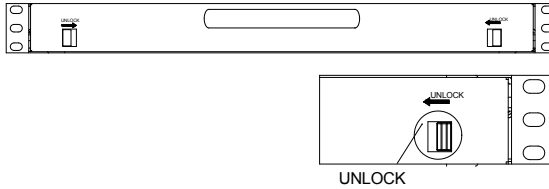
2-1 rack mounting



2-2 rack mounting

Opening the Console

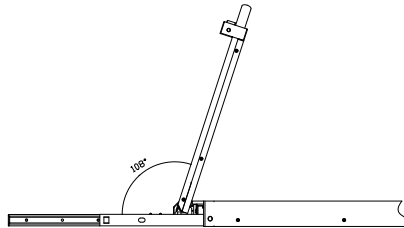
- Power on the KVM after connecting cables.
- Power on the server or PC after power on the KVM.
- Release the release catch.



2-3 unlocking

****Note: The release catch can only do horizontal locking, it can't bear any load.***

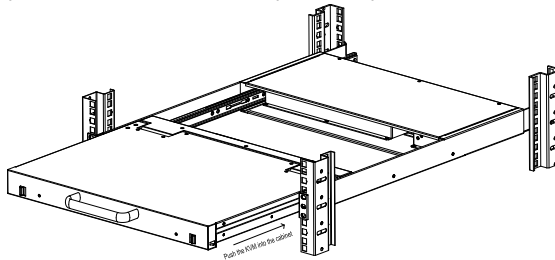
- Pull the KVM console all the way out and the slide rail automatically locked to its place.
- Rotate the LCD panel all the way back to expose the LCD screen; the LCD module can be rotated up to 108°.



2-4 open angel of the console

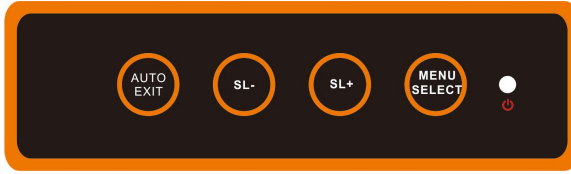
Closing the Console

- Close the console and the power automatically shut down.
- Push the release catch in the direction of the arrow, push the LED panel all the way in until it automatically locks up.



2-5 unlocking the slide rail

Operating the Monitor



3-1 Operating the Monitor

The LED OSD allows you to set up and configure the LED display.

Buttons	Functions
MENU SELECT	Brings up the main menu.
EXIT/AUTO	Exits the current menu and returns to the previous menu or exits the LED OSD. Press AUTO for automatic configuration.
SL-/SL+	Moves the menu to make corresponding adjustment.
LED state	Green: Running Red: Power off or access nonstandard VESA signal Flashing green: Energy saving mode or no signal

Press AUTO if the screen migrates after power on or under other circumstances, then the screen auto-configures to its best display state.

Note:

- *It may not be adjusted to its best state if part of the display mode is not standard VESA mode. If so, return back to OSD menu to RESET, then it will revert back to normal.*
- *It is recommended to set up the display mode at 1920×1080, refresh rate at 60Hz.*

Specifications

Model		SW1801
Computer Connections	Direct	1
	Max	1
Port emulation	Keyboard, mouse	PS/2, USB
LCD monitor	LCD model	FHD TFT
	View area	18.47"
	Optimum resolution	1920×1080@60Hz
	Display color	16.7 M
	Brightness	250cd/ m ² (T y p)
	Contrast ratio	1000: 1 (T y p)
	Pixel pitch(mm)	0.213(H) ×0.213(W)
Mouse	X/Y resolution	>1000 points / inch, (40 points/mm)
	Scroll wheel	Support scroll wheel function
Keyboard		99 keys (82 keys main keyboard +17 independent small numeric keyboard)
Input power		100V-240Vac, 50-60Hz, <1.5A
Power consumption		20W
Mounting distance		686-770mm (L=262mm) Mounting bracket can be customized for Other mounting distance
Operating temperature		0—50 °C
Store temperature		-20—60 °C
Humidity		0—80% RH, non-condensing
Net weight		11.2kg
Product dimension (W× D×H)		448mm×560mm×42.5mm
Package dimension (W× D×H)		765mm×615mm×185mm
Optional power input		-36V— -72Vdc