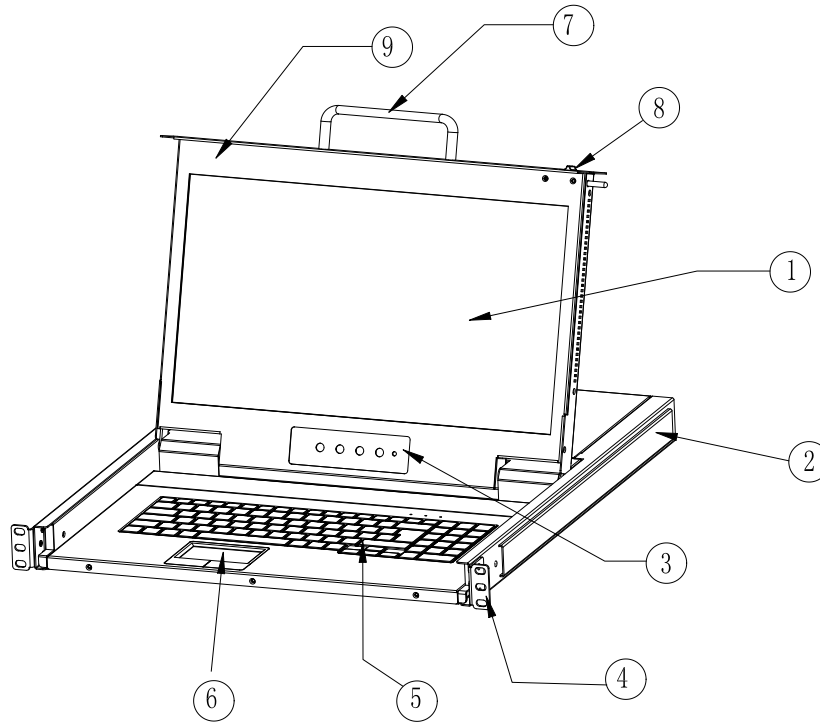


17.3" 1 Port Full HD LCD Console (SW1701)



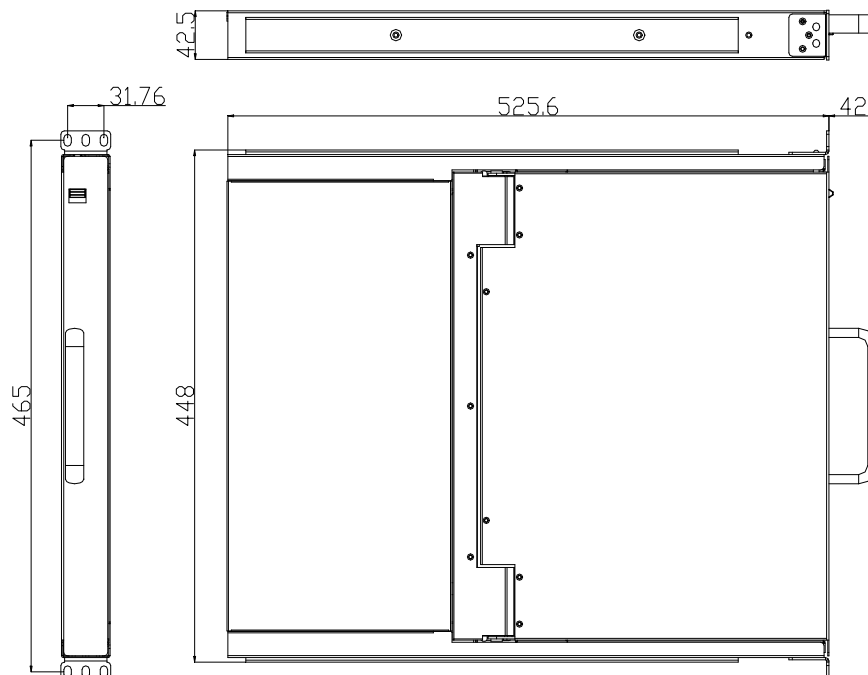
Overview

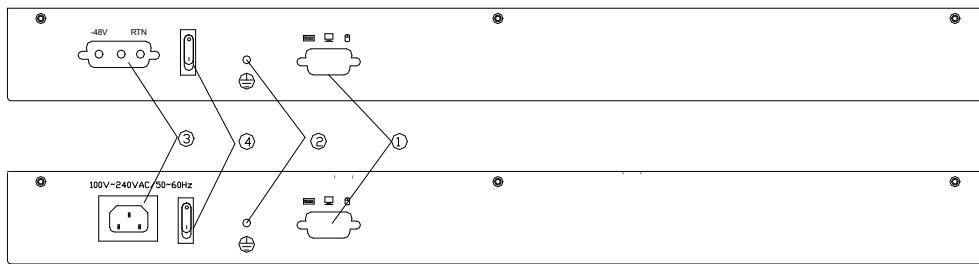
The SW1701 Full HD 1 port LCD console integrates the monitor, keyboard and mouse in a 1U device; it fits for installed in a standard 19" rack. It can connect one computer to control the monitor, keyboard and mouse.



1	LCD Monitor	6	Touchpad
2	Rear Bracket Slot	7	Handle
3	Display Menu Buttons	8	Release Switch
4	Mounting Bracket	9	Display Panel
5	Keyboard		

Structure



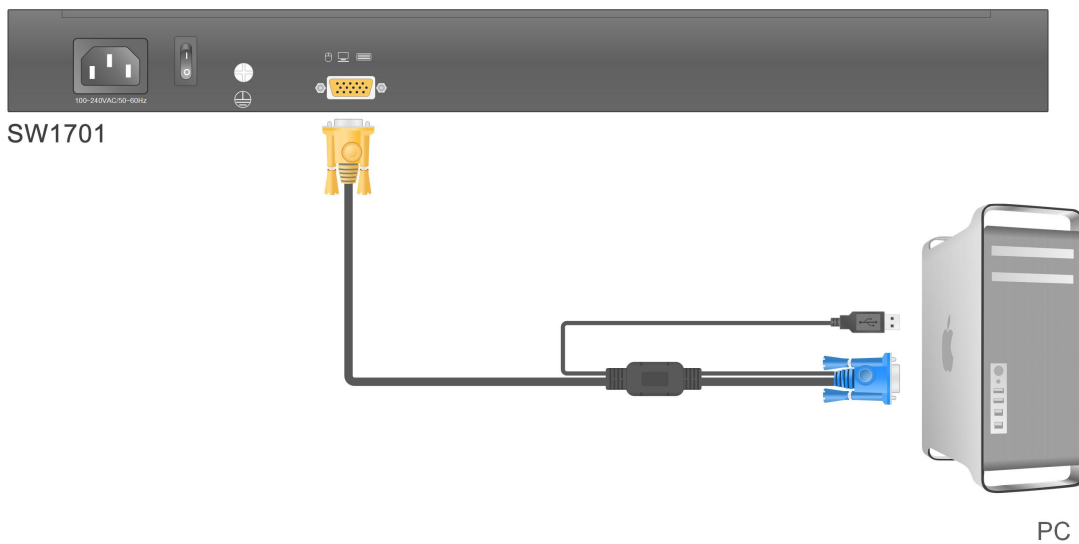


1	PC Port	3	Power input(AC or DC)
2	Ground Connection Screw	4	Power switch

Features

- 3 in 1 LCD console integrates the monitor, keyboard and mouse.
- The HD console can be connected to a PC or a KVM switch to control and manage single / multiple PCs.
- 17.3" full HD monitor with high brightness, high definition and high resolution.
- Ultra-slim keyboard with 99 keys and numeric keypad
- Standard PS/2 emulation
- Automatically lock up with the front panel lock latch
- Compact steel construction and high-quality hand-protection sliding rails

Connection Diagram



Package Contents

- 1x LCD Console
- 1x Power Cord (Regional)
- 1x Quick Start Guide
- 2x Mounting Rails
- 1x USB+VGA KVM Cable (1.8m/6ft)

Specifications

Model		SW1701
Computer Connections	Direct	1
	Max	1
Port emulation	Keyboard, mouse	PS/2, USB
LCD monitor	LCD model	FHD TFT
	View area	17.3"
	Optimum resolution	1920×1080@60Hz
	Display color	262K
	Brightness	300cd/m ² (T y p)
	Contrast ratio	800: 1(T y p)
	Pixel pitch(mm)	0.1989(H) × 0.1989(W)
Mouse	X/Y resolution	>1000 points / inch, (40 points/mm)
	Touchpad	Eliminates the need for an external mouse
Keyboard		99 keys (82 keys main keyboard +17 independent small number pad)
Input power		100V – 240Vac, 50 ~ 60Hz, <1.5A
Power consumption		11W
Operating temperature		0 – 50 °C
Storage temperature		-20 – 60 °C
Humidity		0 – 80% RH, non-condensing
Net weight		10.5 kg
Product dimension (W × D × H)		448mm×525.6mm×42.5mm
Package dimension (W × D × H)		765mm×615mm×185mm
Optional power input		-36V– -72Vdc