

# DVI KVM Switch

(8 Port / 16 Port)

## User Manual



[www.kinankvm.com](http://www.kinankvm.com)

@all right reserved Shenzhen Kinan Technology Co., Ltd.

Printing date: 2022/08

Version: V1.3

## Overview

### Descriptions

DVI KVM switch is a control device which controls multiple computers from a single console (keyboard, video and mouse). It is easy and fast to install the KVM switch, you just need to connect corresponding cables to the right ports of the KVM. Since the KVM directly get the signal input from the keyboard and mouse, there is no software setup or other complex installation, so no worry about compatibility.

### Features

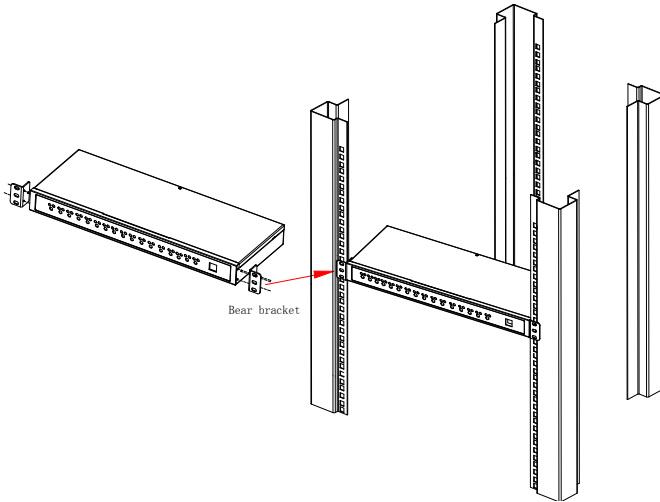
- Control 8 / 16 pcs DVI computers from a single console
- Fit for standard 19" rack mounting
- Fully complied with HDCP
- Multi-platform Support-Compatible with Windows, Sun, Unix and Linux
- Support wireless keyboard and mouse from different suppliers
- Convenient computer switching via front panel pushbuttons, hotkeys or mouse
- Complete keyboard & mouse emulation for error-free booting.
- Auto scan feature for monitoring user-selected computers
- Broadcast mode – operations simultaneously performed on all selected computers
- Support hot-plugging

## Hardware Installation

### Rack Mounting

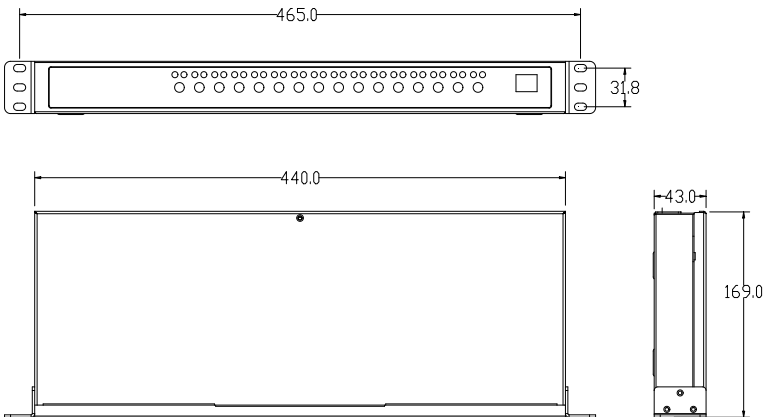
Make sure all the computers and external device are shut down before installation.

Put the KVM switch in place, screw the brackets to the two sides of the KVM to install the KVM in the standard 19" rack. Pay attention to the cable length, to keep a certain distance between the KVM and the computer.

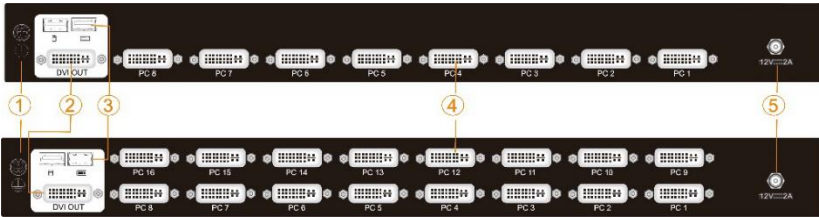


App

### Appearance



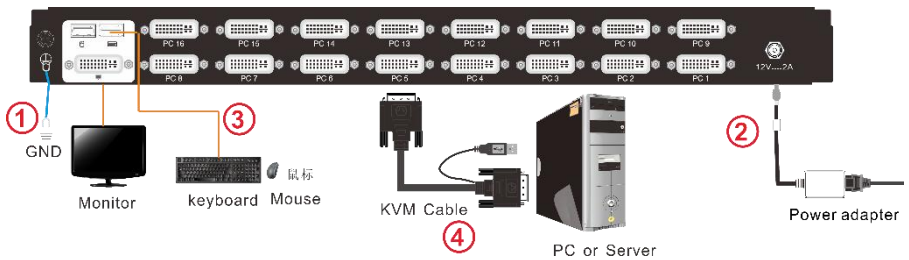
Rear View



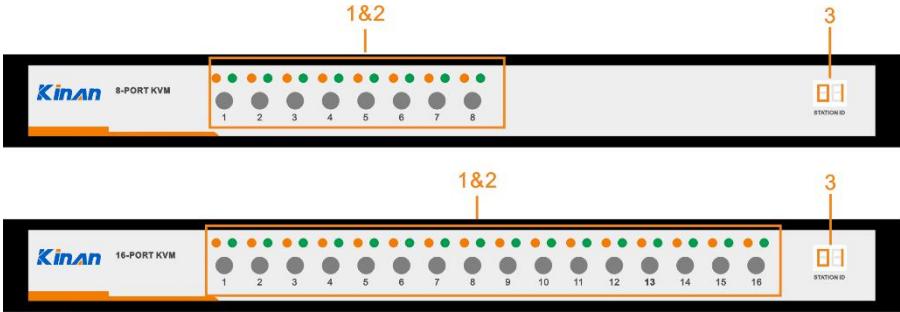
No.	Instruction
1	Grounded Screw
2	Console DVI port
3	Console USB port (keyboard, Mouse)
4	KVM Port
5	Power adapter socket

Installation Diagram

- Make sure the KVM has been connected to the ground(①)
- Connect the power adapter to KVM(②)
- Connect Screen, keyboard, mouse to local CONSOLE(③)
- Connect PC and KVM with HDMI cable(④)
- Power on the pc and switch to start to use it



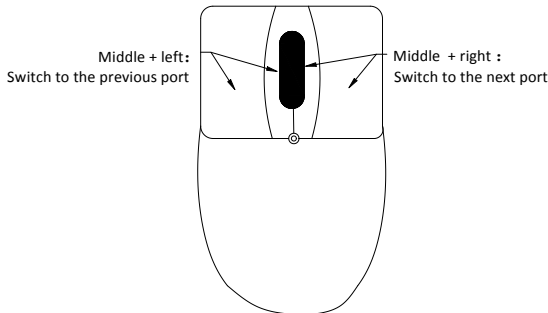
**LED Instructions**



No.	Components	Function
1	1-8 or 1-16	1)Switching freely from port 1 to port 8/16
2	Port Selection Buttons& LEDs	1) An online LED light(orange) indicates that the KVM has connected to its corresponding computer and power on. 2) A selected LED light(green) indicates that the computer attached to its corresponding port is up and running.
3	Port ID	It shows the current Port

**Mouse Switching**

1. Click the mouse [middle button] and [left button] to switch the previous ( ↑ ) port.
2. Click the mouse [middle button] and [right button] to switch to the next ( ↓ ) port



**Hotkey Operation**

Double click **【Scroll Lock】** (in 2 seconds) , when you heard the beep sound, you are in hotkey mode. If there are no any operations in Hotkey Mode in 2 second, keyboard out hotkey mouse.

Hotkey commands are as follows:

Double click **【Scroll Lock】** + the corresponding function key

Operating	Function description
<b>【Scroll-Lock】 + 【Scroll-Lock】</b> + <b>【1~8】</b>	Switch from port 1- 8
<b>【Scroll-Lock】 + 【Scroll-Lock】</b> + <b>【F1-F8】</b>	Switch from port 9 – 16
<b>【Scroll-Lock】 + 【Scroll-Lock】</b> + <b>【↑ / ↓】</b>	Switch to previous or next port
<b>【Scroll-Lock】 + 【Scroll-Lock】</b> + <b>【S】</b>	Scan all ports automatically (default interval: 5s) 1. Press <b>【+】</b> add 5s (Max: 30S) 2. Press <b>【-】</b> reduce 5s (Min: 5S) 3. Move mouse to extend the scan time 4. Press <b>【Esc】</b> to exit auto scan
<b>【Scroll-Lock】 + 【Scroll-Lock】</b> + <b>【Z】</b>	On/Off Beeper
<b>【Scroll-Lock】 + 【Scroll-Lock】</b> + <b>【M】</b>	On/Off mouse switch function
<b>【Scroll-Lock】 + 【Scroll-Lock】</b> + <b>【B】</b>	Under broadcast mode, the computer keyboard and mouse can be operated synchronously.
<b>【Scroll-Lock】 + 【Scroll-Lock】</b> + <b>【F】</b>	Default hotkey mode: <b>【Scroll Lock】</b> Hotkey cycling mode: <b>【L_Ctrl】</b> --> <b>【Caps Lock】</b> --> <b>【F12】</b> --> <b>【Scroll Lock】</b>
<b>【Scroll-Lock】 + 【Scroll-Lock】</b> + <b>【R】</b>	Restore to the original factory setting

**Specification**

Model No.		RDV108	RDV116
Computer Connection		8	16
Port Selection		Pushbutton, Hot key	
Connector	Console	Monitor	1x DVI-I
		Keyboard/Mouse	2x USB type A
	KVM	8x DVI-I	16x DVI-I
Switch	Port Selection	8x buttons	16x buttons
LEDs	Online	8 (orange)	16 (orange)
	Selected	8 (green)	16 (green)
	Port Display	2x 7-Segment (orange)	
Power Input		DC12V / 2A	
Resolution		1920 x 1080@60Hz	
Power Consumption		5W	7W
Simulation	Keyboard / Mouse	USB	
Environment Required	Operating Temperature	0-50°C	
	Storage Temperature	-20-60°C	
	Humidity	0-80%RH, Non-condensing	
Physical Features	Material	Metal	
	Weight	2.2kg	2.4kg
	Dimension	440 x 169 x 43mm	