

# Rackmount 8 / 16 Port DVI KVM Switch ( RDV108 / RDV116 )



## Overview

The RHD108 / RHD116 8/16-port USB DVI KVM Switch is a control device that support access and control up to 8/16 DVI computers from a single USB keyboard, USB mouse, and monitor console. Resolution is up to 1920 x 1080@60Hz.

It's easy to set up the RDV108 / RDV116 USB DVI KVM switch, just plug the cable into the appropriate port, no software needed to be set up, no complicated installation procedures are involved, and no compatibility issues needed to be considered.

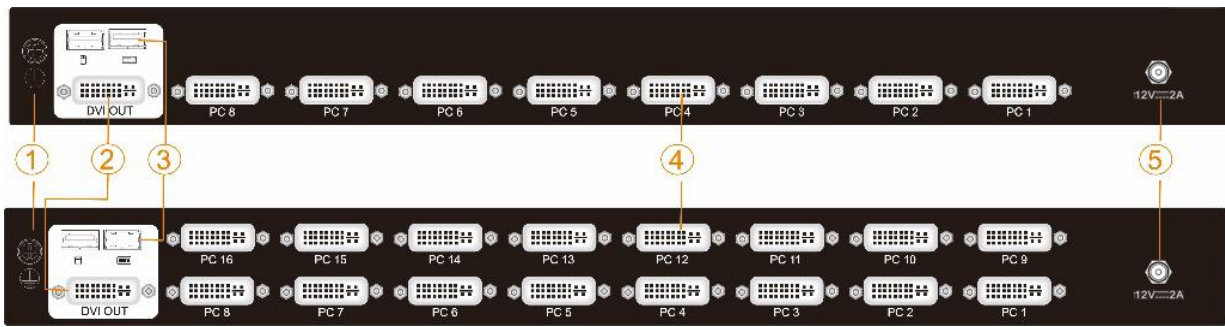
## Structure



## Features

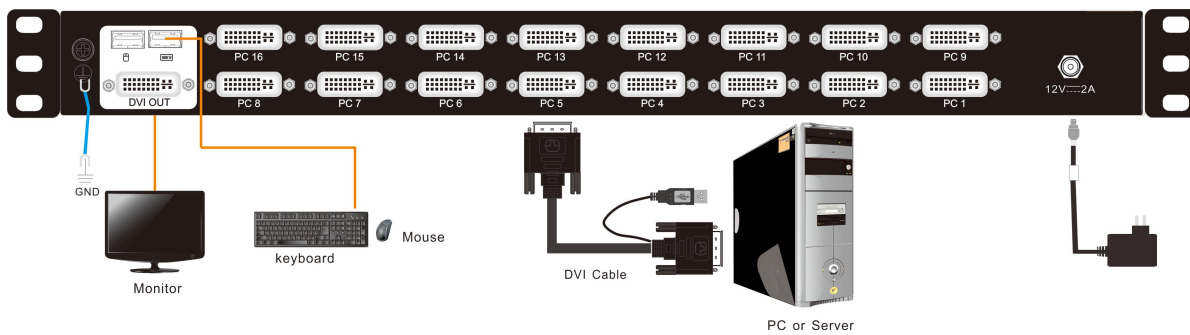
- Control 8 / 16 pcs DVI computers from a single console
- Fit for standard 19" rack mounting
- Fully complied with HDCP
- Multi-platform Support-Compatible with Windows, Sun, Unix and Linux
- Support wireless keyboard and mouse from different suppliers
- Convenient computer switching via front panel pushbuttons, hotkeys or mouse
- Complete keyboard & mouse emulation for error-free booting.
- Auto scan feature for monitoring user-selected computers
- Broadcast mode – operations simultaneously performed on all selected computers
- Support hot-plugging

## Connector



No.	Instruction
1	Grounded Screw
2	Console USB Port
3	DVI Console Port
4	PC Port
5	Power Socket

## Connection Diagram



## Specifications

Model No.		RDV108	RDV116
Computer Connection		8	16
Port Selection		Pushbutton, Hot key	
Connector	Console	Monitor	1x DVI-I
		Keyboard/Mouse	2x USB type A
	KVM	8x DVI-I	16x DVI-I
Switch	Port Selection	8x buttons	16x buttons
LEDs	Online		8 (orange)      16 (orange)
	Selected		8 (green)      16 (green)
	Port Display		2x 7-Segment (orange)
Power Input		DC12V / 2A	
Resolution		1920 x 1080@60Hz	
Power Consumption		5W	7W
Simulation	Keyboard / Mouse	USB	
Environment Required	Operating Temperature		0-50°C
	Storage Temperature		-20-60°C
	Humidity		0-80%RH, Non-condensing
Physical Features	Material		Metal
	Weight		2.2kg      2.4kg
	Dimension		440 x 169 x 43mm