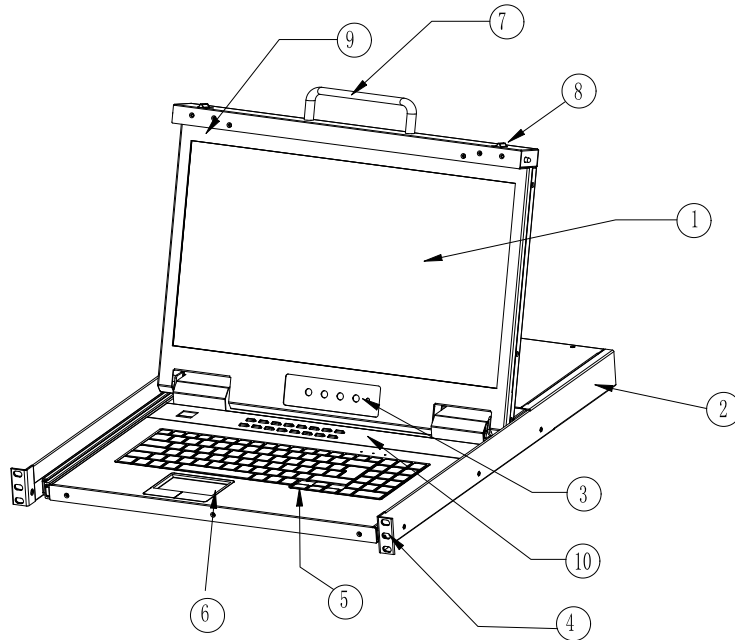


18.5" 1U Widescreen Rackmount KVM Console (LS1801)



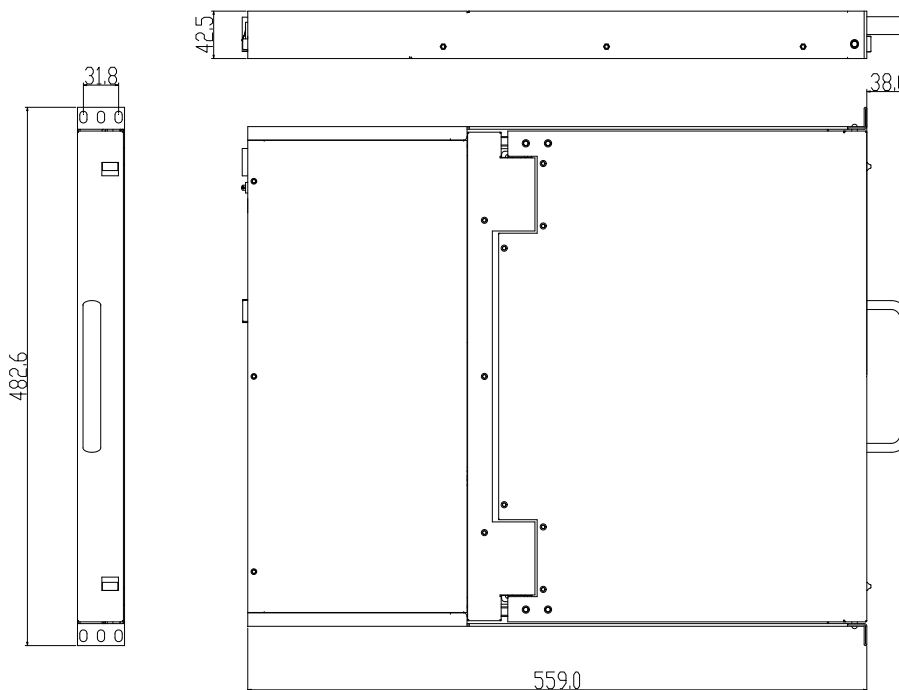
Overview

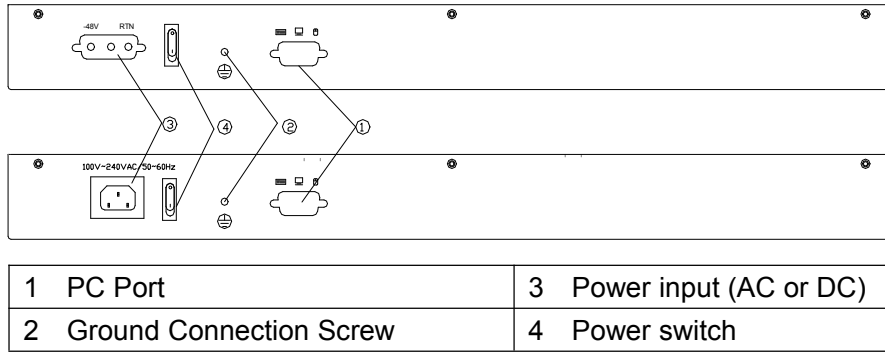
The Kinan's LS1801 is a rack mount LCD KVM Console that features an integrated 19" LCD monitor, full keyboard and touchpad in a 1U compact design. The included cable allows for connection to a USB/PS2 computer or a KVM switch. The LS1801 supports resolution up to 1366x768@60Hz.



1 LCD Monitor	6 Touchpad
2 Rear Bracket Slot	7 Handle
3 Display Menu Buttons	8 Release Switch
4 Mounting Bracket	9 Display Panel
5 Keyboard	

Structure

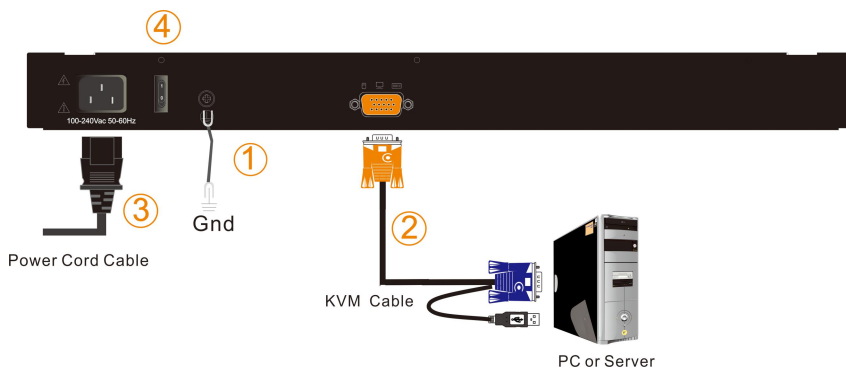




Features

- 3 in 1 LCD console integrates the monitor, keyboard and mouse.
- The LCD console can be connected to a PC or a KVM switch to control and manage single/multiple PCs.
- 18.5" TFT LCD monitor with high brightness, high definition and high resolution.
- Resolution is up to 1366x768@60Hz
- Ultra-slim keyboard with 99 keys and numeric keypad
- Standard PS/2 emulation
- Automatically lock up with the front panel lock latch
- Compact steel construction and high-quality hand-protection sliding rails

Connection Diagram



Package Contents

- 1x LCD Console
- 1x Power Cord (Regional)
- 1x Quick Start Guide
- 2x Mounting Rails
- 1x USB+VGA KVM Cable (1.8m/6ft)

Specifications

	Model	LS1801
Computer Connections	Direct	1
	Max	1
Port emulation	Keyboard, mouse	PS/2, USB
LCD monitor	LCD model	WXGA TFT
	View area	18.51"
	Optimum resolution	1366 x 768 @60Hz
	Display color	16.7 M
	Brightness	250cd/m ² (Typ)
	Contrast ratio	1000 : 1 (Typ)
	Pixel pitch(mm)	0.300 (H) × 0.300 (W)
Mouse	X/Y resolution	>1000 points / inch, (40 points/mm)
	Touchpad with trackball	Eliminates the need for an external mouse
Keyboard		99 keys (82 keys main keyboard +17 independent small number pad)
Input power		100V-240Vac, 50~60Hz, <1.5A
Power consumption		11W
Operating temperature		0—50 °C
Storage temperature		-20— 60 °C
Humidity		0~80% RH, non-condensing
Net weight		11 kg
Cabinet column mounting pitch		620-720mm
Product dimension (W × D × H)		448mm×560mm×42.5mm
Package dimension (W × D × H)		765mm×615mm×185mm
Optional power input		-36V— -72Vdc