

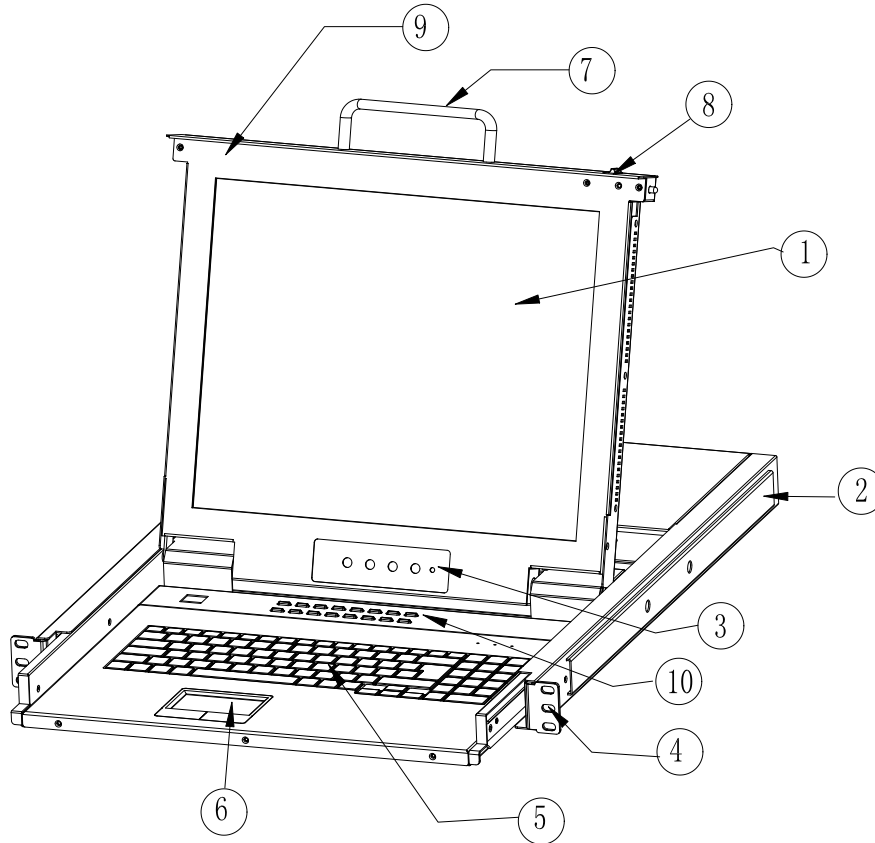
# 8 / 16 Port 17" HDMI LCD KVM Console ( LH2708 / LH2716 )



### Overview

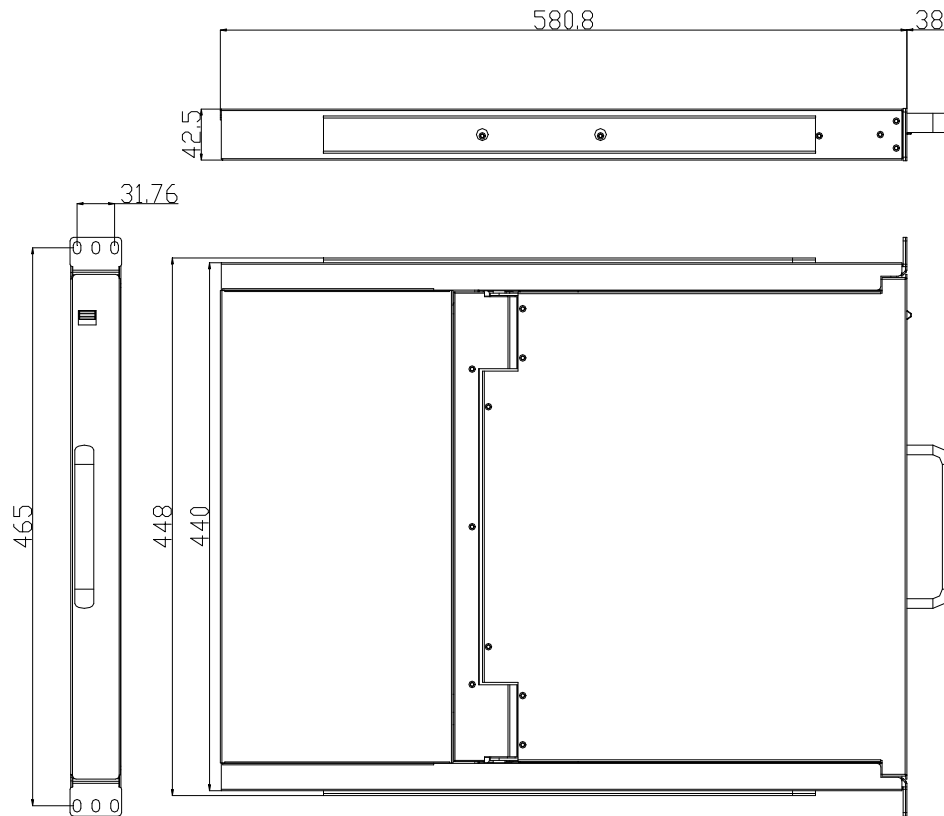
The KVM console integrates 8 port / 16 port HDMI KVM switches in a 1U height console. It can control multiple computers with one monitor, keyboard and mouse. It is easy and fast to install the KVM console, you just need to connect corresponding cables to the right ports of KVM and its module without software configuration.

The KVM console can control up to 8 or 16 computers, supports multiple hardware platforms and multiple operating systems.



1	LCD Monitor	6	Touchpad
2	Rear Bracket Slot	7	Handle
3	Display Menu Buttons	8	Release Switch
4	Mounting Bracket	9	Display Panel
5	Keyboard	10	Port Selection Buttons

## Structure



1	Ground Connection Screw	4	PC Port
2	Console Port	5	Power input(AC)
3	USB Port		

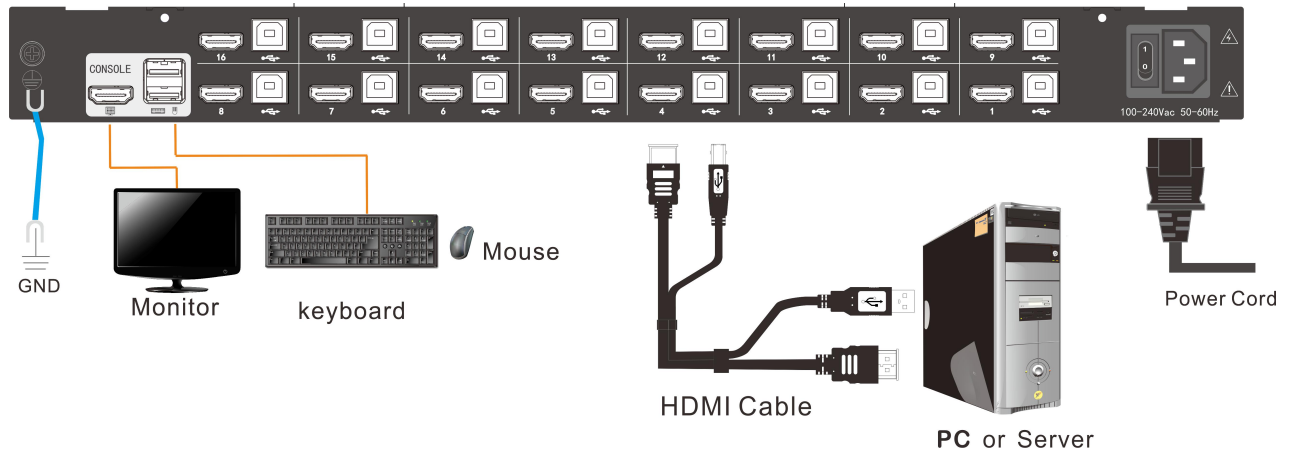
## Features

- 17" TFT LCD monitor, high brightness, high resolution
- 1U height, suitable height for standard 19" rack mount, metal structure
- Ultra slim 99 keys keyboard with small numeric keyboard
- A single console controls up to 8/16 computers
- Fully complied with HDCP
- Complied with HDMI1.4a
- No software required – select computers via push button, hotkey and OSD
- User-friendly OSD human-computer interaction interface, call up OSD through keyboard and mouse hotkeys
- Broadcast mode – operations simultaneously performed on all selected computers Easily choose servers with

mouse

- Multi-platform – Windows, Linux, Mac, Unix
- Complete keyboard and mouse signal simulation to ensure that the booting and switching are correct
- Auto scan feature for monitoring user-selected computers
- Hot pluggable - add or remove computers without having to power down the switch
- Support firmware upgrade

### Connection Diagram



### Package Contents

- 1x LCD Console
- 1x Power Cord (Regional)
- 1x Quick Start Guide
- 2x Mounting Rails
- 8/16x USB+HDMI KVM Cable (1.8m/6ft)

## Specifications

Model		LH2708	LH2716
Computer connections	Direct	8	16
	Max	8	16
Port emulation	Keyboard, mouse	USB	
LCD monitor	LCD model	SXGA TFT	
	View area	17 "	
	Optimum resolution	1280×1024@60Hz	
	Display color	16.7 M	
	Brightness	250cd/m <sup>2</sup> ( T y p )	
	Contrast ratio	1000 : 1 ( T y p )	
Mouse	Pixel pitch(mm)	0.264(H) × 0.264(W)	
	X/Y resolution	>1000 points /inch, (40 points/mm)	
Keyboard	Roll wheel	Supports scroll wheel function	
		99 keys (82 keys main keyboard +17 independent small numeric keyboard)	
Port selection	Front panel pushbuttons, hotkeys, OSD menu		
Input power	100V- 240Vac, 50-60Hz, <1.5A		
Power consumption	22W	24W	
Mounting distance	600~850mm (L=420mm) Mounting rails can be customized for other mounting distance.		
Operating temperature	0—50 °C		
Store temperature	-20—60 °C		
Humidity	0—80% RH, non-condensing		
Net weight	12.8 kg	13 kg	
Product dimension (W × D × H)	448mm×581mm×42.5mm		
Package dimension (W × D × H)	765mm×615mm×185mm		
Optional power input	-36V— -72V DC		