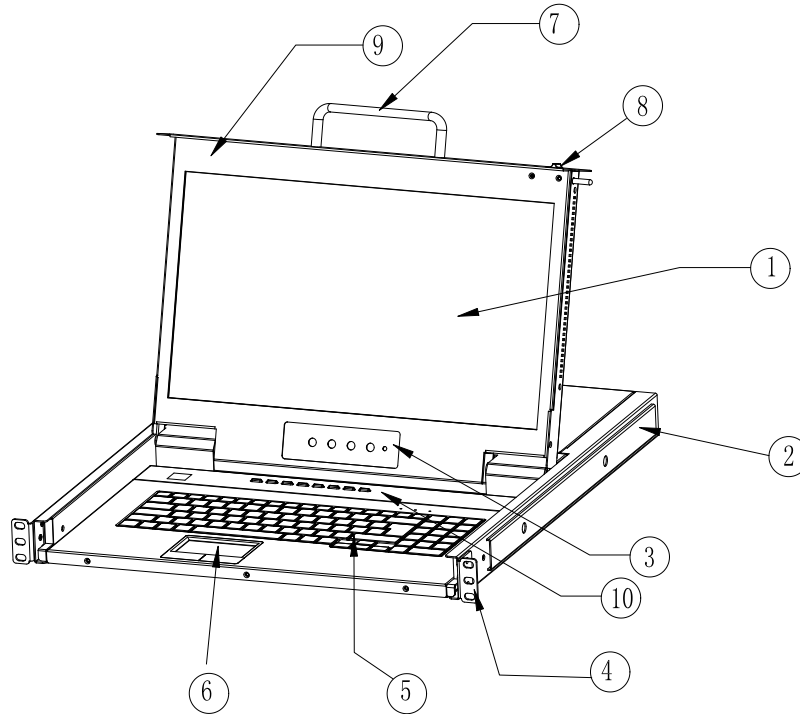


8 / 16 Port 17.3" HDMI LCD KVM Console (LH1708 / LH1716)



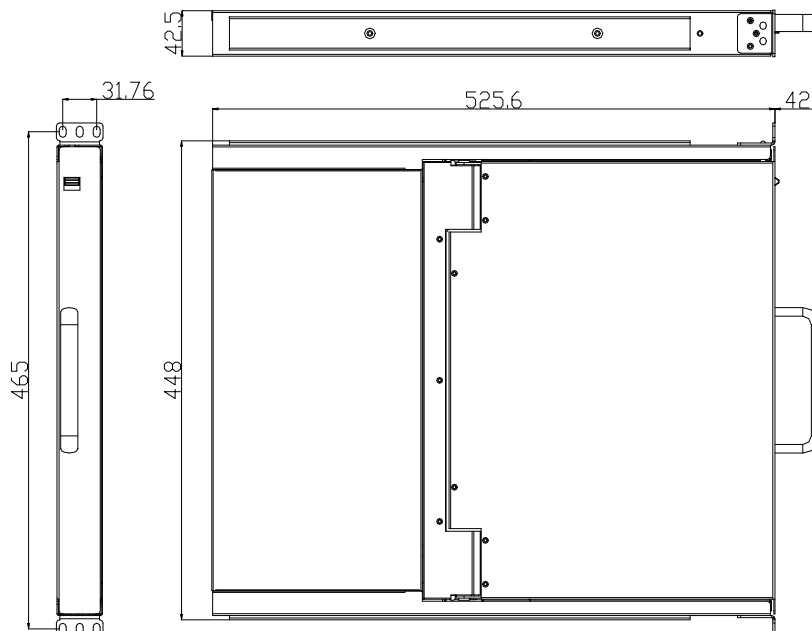
Overview

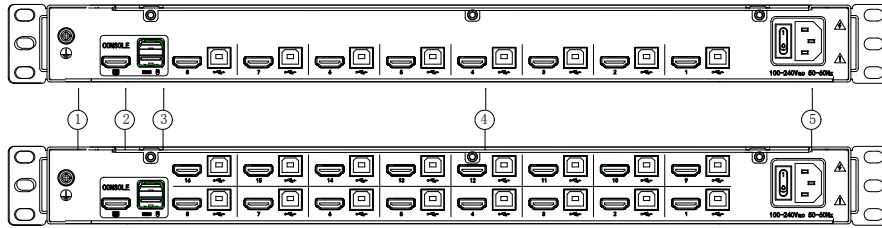
The HDMI KVM console integrates a 17.3" widescreen LCD monitor, keyboard & touchpad, and an 8/16 ports HDMI KVM switch in a 1U rack housing. It can control 8/16 computers with one monitor, keyboard and mouse. Connect computers via standard HDMI port, resolution is up to 1920 x 1080@60Hz. It is easy and fast to install the KVM console, you just need to connect corresponding cables to the right ports of KVM and its module without software configuration.



1 LCD Monitor	6 Touchpad
2 Rear Bracket Slot	7 Handle
3 Display Menu Buttons	8 Release Switch
4 Mounting Bracket	9 Display Panel
5 Keyboard	10 Port Selection Buttons

Structure





1	Ground Connection Screw	4	PC Port
2	Console Port	5	Power input(AC)
3	USB Port		

Hardware Features

- Integrated rack mount drawer with 17.3" rack mount monitor, keyboard/touchpad and 8/16 port KVM switch in a 1U height console
- Standard HDMI connection-Connect to a server or computer via standard HDMI connectors
- LCD module can be opened up to 108 degrees to provide a comfortable viewing angle
- Support computers with USB keyboard and mouse

Management

- Convenient computer switching via front panel LEDs, keyboard hotkey combination or on-screen-display (OSD)
- Auto scan feature for monitoring user-selected computer
- Broadcast mode--operations simultaneously performed on all selected computers
- Hot pluggable --add or remove computers without having to power down the switch
- Quickly select your computer by naming the server or inputting SN number of the server
- On-Screen Display (OSD) adjustments-Adjust the on-screen image, including: auto adjust, exit, power on/off, brightness, menu, and a power indicator

High Resolution

- 17.3" FHD LCD monitor with highlight, high definition and high resolution
- Resolution is up to 1920x 1080 @60Hz

Security

- Two level password security--only authorized users view and control computers
- Supports one administrator and four user accounts with a separate profile for each

High Performance Touchpad

- Touchpad with scroll wheel - Eliminates the need for a separate, external mouse

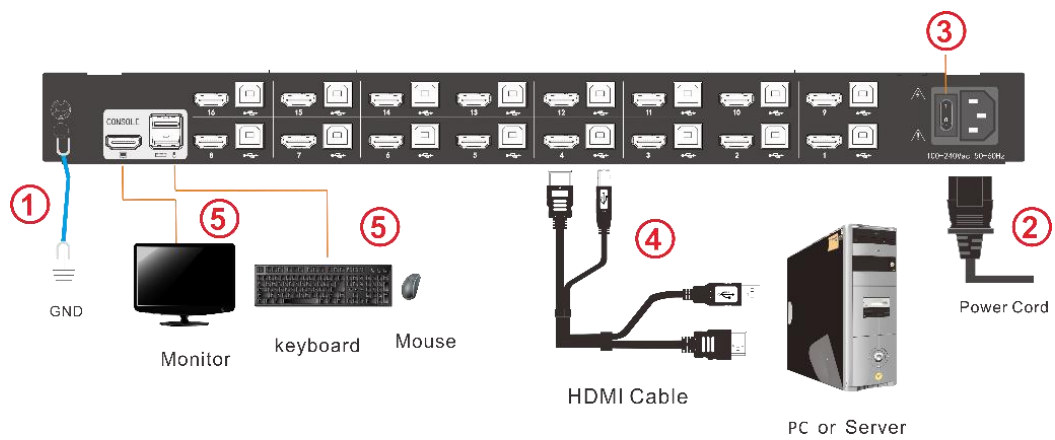
Keyboard

- Multi-language support--English, Russian, German, French, Spanish, and Korean etc.
- Full size 99 keys keyboard with integrated number pad

Wide Compatibility

- Multiplatform Support-Compatible with Windows, Sun, Unix and Linux
- Supports servers form Lenovo, HUA WEI, HP, IBM, Cisco and Dell, etc.

Connection Diagram



Specifications

Model		LH1708	LH1716
Computer connections	Direct	8	16
	Max	8	16
Port emulation	Keyboard, mouse	USB	
LED monitor	LED model	FHD TFT	
	View area	17.3"	
	Optimum resolution	1920×1080@60Hz	
	Display color	16.7 M	
	Brightness	250cd/m ² (T y p)	
	Contrast ratio	800: 1(T y p)	
Mouse	Pixel pitch(mm)	0.1989(H) × 0.1989(W)	
	X/Y resolution	>1000 points /inch, (40 points/mm)	
Keyboard	Roll wheel	Supports scroll wheel function	
		99 keys (82 keys main keyboard +17 independent small numeric keyboard)	
Port selection	pushbuttons, hotkeys, OSD menu		
Input power	100V- 240Vac, 50-60Hz, <1.5A		
Power consumption	13W	15W	
Mounting distance	510-850mm (L=420mm) Mounting bracket can be customized for other mounting distance		
Operating temperature	0—50 °C		
Store temperature	-20—60 °C		
Humidity	0—80% RH, non-condensing		
Net weight	10.8kg	11kg	
Product dimension (W × D × H)	448mm×525.6 mm×42.5mm		
Package dimension (W × D × H)	765mm×615mm×185mm		