

8 / 16 Port 17" DVI LCD KVM Console (LD2708 / LD2716)

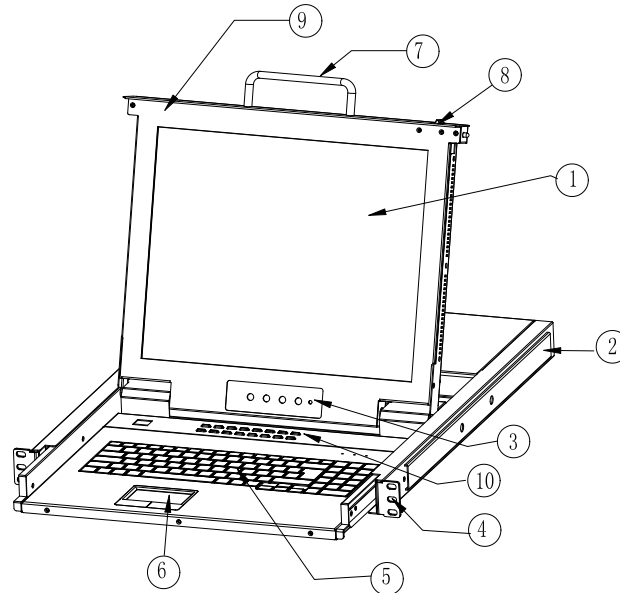


Overview

The KVM console integrates multiple port KVM switches in a 1U height console. It can control multiple computers with one monitor, keyboard and mouse.

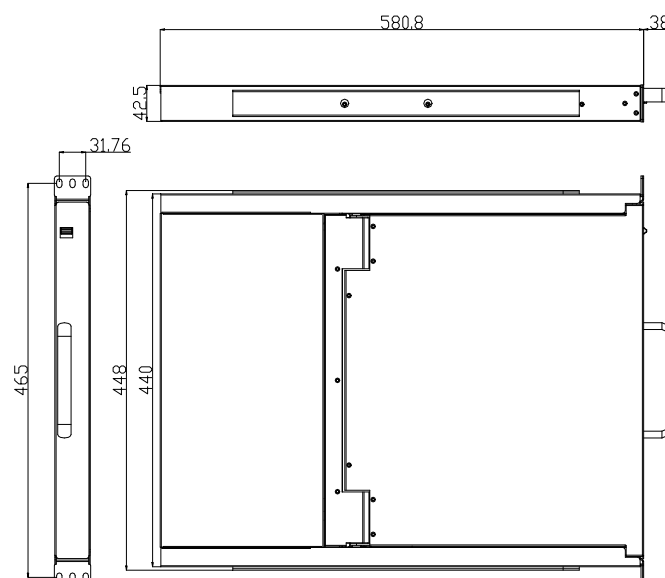
It is easy and fast to install the KVM console, you just need to connect corresponding cables to the right ports of KVM and its module without software configuration.

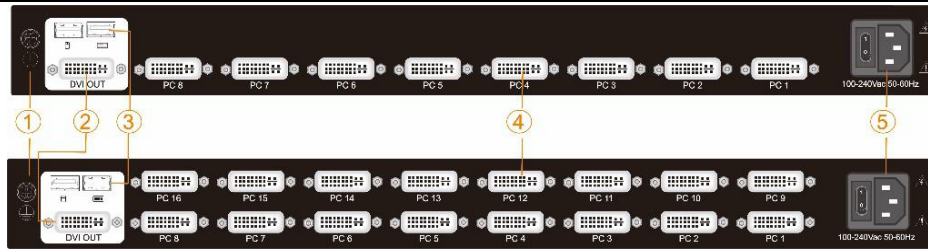
The KVM console can control up to 8 or 16 computers, supports multiple hardware platforms and multiple operating systems.



| | |
|------------------------|---------------------------|
| 1 LCD Monitor | 6 Touchpad |
| 2 Rear Bracket Slot | 7 Handle |
| 3 Display Menu Buttons | 8 Release Switch |
| 4 Mounting Bracket | 9 Display Panel |
| 5 Keyboard | 10 Port Selection Buttons |

Structure



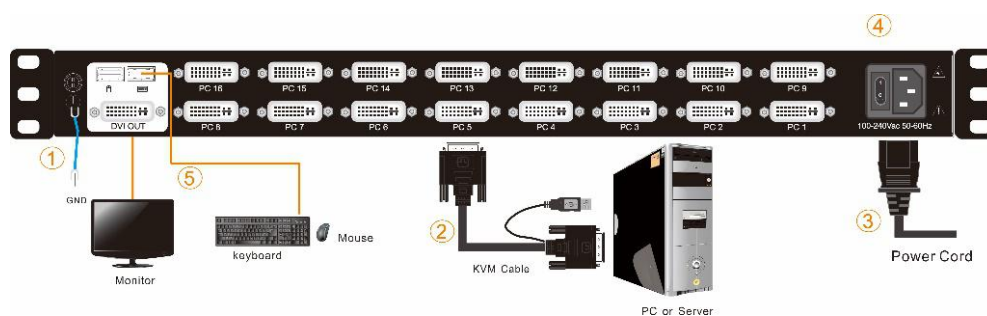


| | | | |
|---|-------------------------|---|-----------------|
| 1 | Ground Connection Screw | 4 | PC Port |
| 2 | Console Port | 5 | Power input(AC) |
| 3 | USB Port | | |

Features

- 17" TFT LCD monitor, high brightness, high resolution;
- 1U height, suitable height for standard 19" rack mount, metal structure;
- Ultra slim 99 keys keyboard with small numeric keyboard;
- High resolution and high flexibility with touchpad; with two function buttons and scroll wheel.
- A single console controls up to 8/16 computers
- Fully complied with HDCP
- No software required – select computers via push button, hotkey and OSD
- Broadcast mode--operations simultaneously performed on all selected computers Easily choose servers with mouse
- Multi-platform – Windows, Linux, Mac, Unix
- Complete keyboard and mouse signal simulation to ensure that the booting and switching are correct
- Auto scan feature for monitoring user-selected computers
- Hot pluggable - add or remove computers without having to power down the switch
- Support firmware upgrade

Connection Diagram



Package Contents

- 1x LCD Console
- 1x Power Cord (Regional)
- 1x Quick Start Guide
- 2x Mounting Rails
- 8/16x USB+DVI KVM Cable (1.8m/6ft)

Specifications

| Model | | LD2708 | LD2716 |
|-------------------------------|--------------------------------------------------------------------------------------|------------------------------------|--------|
| Computer connections | Direct | 8 | 16 |
| | Max | 8 | 16 |
| Port emulation | Keyboard, mouse | USB | |
| LED monitor | LED model | SXGA TFT | |
| | View area | 17 " | |
| | Optimum resolution | 1280×1024@60Hz | |
| | Display color | 16.7 M | |
| | Brightness | 250cd/m ² (T y p) | |
| | Contrast ratio | 1000 : 1 (T y p) | |
| | Pixel pitch(mm) | 0.264(H) × 0.264(W) | |
| Mouse | X/Y resolution | >1000 points /inch, (40 points/mm) | |
| | Roll wheel | Supports scroll wheel function | |
| Keyboard | 99 keys (82 keys main keyboard +17 independent small numeric keyboard) | | |
| Port selection | Front panel pushbuttons, hotkeys, OSD menu | | |
| Input power | 100V- 240Vac, 50-60Hz, <1.5A | | |
| Power consumption | 22W | 24W | |
| Mounting distance | 600~850mm (L=420mm) Mounting rails can be customized for other mounting distance. | | |
| Operating temperature | 0—50 °C | | |
| Store temperature | -20—60 °C | | |
| Humidity | 0—80% RH, non-condensing | | |
| Net weight | 12.8 kg | 13 kg | |
| Product dimension (W × D × H) | 448mm×581mm×42.5mm | | |
| Package dimension (W × D × H) | 765mm×615mm×185mm | | |
| Optional power input | -36V— -72V DC | | |