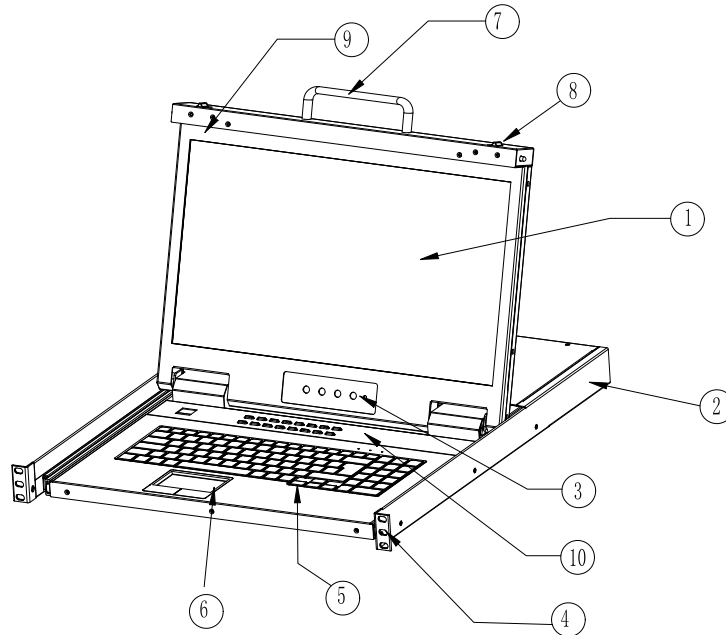


8/16/24/32-Port Short Depth CAT5 18.5"
Widescreen LCD KVM Switch
(LC2808 / LC2816 / LC2824 / LC2832)



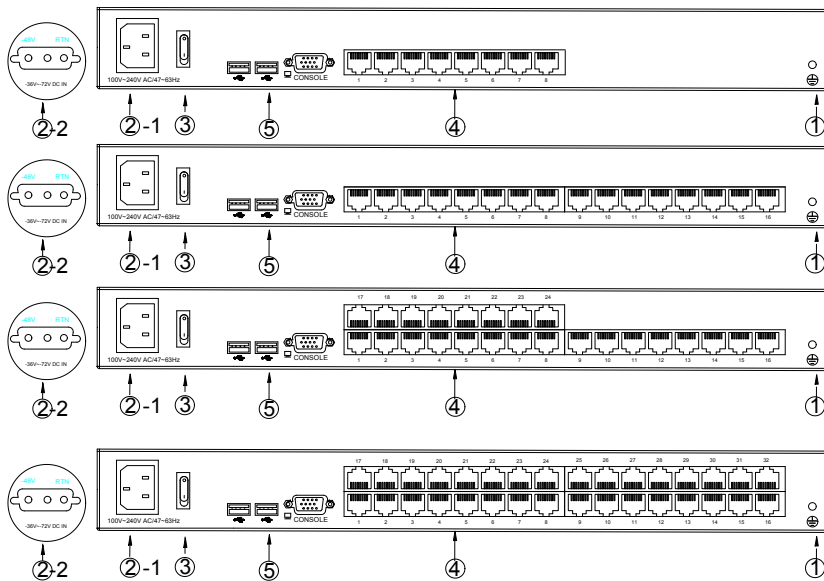
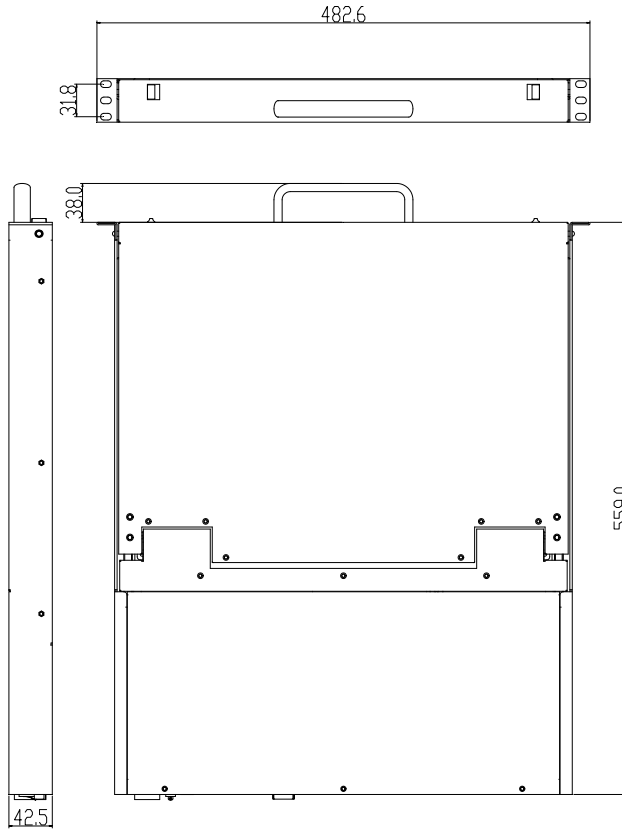
Overview

The Kinan LC28 series LCD KVM Switch integrates a keyboard/touchpad and a 18.5" widescreen LCD monitor in a 1U rack mount housing. The short depth design saves much space for equipping rack mount device in a narrow space. The LC28 series allow access and control up to 8 / 16 / 24 / 32 computers from a single console (keyboard, mouse, and monitor). As many as 256 / 512 / 768 / 1024 computers can be controlled by cascading to another 31 additional switches. The Kinan LC28 series LCD KVM switch supports USB connections for the console and computers, RJ-45 connectors and CAT 5e/6 cable are used to link to the computers.



1 LCD Monitor	6 Touchpad
2 Rear Bracket Slot	7 Handle
3 Display Menu Buttons	8 Release Switch
4 Mounting Bracket	9 Display Panel
5 Keyboard	10 Port Selection Buttons

Structure

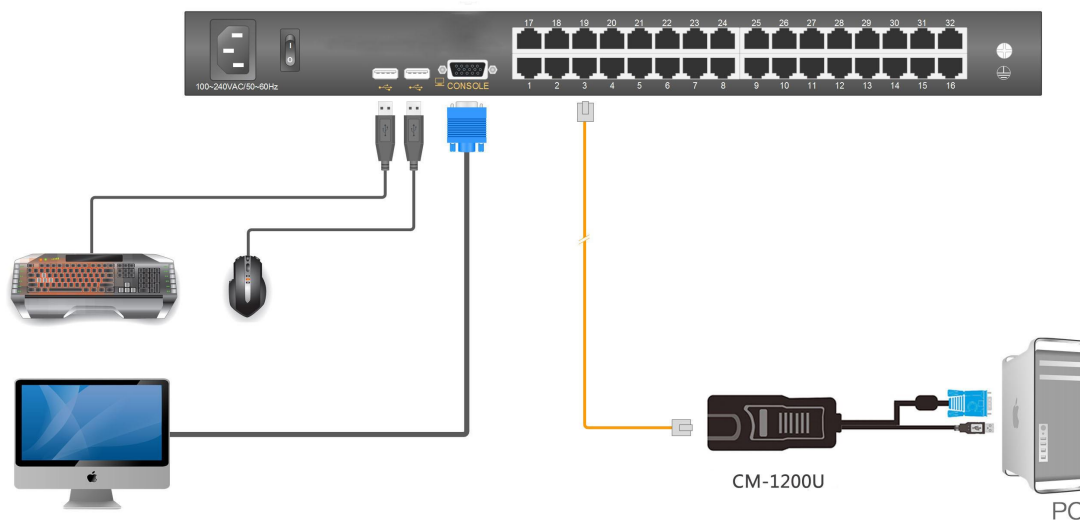


1	Ground Connection Screw	4	Console Port
2	Power input(AC)	5	Host Port
3	Power switch		

Features

- 18.5" TFT widescreen LCD monitor, high brightness, high resolution
- Superior video quality – up to 1920 x 1080@60Hz
- Metal 19" rack-mountable with 1U height
- Ultra slim 99 keys keyboard with small numeric keyboard
- High resolution and high flexibility with touchpad
- Access and control up to 8 /16/ 24/ 32 computes from a single USB KVM (keyboard, video and mouse) console
- Supports Multiple systems: Windows, Linux, Mac and Sun
- Convenient computer switching via front panel pushbuttons, hotkeys, OSD menu or mouse
- Hot pluggable – add or remove computers without having to power down the switch
- Auto scan feature for monitoring user-selected computers
- Broadcast mode – operations simultaneously performed on all selected computers
- Keyboard and mouse emulation function

Connection Diagram



Packaging Contents

- 1x LCD Console
- 1x Power Cord (Regional)
- 1x Quick Start Guide
- 2x Mounting Rails
- 1x Cat5 shield network cable
- 1x Ground Lead
- 8/16/24/32x USB VGA KVM adapters

Specifications

Model		LC2808	LC2816	LC2824	LC2832
Computer connections	Direct	8	16	24	32
	Max	256	512	768	1024
Port emulation	Keyboard, mouse	PS/2, USB			
LCD monitor	LCD model	FHD TFT			
	View area	18.47"			
	Optimum resolution	1920×1080@60Hz			
	Display color	16.7 M			
	Brightness	250cd/m ² (T y p)			
	Contrast ratio	1000: 1 (T y p)			
	Pixel pitch(mm)	0.213(H) × 0.213(W)			
Mouse	X/Y resolution	>1000 points / inch, (40 points/mm)			
	Touchpad with scroll wheel function	Eliminates the need for an external mouse			
Keyboard		99 keys (82 keys main keyboard +17 independent small number pad)			
Port selection		Front panel pushbuttons, hotkeys, OSD menu			
Input power		100V- 240Vac, 50-60Hz, <1.5A			
Power consumption		29W	30W	31W	32W
Operating temperature		0 — 50 °C			
Store temperature		-20 — 60 °C			
Humidity		0~80% RH, non-condensing			
Net weight		11.8kg	11.8kg	12kg	12kg
Product dimension (W × D × H)		448mm×560mm×42.5mm			
Package dimension (W × D × H)		765mm×615mm×185mm			
Optional power input		-36V~ -72V DC			