

# **Dual HDMI over Fiber KVM Extender (KFH201S)**

## **User Manual**

[www.kinankvm.com](http://www.kinankvm.com)

@All right reserved Shenzhen Kinan Technology Co., Ltd.

Date:2024/05

Version: V2.0

## Product Description

The KFH201S USB Dual HDMI over fiber KVM extender integrates the latest HDBaseT™ technology and delivers dual HD HDMI video, USB and stereo audio signals up to 300m by using fiber optics; if the cable type is single mode, the transmitting distance is up to 10km.

A complete set of KFH201S including Transmitter (KFH201S\_TX) and Receiver (KFH201S\_RX). The Transmitter is connected to a computer or server, and the receiver is connected to a display, keyboard, audio player and other USB devices.

The KFH201S enables remote high-speed access to a computer at HD display resolution, while improving workplace ergonomics and separating employees from a noisy working environment.

***\*Note: The bandwidth of the optical module must reach 10Gbit/sec.***

## Features

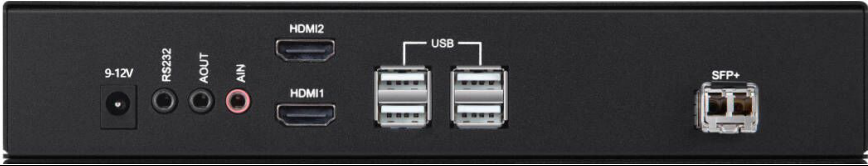
- Uses one fiber optic cable to connect the transmitter and receiver units
- Allows HDMI dual view access to your computer from a remote console up to 300m by using multimode type cable, if the cable type is single mode, transmitting distance is up to 10km.
- Superior HDMI video quality of up to 1920x1080@60Hz.
- Transparent USB 2.0 – Supports a wide range of USB devices including keyboards, mice, mass storage devices and printers. It provides 4 USB ports on the Receiver and 1 USB on the Transmitter.
- Support individual 2-channel stereo audio, 1 LINEIN + 1 LINEOUT.
- RS232 serial port – support connection to a serial terminal.
- Support local HDMI output
- Easy to install - no software required - connecting cables to the devices is all it takes
- Plug and play

### KFH201S\_RX (Front View)



No.	Components	Description
1	RXLOS	SFP+ module signal receiving
2	TXLFT	The LED indicator that shows the SFP+ module has been connected, when the light is on, the SFP+ module is recognized.
3	LINKRX	Flashing: data is being transferred Off: The connection is unsuccessful
4	LINKTX	Flashing: data is being transferred Off: The connection is unsuccessful
5	HDCP1	HDMI-1 device video status
6	FW1	HDMI-1 device running indicator
7	HDCP2	HDMI-2 device video status
8	FW2	HDMI-2 device running indicator
9	FWR	Power indicator, indicate power status

**KFH201S\_RX (Rear View)**



No.	Components	Description
1	9-12V	9-12V power connection port
2	RS232	Serial port
3	AOUT	Audio output
4	AIN	MIC input
5	HDMI OUT1	Connect to HDMI monitor 1
6	HDMI OUT2	Connect to HDMI monitor 2
7	USB	Connect to USB peripherals or keyboard and mouse
8	SFP+	Connect to TX with fiber cable

### KFH201S\_TX (Front View)



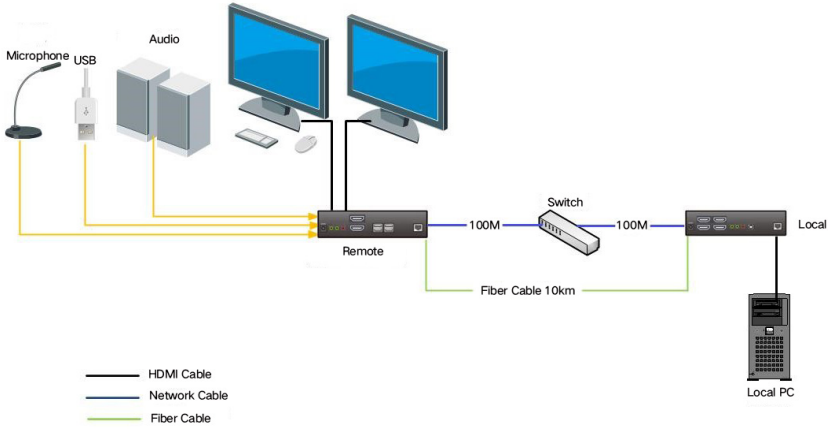
No.	Components	Description
1	RXLOS	SFP+ module signal receiving
2	TXLFT	The LED indicator that shows the SFP+ module has been connected, when the light is on, the SFP+ module is recognized.
3	LINK-RX	Flashing: data is being transferred Off: The connection is unsuccessful
4	LINK-TX	Flashing: data is being transferred Off: The connection is unsuccessful
5	HDCP1	HDMI-1 device video status
6	FW1	HDMI-1 device running indicator
7	HDCP2	HDMI-2 device video status
8	FW2	HDMI-2 device running indicator
9	FWR	Power indicator, indicate power status

### KFH201S\_TX (Rear View)



No.	Components	Description
1	9-12V	9-12V power connection port
2	HDMI OUT1	Connect to HDMI out display 1
3	HDMI OUT2	Connect to HDMI out display 2
4	HDMI IN1	HDMI video input 1
5	HDMI IN2	HDMI video input 2
6	RS232	Serial port
7	AOUT	Audio output
8	AIN	MIC input
9	USB	Connect to the USB port of the computer
10	SFP+	Connect to RX with fiber cable

### Connection Diagram



## Specifications

Function		KFH201S_TX	KFH201S_RX
Connector	HDMI Input	2	NA
	HDMI Output	2	2
	Power	12V	12V
	Fiber Module	SFP+ x 1	SFP+ x 1
	Microphone	3.5MM Stereo Jack (Pink)	3.5MM Stereo Jack (Pink)
	Speaker	3.5MM Stereo Jack (Green)	3.5MM Stereo Jack (Green)
	USB Type B	1	N/A
	USB 2.0	N/A	USB x 4
Resolution		Single-channel: 4K@60Hz (YCbCr 4:2:0) Dual-channel : 1920x1080@60Hz	
Connection Cable		Fiber cable	
Power Input		9-12VDC	9-12VDC
Power Consumption		12W	
Operating Temperature		0—50 °C	
Storage Temperature		-20—60 °C	
Humidity		0—80% RH, Non-condensing	
Material		Metal	
Net Weight (kg)		0.63kg	0.63kg
Product Dimension (W × D × H)		218 mm x 115 mm x 40mm	