

HDMI Digital KVM Extender Over Fiber

(KFH101S)



www.kinankvm.com

@All right reserved Shenzhen Kinan Technology Co., Ltd.

Date: 2024/11

Version: V 1.0

Product Description

The KFH101S HDMI digital KVM extender delivers HD HDMI video, USB, RS232, and stereo audio signals up to 10km over fiber optic cable. A complete set of KFH101S including Transmitter (KFH101S-TX) and Receiver (KFH101S-RX). The Transmitter is connected to a computer or server, and the receiver is connected to a display, keyboard, audio player and other USB devices. The KFH101S support single-mode and multi-mode optical fiber, the maximum transmission distance of single mode is 10km, and the transmission distance of multimode is up to 300m. It supports the transmission of 2 channel high-quality HDMI signals and has a wide range of application

****Note: The bandwidth of the optical module must reach 10Gbit/sec.***

Features

- Allows HDMI access to your computer from a remote console
- Support USB keyboard and mouse Supports local (TX) HDMI interface loop-out
- Uncompressed HDMI FHD video, resolution up to 4K@60Hz (YCbCr 4:2:0)
- Extends HDMI video, audio, USB, RS-232 signals over fiber optic cable
- The maximum transmission distance is vary depending on the fiber type, the maximum transmission distance of single mode is 10km, and the transmission distance of multimode is up to 300m
- Support USB 2.0 – Supports a wide range of USB peripherals, such as encrypted U disk, face recognition and other USB devices
- Support USB Hub, the number of USB ports can be expanded through USB Hub
- Support individual 2-channel stereo audio, 1 LINEIN + 1 LINEOUT
- Easy to install - no software required - connecting cables to the devices is all it takes
- Plug and pla

KFH101S-RX (Front View)



No.	Components	Description
1	RXLOS	SFP+ module signal receiving
2	TXLFT	The LED indicator that shows the SFP+ module has been connected, when the light is on, the SFP+ module is recognized.
3	LINKRX	Flashing: data is being transferred Off: The connection is unsuccessful
4	LINKTX	Flashing: data is being transferred Off: The connection is unsuccessful
5	HDCP1	HDMI device video status
6	FW1	HDMI device running indicator
7	PWR	Power indicator, indicate power status

KFH101S-RX (Rear View)



No.	Components	Description
1	9-12V	9-12V power connection port
2	RS232	Serial port
3	AOUT	Audio output
4	AIN	MIC input
5	HDMI OUT	Connect to HDMI monitor
6	USB	Connect to USB peripherals or keyboard and mouse
7	SFP+	Connect to TX with fiber cable

KFH101S-TX (Front View)



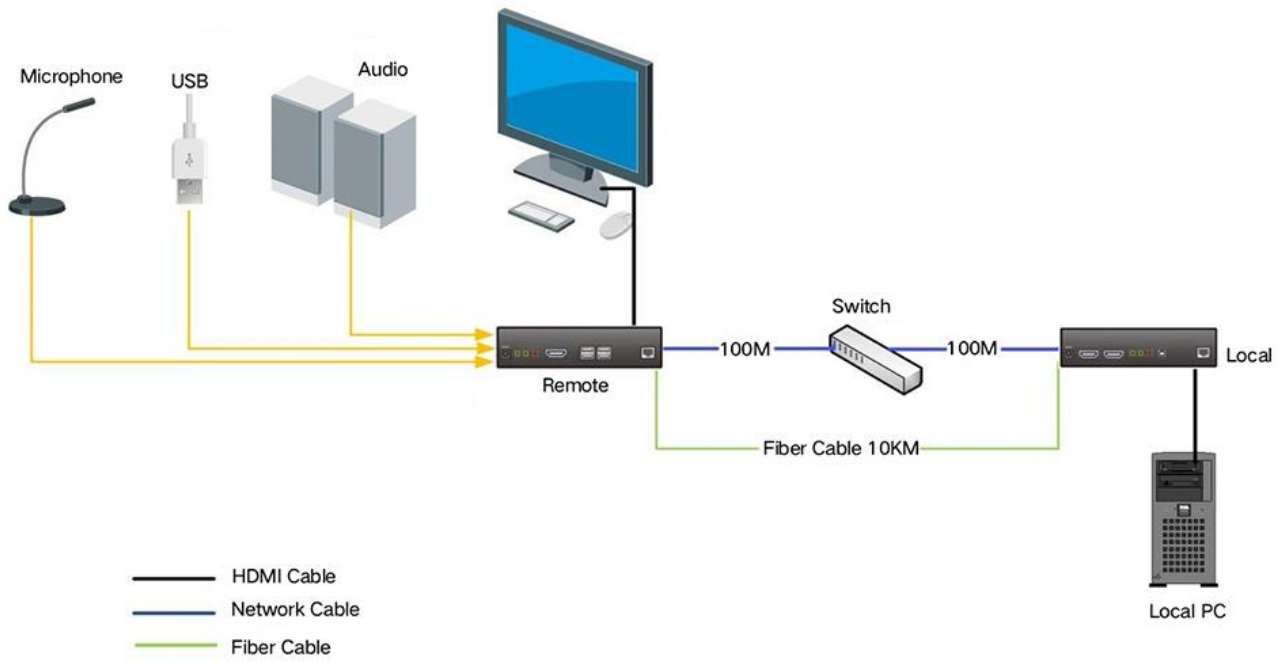
No.	Components	Description
1	RXLOS	SFP+ module signal receiving
2	TXLFT	The LED indicator that shows the SFP+ module has been connected, when the light is on, the SFP+ module is recognized.
3	LINKRX	Flashing: data is being transferred Off: The connection is unsuccessful
4	LINKTX	Flashing: data is being transferred Off: The connection is unsuccessful
5	HDCP1	HDMI device video status
6	FW1	HDMI device running indicator
7	PWR	Power indicator, indicate power status

KFH101S-TX (Rear View)



No.	Components	Description
1	9-12V	9-12V power connection port
2	HDMI OUT	Connect to HDMI out display
3	HDMI IN	HDMI video input
4	RS232	Serial port
5	AOUT	Audio output
6	AIN	MIC input
7	USB	Connect to the USB port of a computer
8	SFP+	Connect to RX with fiber cable

Connection Diagram



Specifications

Function		KFH101S_TX	KFH101S_RX
Connector	HDMI Input	1	NA
	HDMI Output	1	1
	Power	12V	12V
	Fiber Module	SFP+ x 1	SFP+ x 1
	Microphone	3.5MM Stereo Jack (Pink)	3.5MM Stereo Jack (Pink)
	Speaker	3.5MM Stereo Jack (Green)	3.5MM Stereo Jack (Green)
	USB Type B	1	N/A
	USB 2.0	N/A	USB x 4
Resolution		4K@60Hz (YCbCr 4:2:0)	
Connection Cable		Fiber cable	
Power Input		9-12VDC	9-12VDC
Power Consumption		12W	12W
Operating Temperature		0—50 °C	
Storage Temperature		-20—60 °C	
Humidity		0—80% RH, Non-condensing	
Material		Metal	
Net Weight (kg)		0.63kg	0.63kg
Product Dimension (W × D × H)		218 mm x 115 mm x 40mm	