

CAT5 Dongle-HDMI

User Manual



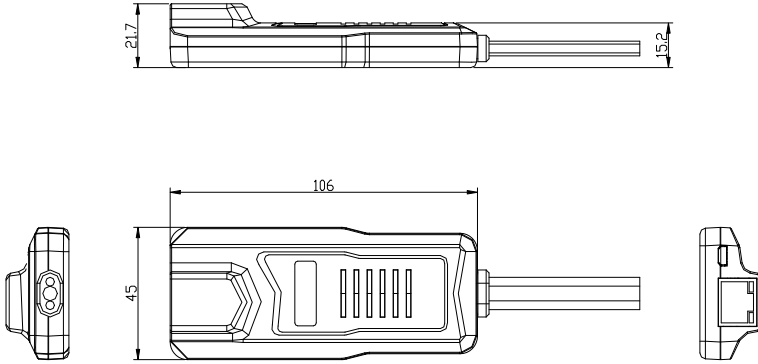
www.kinankvm.com

@all right reserved Shenzhen Kinan Technology Co., Ltd

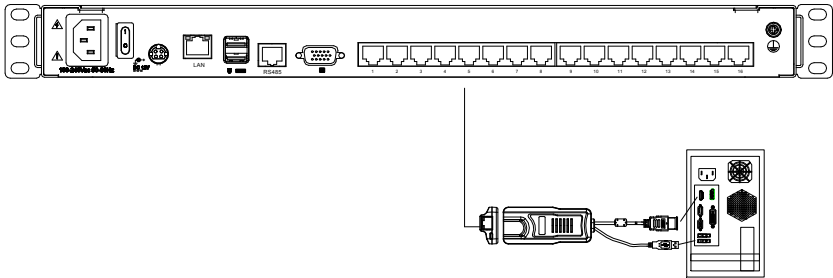
Printing date: 2022/05

Version: V1.0

Product Overview



Connection Diagram



Explanation:

1. The cable used to connect the dongle must be a Category 5e (shielded) CAT5/6 network cable

2. RJ45-LED light on the dongle:

Green light is always on: Indicates that the PC or server that is connected to this dongle has been connected to the KVM and is powered on.

Orange and green lights are always on: Indicates that the PC or server that is connected to this dongle is in use.

Specifications

Model		KCM-3200H	
Connector	Input	USB	1x USB type A
		HDMI	1x HDMI A (male)
	Output		1x RJ-45 (Female)
LED	Connected	Steady green light	
	Online	Steady orange and green lights	
Environment Requirements	Operating Temperature	0-50°C	
	Store Temperature	-20-60°C	
	Humidity	0-80%RH, Non-condensing	
Physical Features	Material	Plastic	
	Cable Length	HDMI: 150 mm (Including HDMI connector) USB: 300 mm	
	Weight	90g	
	Dimension	106mm x 45mm x 21.7mm	