

CAT5 Dongle-DVI

User Manual



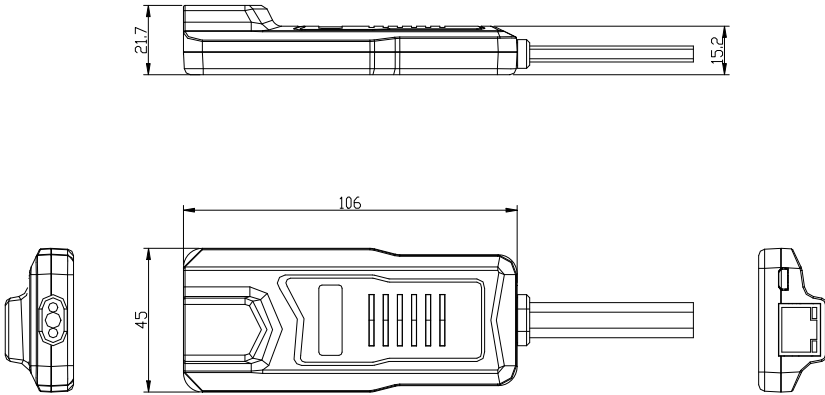
www.kinankvm.com

@all right reserved Shenzhen Kinan Technology Co., Ltd

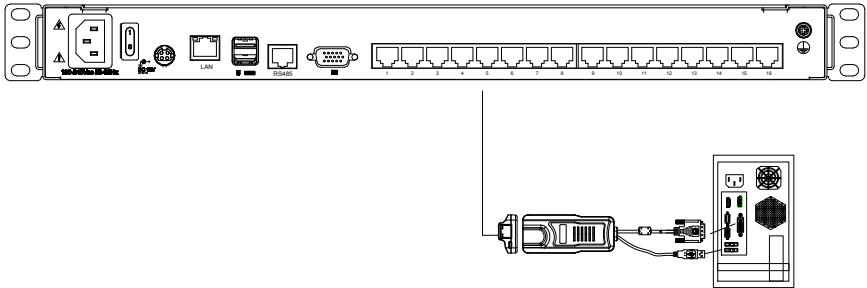
Printing date: 2022/05

Version: V1.0

Product Overview



Connection Diagram



Explanation:

1. The cable used to connect the dongle must be a Category 5e (shielded) CAT5/6 network cable

2. RJ45-LED light on the dongle:

Green light is always on: Indicates that the PC or server that is connected to this dongle has been connected to the KVM and is powered on.

Orange and green lights are always on: Indicates that the PC or server that is connected to this dongle is in use.

Specifications

| Model | | KCM-2200D | |
|--------------------------|-----------------------|-----------|--|
| Connector | Input | USB | 1x USB type A |
| | | DVI | 1x DVI-D (24+1) (male) |
| | Output | | 1x RJ-45 (Female) |
| LED | Connected | | Steady green light |
| | Online | | Steady orange and green lights |
| Environment Requirements | Operating Temperature | | 0-50°C |
| | Store Temperature | | -20-60°C |
| | Humidity | | 0-80%RH, Non-condensing |
| Physical Features | Material | | Plastic |
| | Cable Length | | DVI: 150 mm (Including DVI connector) USB: 300 mm |
| | Weight | | 110g |
| | Dimension | | 106 mmx45 mmx21.7mm |