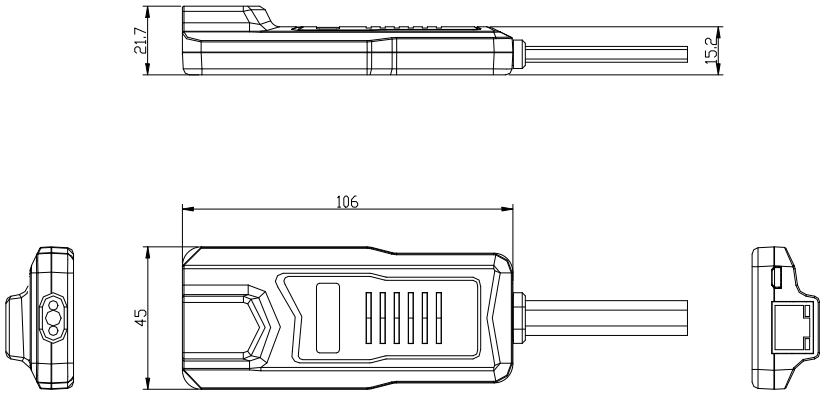


CAT5 VGA KVM Dongle

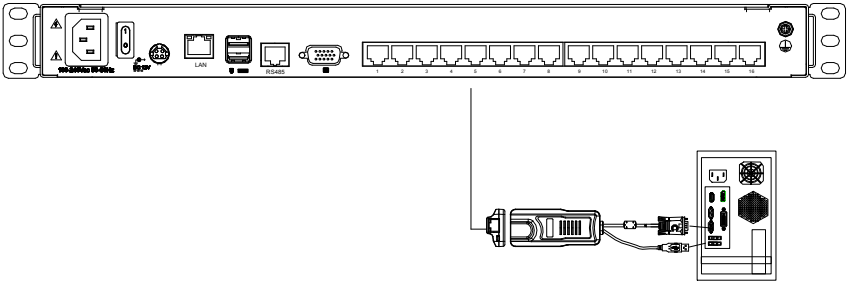
User Manual



Product Overview



Connection Diagram



Explanation:

1. The cable used to connect the dongle must be a Category 5e (shielded) CAT5/6 network cable

2. RJ45-LED light on the dongle:

Steady green light: Indicates that the PC or server that is connected to this dongle has been connected to the KVM and is powered on.

Orange and green lights are always on: Indicates that the PC or server that is connected to this dongle is in use.

Specifications

Model		KCM-1200U	
Connector	Input	USB	1x USB type A
		VGA	1x HDB-15 (male)
	Output		1x RJ-45 (Female)
LED	Connected	Steady green light	
	Online	Steady orange and green lights	
Environment Requirements	Operating Temperature	0-50°C	
	Store Temperature	-20-60°C	
	Humidity	0-80%RH, Non-condensing	
Physical Features	Material	Plastic	
	Cable Length	VGA: 150 mm (Including VGA connector) USB: 300 mm	
	Weight	90g	
	Dimension	106 mmx45 mmx21.7mm	