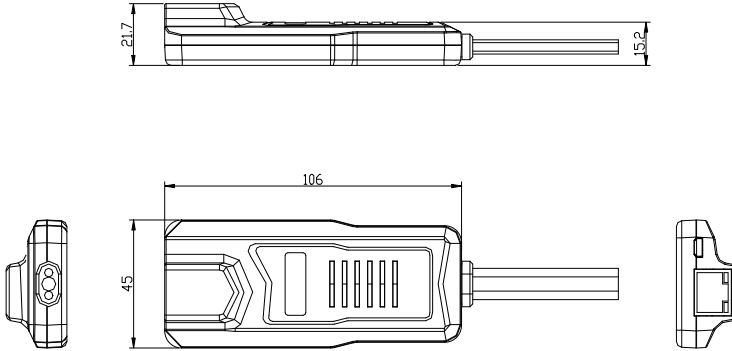


# CAT5 VGA KVM Dongle

## User Manual

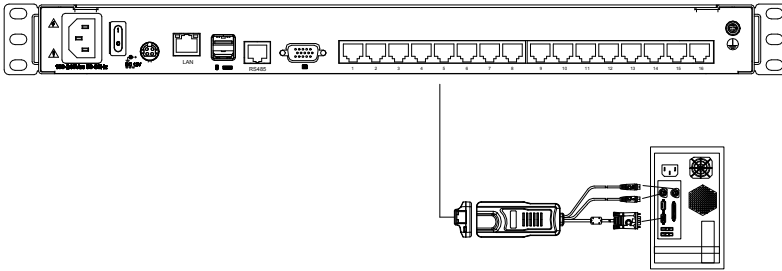


**Product Overview**



**Connection**

**Diagram**



**Explanation:**

1. The cable used to connect the dongle must be a Category 5e (shielded) CAT5/6 network cable

2. RJ45-LED light on the dongle:

Steady green light: Indicates that the PC or server that is connected to this dongle has been connected to the KVM and is powered on.

Orange and green lights are always on: Indicates that the PC or server that is connected to this dongle is in use.

**Specifications**

Model		KCM-1100P
Connector	Input	PS/2 1x 6P Mini-DIN F(purple) 1x 6P Mini-DIN F(green)
		VGA 1x HDB-15 (male)
	Output	1x RJ-45 (Female)
LED	Connected	Steady green light
	Online	Steady orange and green lights
Environment Requirements	Operating Temperature	0-50°C
	Store Temperature	-20-60°C
	Humidity	0-80%RH, Non-condensing
Physical Features	Material	Plastic
	Cable Length	VGA: 150 mm (Including VGA connector) PS/2: 300 mm
	Weight	90g
	Dimension	106 mmx45 mmx21.7mm