

# 17" Cat5 LCD KVM over IP Switch 1-Local / 2- Remote Access

( HT5708 / HT5716 / HT5724 / HT5732 )

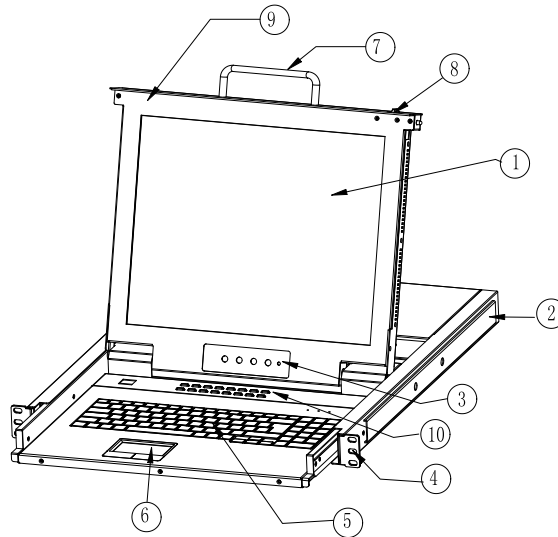


## Overview

Featuring an integrated LCD monitor, keyboard, and touchpad in a 1U rack-mountable housing, the HT57xx series LCD KVM over IP Switch is a control unit that allows secure access to 8 / 16 / 24 / 32 computers from a single KVM console.

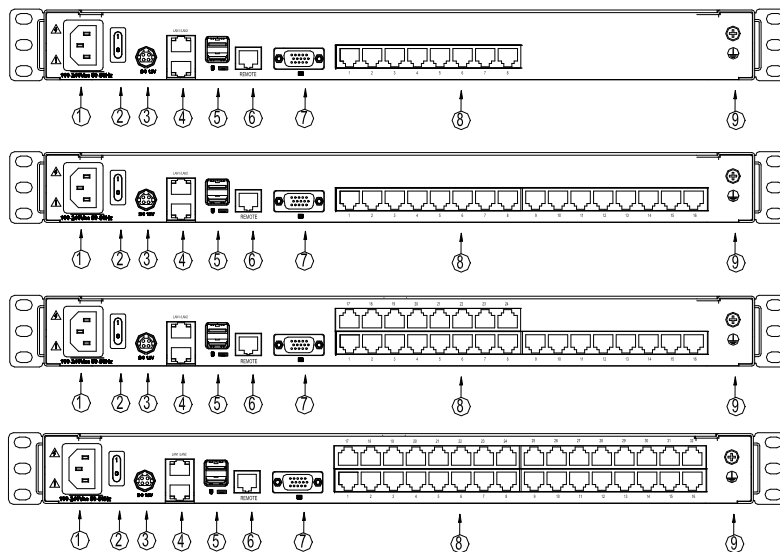
The HT57xx features IP-based connectivity that allows local and remote operators to monitor and access the computers. With TCP/IP communications protocol, the HT57xx series can be accessed from any computer on the LAN, WAN or Internet.

It's easy to set up the HT57xx series, just plug the cable into the appropriate port, no software needed, no complicated installation procedures, and no compatibility issues. Connect computers with compact RJ-45 connectors and Cat 5e/6 cable, transmitting distance is up to 100m.



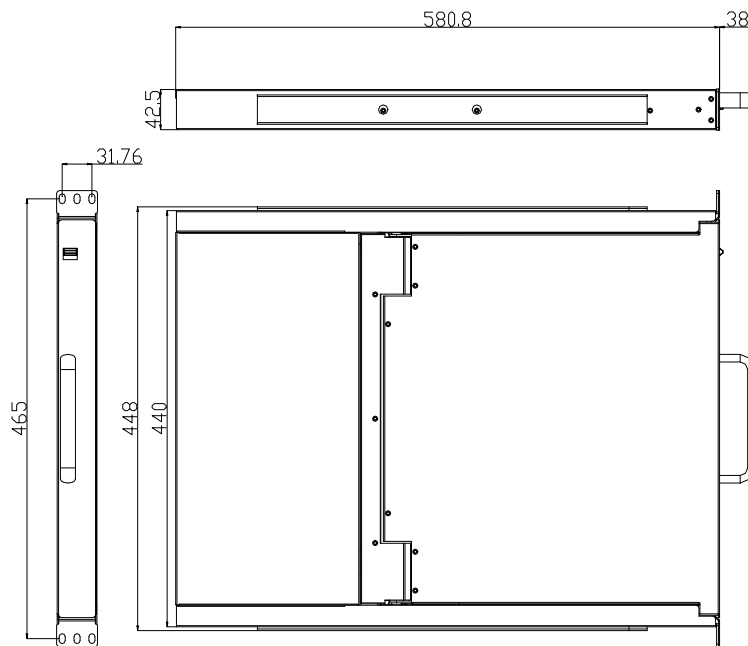
- |                  |                      |                     |
|------------------|----------------------|---------------------|
| 1. LCD Monitor   | 2. Rear Bracket Slot | 3. LCD OSD Controls |
| 4. Front Bracket | 5. Keyboard          | 6. Touchpad         |
| 7. Handle        | 8. Release Catch     | 9. Display Panel    |
| 10. Switch LED   |                      |                     |

## Rear View



1	Power Input (AC)	4	LAN port	7	Monitor Console port
2	Power Input	5	USB Port	8	KVM Port
3	Power Input (AC)Port	6	Remote Port	9	Ground Screw

## Structure



## Features

### Hardware Features

- Integrated KVM Console with 17" LCD monitor, keyboard/touchpad in a 1U height console
- Standard Cat5 connection-Connect to a server or computer via standard RJ-45 connectors and Cat5e/6 cables
- LCD module can be opened up to 108 degrees to provide a comfortable viewing angle
- External console port – provides an external VGA, keyboard and mouse port to manage the LCD KVM Switch from an external console
- One bus for IP KVM remote access
- Dual power supply

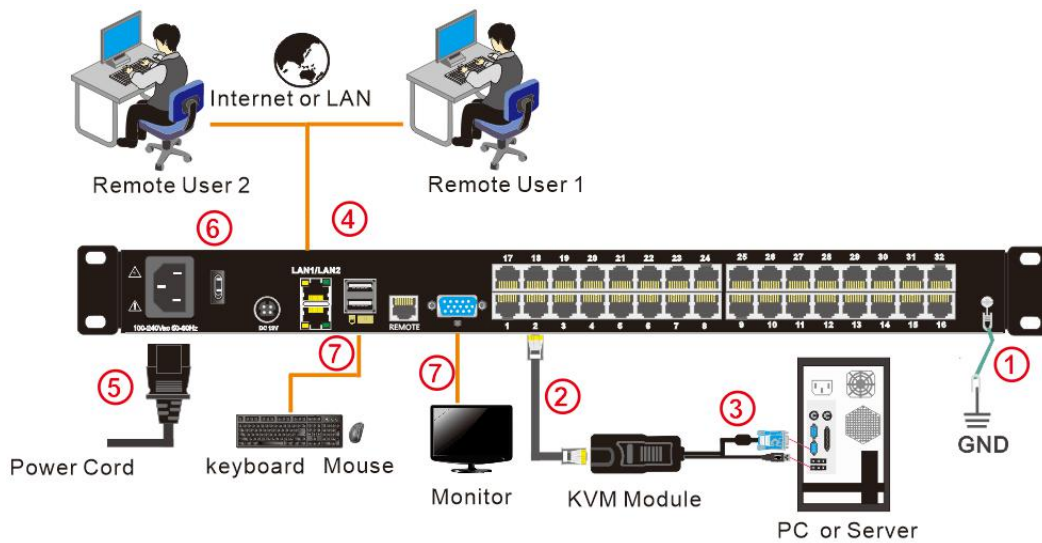
### Local Console

- Controls up to 8 computers from a single console
- Support 1 local user and 2 remote users, port share mode allows local and remote users to gain access to a server simultaneously
- Easy-to-use switching by browser-based UI interface, hotkeys and pushbuttons
- Support servers with VGA/DVI/HDMI/DP port
- Multiplatform client support - Windows, Linux, Unix, Mac, Solaris (Sun), Redhat, Ubuntu
- Local Console, Browser, and AP GUIs offer a unified management interface
- Local resolution is up to 1280 x 1024@60Hz
- Support mouse synchronization mode-automatically synchronizes the local and remote mouse movements
- Video synchronization with local console - EDID information for local console display can be stored in the host module for video resolution optimization
- Keyboard and mouse emulation to ensure the normal booting
- Auto scan feature for monitoring user-selected computer
- Hot pluggable--add or remove computers without having to power down the switch

## Remote Console

- Adaptive 10 / 100 / 1000 Mbps network
- WEB browser-based remote management
- Resolution for remote console is up to 1920x1080@60Hz
- BIOS-level access
- Video quality and video tolerance can be adjusted to optimize data transfer speed, data transfer speed is up to 30 FPS
- Full screen or scalable video display
- Remote users and local users can control the same server/computer synchronously
- Support AES / DES / 3DES encryption
- Support audit function-allows the administrator to audit the device through the system log and operation log
- Exit Macros support
- Configurable user and group permissions for server access and control
- Support strong password
- Support firmware upgrade

## Connection Diagram



## Package Contents

- 1x KVM over IP console
- USB KVM Dongle (Optional)
- 2x Mounting Rails
- 1x Cat5e Shielded Cable
- 1x Power Cord
- 1x Ground Wire
- 1x Quick Start Guide
- 1x User Manual

## Specifications

Model		HT5708	HT5716	HT5724	HT5732
Computer Connections	Direct	8	16	24	32
	Max	8	16	24	32
Port Selection	Keyboard, Mouse	Button, UI, Web, Hotkey			
LCD Monitor	Model	SXGA TFT			
	View Area	17 "			
	Optimum Resolution	1280×1024@60Hz			
	Color	16.7 M (Typ)			
	Brightness	250 cd/m <sup>2</sup> (Typ)			
	Contrast Ratio	1000: 1			
	Pixel Pitch(mm)	0.264(H) × 0.264(W)			
Mouse	X/Y Resolution	>1000 points / inch, ( 40 points/mm )			
	Scroll Wheel	Supports Scroll Wheel function			
Keyboard		99 keys (82 keyboard + 17 number pad)			
Remote	Remote Control	KVM Control (ActiveX)			
	Management	Web			
	Security	DES Encrypted			
	Resolution	1920×1080@60Hz			
Power Input		100V- 240Vac, 50-60Hz, <1.5A			
Power Consumption		25W	27W	29W	31W
Operating Temperature		0 — 50 °C			
Store Temperature		-20 —60 °C			
Humidity		0 —80% RH, non-condensing			
Net Weight		13kg	13kg	13.2kg	13.2kg
Product Dimension (W × D × H)		448mm × 581mm × 42.5mm			
Package Dimension (W × D × H)		765mm × 615mm × 185mm			