

19" Cat5 LCD KVM over IP Switch

1-Local / 1-Remote Access

(HT1908 / HT1916 / HT1924 / HT1932)



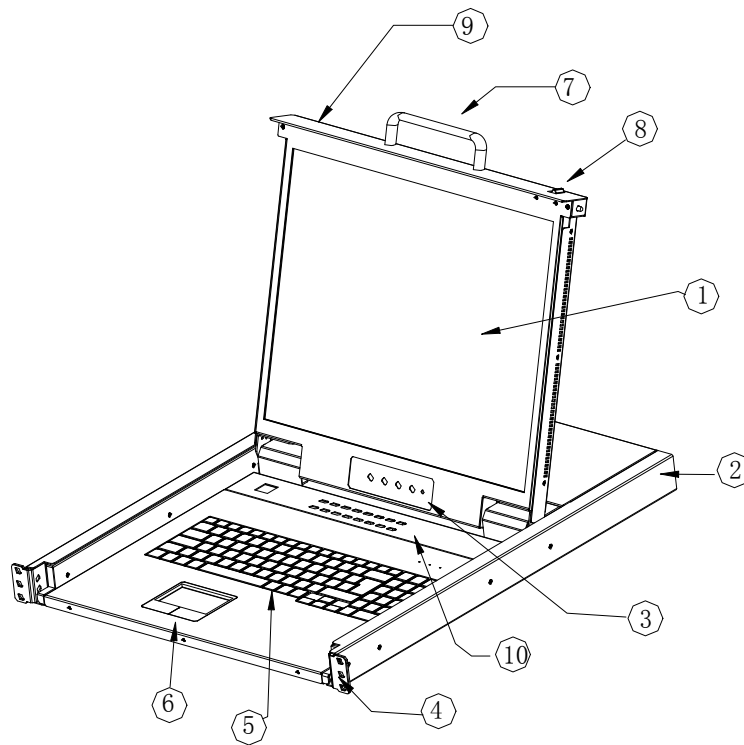
Overview

Featuring an integrated LCD monitor, keyboard, and touchpad in a 1U rack-mountable housing, the HT19xx series LCD KVM over IP Switch is a control unit that allows secure access to 8/16/24/32 computers from a single KVM console.

The HT19xx series features IP-based connectivity that allows local and remote operators to monitor and access the computers.

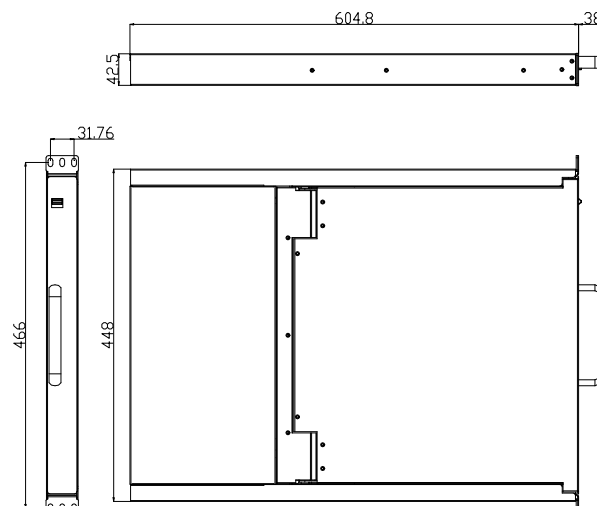
With TCP/IP communications protocol, the HT19xx series can be accessed from any computer on the LAN, WAN or Internet.

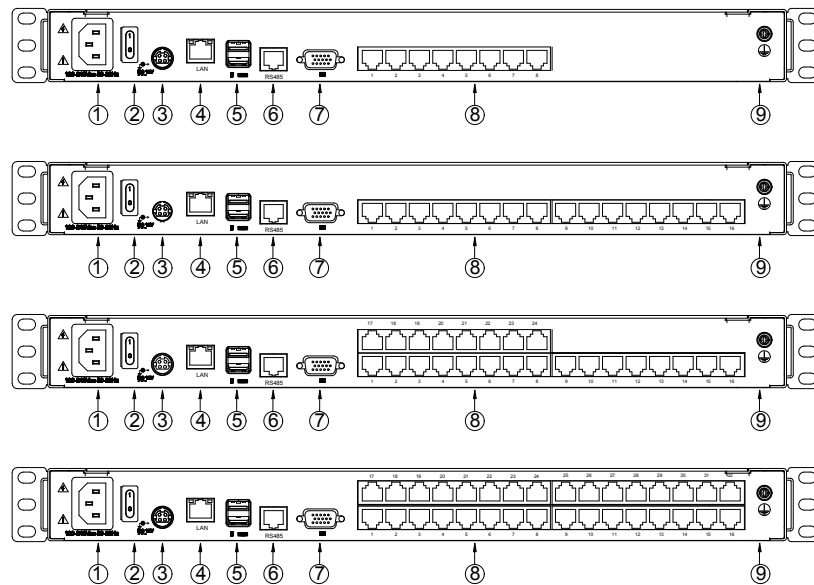
It's easy to set up the HT19 series KVM over IP switch, just plug the cable into the appropriate port, no software needed, no complicated installation procedures, and no compatibility issues. Connect computers with compact RJ-45 connectors and Cat 5e/6 cable, transmitting distance is up to 100m.



1	LCD Monitor	6	Touchpad
2	Rear Bracket Slot	7	Handle
3	Display Menu Buttons	8	Release Switch
4	Mounting Bracket	9	Display Panel
5	Keyboard	10	Port Selection Buttons

Structure





1	Power input(AC)	5	USB Port
2	Power switch	6	RS485 Port
3	Power input(DC)	7	Console Monitor Port
4	LAN port	8	Host Port
9	Ground Connection Screw		

Features

Hardware Features

- 17" & 19" TFT LCD monitor, high definition and high resolution
- Rack-mountable in a 1U EIA system rack
- Full size keyboard with integrated number pad
- Trackball eliminates the need for a separate, external mouse
- Dual power supply

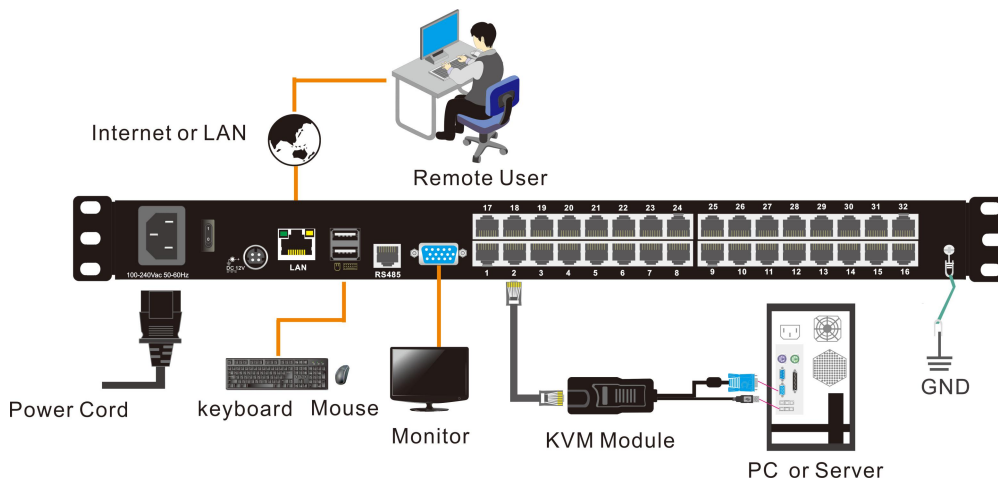
Local Console

- Control up to 8 / 16/ 24 / 32 computers
- Support 1 local user and 1 remote user, port share mode allows local and remote users to gain access to a server simultaneously
- Easy-to-use switching by browser-based UI interface, hotkeys and pushbuttons
- Support servers with VGA/HDMI/DVI/ DP port
- Multiplatform client support (Windows, Linux, Unix, Mac, Solaris (Sun), Redhat, Ubuntu)
- Supports a graphical interface for intuitive and convenient human-computer interaction- local resolution is up to 1280 x 1024@60Hz
- Supports mouse synchronization mode-automatically synchronizes the local and remote mouse movements
- Video synchronization with local console - EDID information for local console display can be stored in the host module for video resolution optimization
- Keyboard and mouse emulation to ensure the normal booting
- Broadcast mode--operations simultaneously performed on all selected computers
- Auto scan feature for monitoring user-selected computer
- Hot pluggable – add or remove computers without having to power down the switch

Remote Console

- Adaptive 10 / 100 / 1000 Mbps network
- WEB browser-based or KVM_Clients remote management
- BIOS-level access
- Video quality and video tolerance can be adjusted to optimize data transfer speed, up to 60 FPS
- Full screen or scalable video display
- Remote users and local users can control the same server synchronously
- Support AES / DES / 3DES encryption
- Support audit function-allows the administrator to audit the device through the system log and operation log
- Exit Macros support
- Configurable user and group permissions for server access and control
- Supports firmware upgrade

Connection Diagram



Package Contents

- 1x KVM over IP console
- USB KVM Dongle (Optional)
- 2x Mounting Rails
- 1x Shield Network Cable
- 1x Power Cord
- 1x Ground Wire
- 1x Quick Start Guide
- 1x User Manual

Specifications

Model		HT1908	HT1916	HT1924	HT1932
Computer Connections	Direct	8	16	24	32
	Max	8	16	24	32
Port Selection	Keyboard, Mouse	Button, UI, Web, Hotkey			
LED Monitor	Model	SXGA TFT			
	View Area	19 "			
	Optimum Resolution	1280×1024@60Hz			
	Color	16.7 M			
	Brightness	250 cd/m ²			
	Contrast Ratio	1000: 1			
	Pixel Pitch(mm)	0.2928(H) × 0.2928(W)			
Mouse	X/Y Resolution	>1000 points / inch, (40 points/mm)			
	Scroll Wheel	Supports Scroll Wheel function			
Keyboard		99 keys (82 keyboard + 17 number pad)			
Remote	Remote Control	KVM Control (ActiveX)			
	Management	Web			
	Security	DES Encrypted			
	Resolution	1920×1080@60Hz			
Power Input		100V- 240Vac, 50-60Hz, <1.5A			
Power Consumption		23W	25W	27W	29W
Operating Temperature		0 – 50 °C			
Store Temperature		-20 – 60 °C			
Humidity		0~80% RH, non-condensing			
Net Weight		13.4kg	13.4kg	13.6kg	13.6kg
Product Dimension (W × D × H)		448mm × 605mm × 42.5mm			
Package Dimension (W × D × H)		765mm × 615mm × 185mm			