

Rack Dual Rail KVM Console (8 Ports /16 Ports) User Manual



www.kinankvm.com

@all right reserved Shenzhen Kinan Technology Co., Ltd

Printing date: 2024/01

Version: V2.4

Contents

Overview.....	3
Description.....	3
Features.....	3
Structure and Size.....	5
Back view.....	5
Hardware Installation.....	6
Rack Mounting.....	6
Opening the console.....	8
LED instructions.....	12
LED OSD Configuration.....	12
OSD Operation.....	13
OSD Functions.....	14
F1-ADM.....	15
F2-Scan.....	18
F3-Set.....	19
F4- Tool.....	21
F6-Edit port names.....	22
F7-Set quick view port(QV).....	22
F8-LOUT.....	22
USB keyboard emulation.....	24
Mac keyboard.....	24
Sun keyboard.....	25
Appendix.....	26
Specifications (17").....	26
Specifications (19").....	27

Overview

Description

The LED and keyboard/touchpad modules slide independently of each other, the keyboard/touchpad module slides back to “hide away” when not in use, while the thin profile LED monitor rotates back → flush against the rack → allowing administrators to easily monitor computer.

To make it more convenient, external USB or PS/2 keyboard/mouse/monitor are added to rear panel.

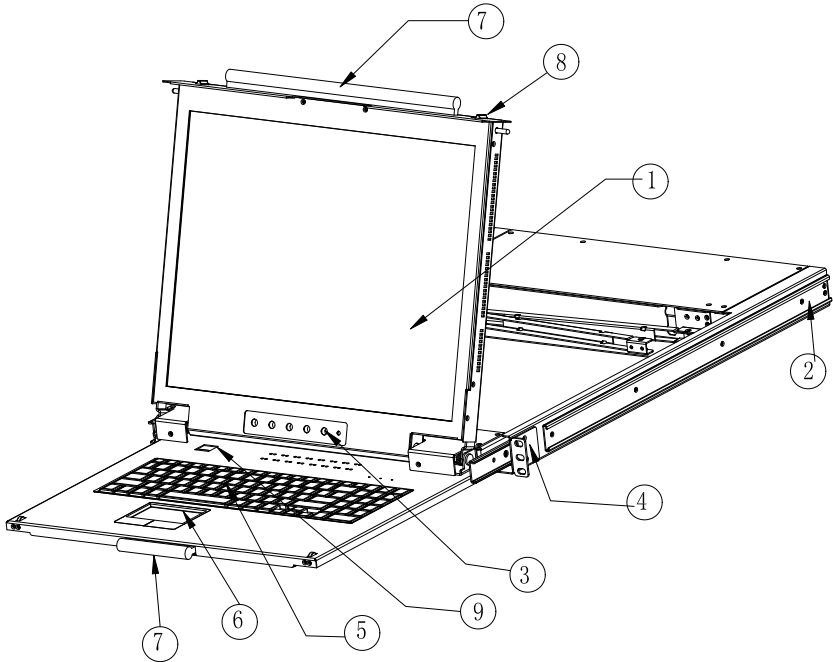
Features

- 19" TFT LED monitor with highlight high definition and high resolution.
- KVM console with 19" monitor in a standard 19" housing with top and bottom clearance in a 1U high metal rack.
- Dual rail design-LED monitor slides independently of keyboard/tuochpad module.
- Ultra-slim 99 keys keyboard with small numeric keyboard and standard PS/2 port.
- Touchpad with two function buttons and scroll wheel to realize high resolution and flexibility.

Switch function

- A single USB console controls up to 8 or 16 computers
- By daisy chaining up to 31 additional Combo-KVM, as many as 512 computers can be controlled from the single KVM console which supports 8 or 16 ports KVM seamless mixed cascade connection
- Supports wireless keyboard and mouse from different suppliers
- Two level password security--only authorized users view and control computers; up to four users and an administrator with a separate profile for each
- Users can set up different hot keys(**【Scroll Lock】** / **【Caps Lock】** / **【F12】** / **【Ctrl】**), auto scanning time, port display time, log out time, buzzer on/off and mouse on/off according to their different needs
- Broadcast mode--operations simultaneously performed on all selected computers
- Multiplatform support--Windows, Linux, Mac and Sun
- Supports multimedia USB keyboard (PC, Mac and Sun)
- USB keyboard emulation--computer boot even the console focus is else where
- Convenient computer switching via front panel pushbuttons, hotkeys, OSD menu
- Automatically shows the computer position on the front panel LED screen under daisy chaining connection without DIP set by hand
- Auto scan feature for monitoring user-selected computers
- Hot pluggable --add or remove computers without having to power down the switch
- Quickly select your computer by naming the server or inputting SN number of the server

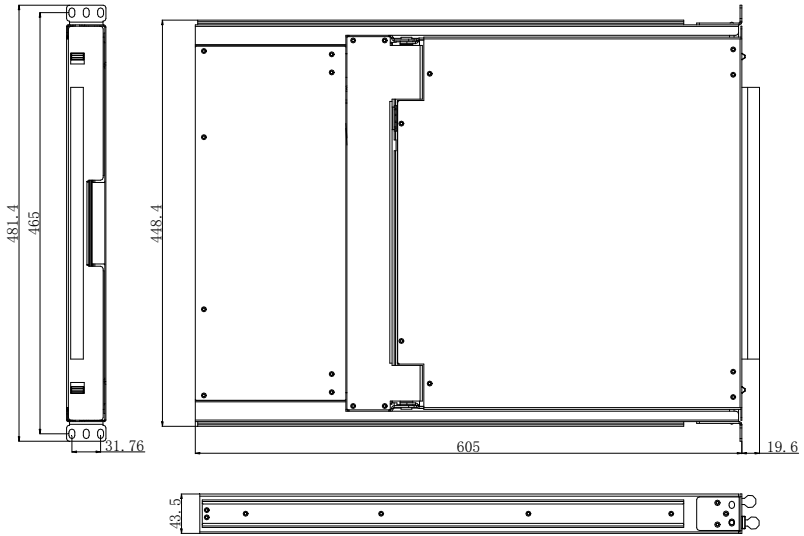
Front view (see diagram1-1.1)



1-1.1 front view

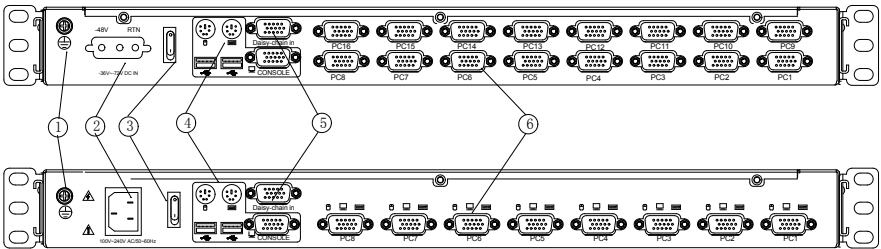
- 1. LED Module
- 2. Rear Bracket Slot
- 3. LED OSD Controls
- 4. Front Bracket
- 5. Keyboard
- 6. Touchpad
- 7. Handle
- 8. Release Catch
- 9. Switch LED

Structure and Size



1-1.2 Structure and Size

Back view



1-1.3 Back view

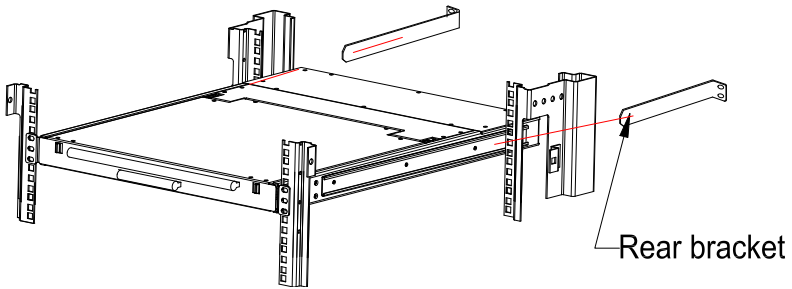
1. Ground connection screw
2. Power input (AC or DC)
3. Power switch
4. Console
5. Cascade port
6. PC port: 8/16 port (integrating VGA/keyboard/mouse input port)

Hardware Installation

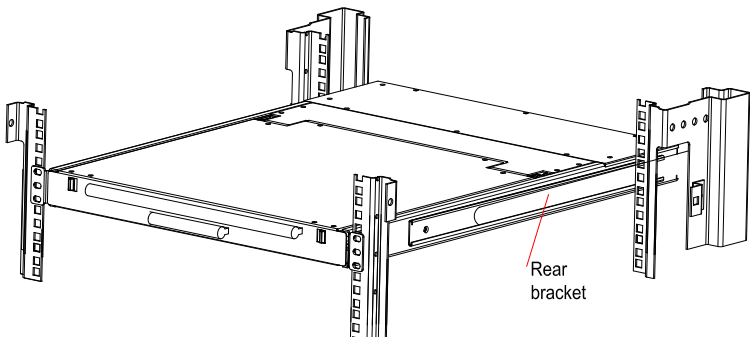
Rack Mounting

A standard rack mounting kit is provided to mount the switch in a depth of 610-950mm (19") in a standard 19" rack.

With one person hold the switch in place and the other person slides the L bracket into the switch's side mounting brackets from the front to the back, then screws the brackets to the rack. (See below installation diagram)



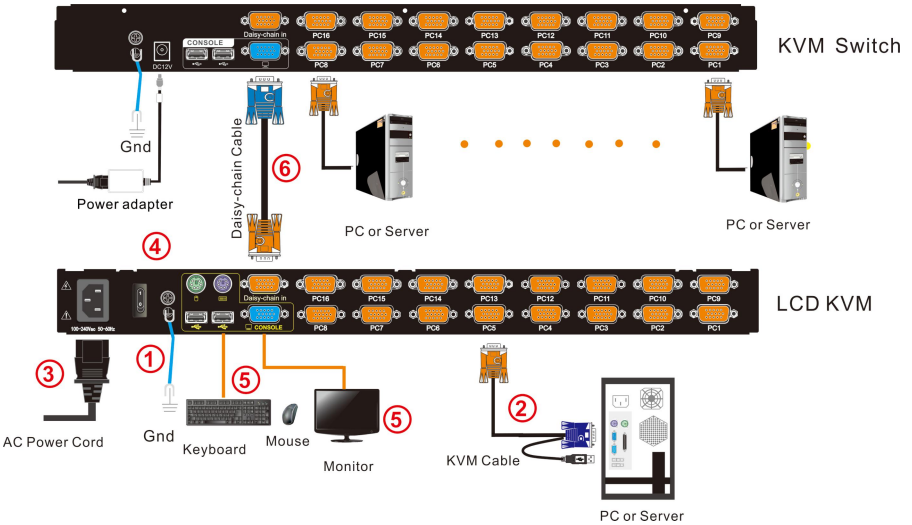
1-2.1 rack mounting (1)



1-2.2 rack mounting (2)

Installation instruction

- 1) Ensure the rack mounting KVM switch has been connected to the ground (① in the diagram)
- 2) Connect KVM switch with the computer according to ② in the diagram
- 3) Connect power cable to KVM port as shown in ③ in the diagram
- 4) Turn on the power, the KVM start to work after power on (④ in the diagram)



Note: 1) Connect monitor, USB or PS/2 keyboard and mouse to Console port to connect another console. (⑤ in the diagram)

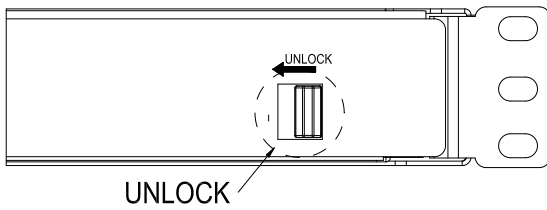
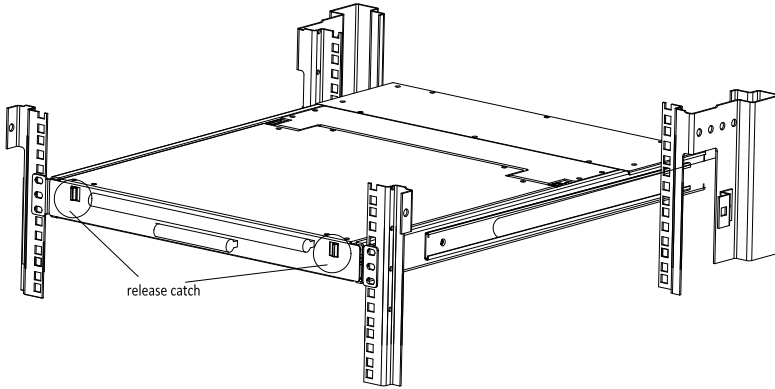
*explain: Not supports OSD on external display, to switch via hotkey **【Ctrl】** , see details on page 20 about OSD Hotkey function instructions

- 2) Daisy chaining multiple KVM switches according to ⑥ in the diagram. Plug the yellow port of daisy chaining cable in the yellow “Daisy-Chain in” DB15 port on KVM series console, then plug the other blue port in the blue “Console” DB15 port on KVM series switch, etc.

To ensure signal integrity and simplify cable layout, we strongly recommend you using high quality cables with different length as shown in above table.

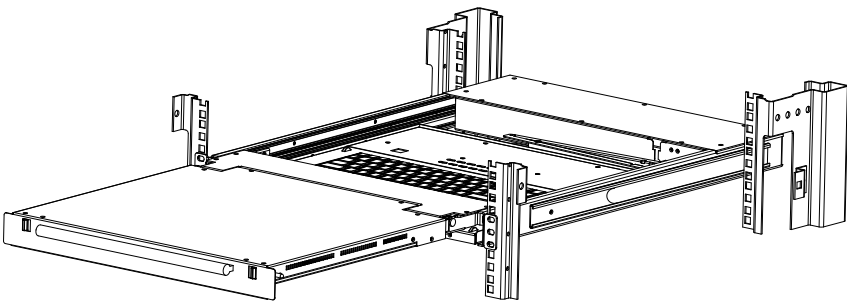
Opening the console

- Release the release catch.

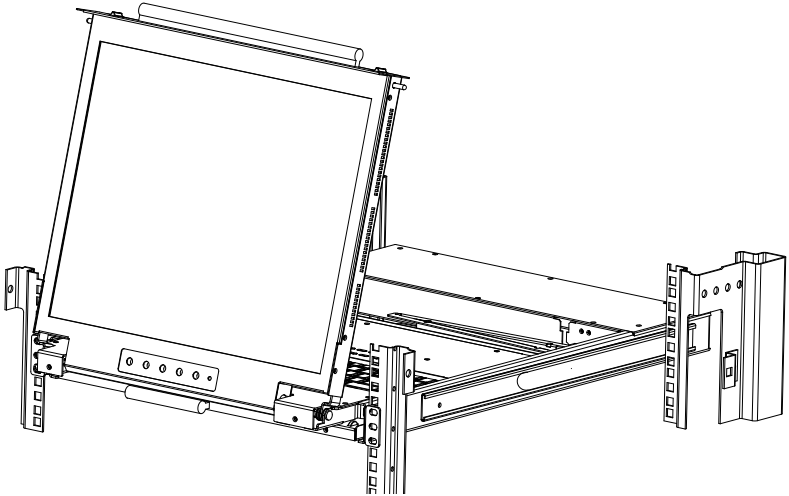


2-1 unlocking

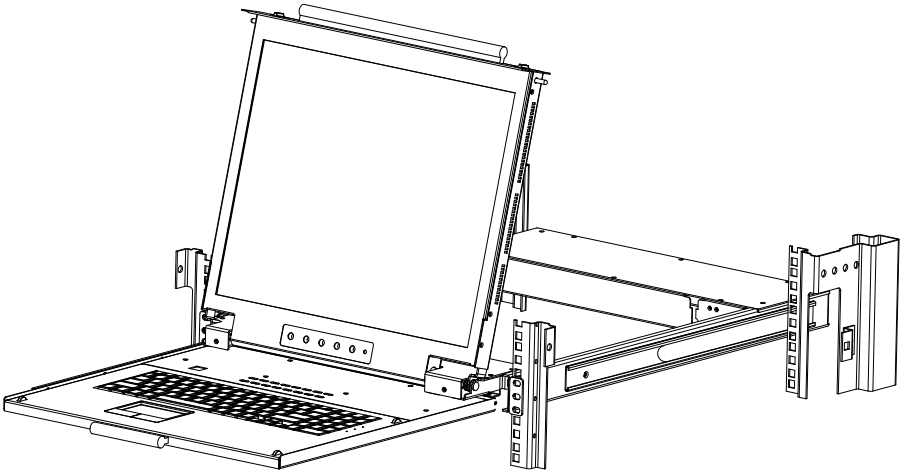
- Pull the LCD panel all the way out until it clicks into place.



- Rotate the LED module all the way back to expose the LED screen; the LED module can be rotated up to 108°.

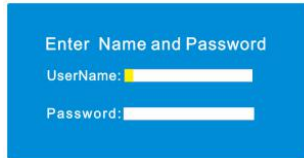


- Pull the keyboard module all the way out until it clicks into place.



Note: The keyboard module can't bear extra load.

- The KVM makes two “beep” sounds and the LED flashes three times after power on.It automatically selects the first port after the orange light changed into flashing state, the LED shows 01 and a screen similar to the below appears with OSD prompt to enter the account and password.

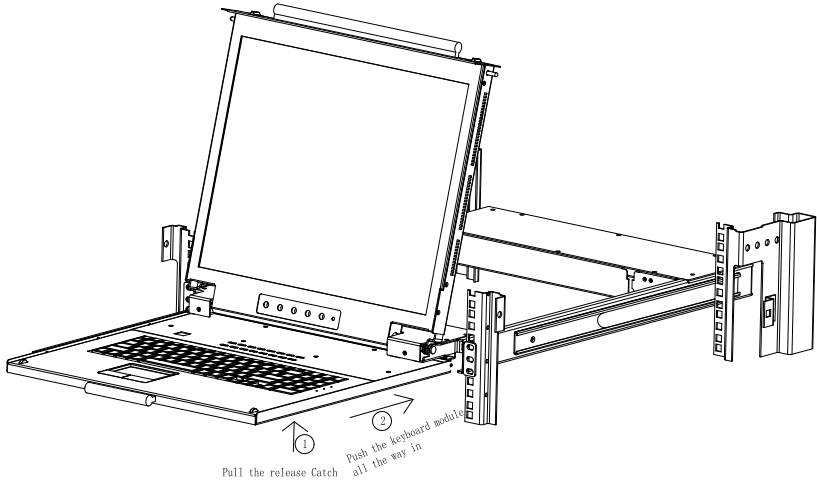


2-1.5 password window

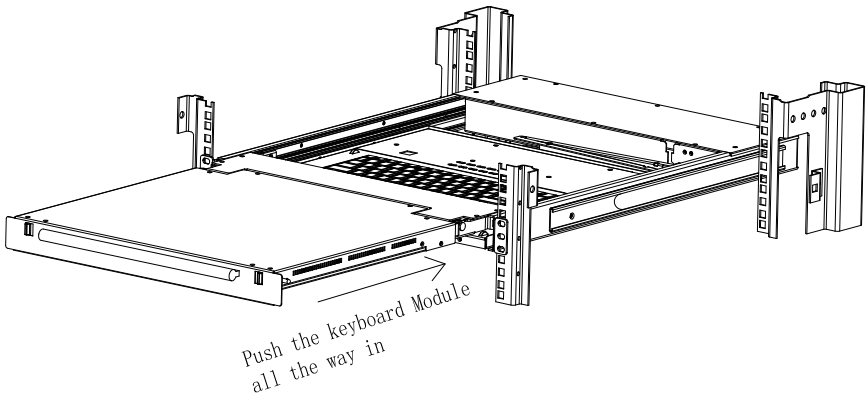
- LED is powered on when the power LED is green.
- Power on computer or server after power on KVM and you will see green light at corresponding port that has connected.
- The factory default password is blank, it will be OK after double click “Enter”.
*NOTE: The username and password are no more than 16 characters, Press and hold the Shift key to type lowercase letters.
Please contact the manufacturer for support if the KVM is locked.

Closing the console

- Pull the release catches at the bottom of the keyboard to release the keyboard module.
- Push the keyboard module all the way in.



- Rotate the LED module all the way down, and then pulls the rear catches to release the module.
- Push the module all the way in, it automatically locks and shut down the power.



LED instructions



3-1.1 front view

Serial No.	Components	Function
1	Port Selection Buttons& LEDs	Indicator LEDs are built into the switches, the online LED light is on the left and the selected LED light is on the right. 1) An online LED light (orange) indicates that the KVM has connected to its corresponding computer and power on. 2) A selected LED light (green) indicates that the computer attached to its corresponding port is up and running.
2	Station ID	Display the current port

Table 3-1.1 LED buttons instructions

LED OSD Configuration



The LED OSD allows you to set up and configure the LED display.

Buttons	Functions
MENU SELECT	Press this button invokes the menu function and brings up the main menu.
EXIT/AUTO	Press EXIT exits the current menu and return to the previous menu or press this button exits the LED OSD. Press AUTO for automatic configuration.
SL-/SL+	Press this button moves your menu to make corresponding adjustment.
LED state	Green: running Red: power off or access non standard VESA signal Flash green: energy saving mode or no signal

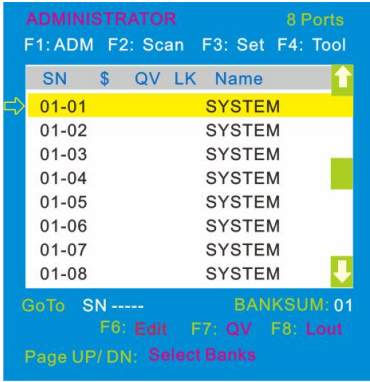
Table 3-1.2 LED OSD configuration instruction

Press AUTO when the screen migrates after power on or under other circumstances, then the screen auto configures to its best display state. (It might can't be adjusted to its best state if part of the display mode is not standard VESA mode, if so, return back to OSD menu to RESET, then it will back to normal.

We suggest our customers to set up the display mode at 1280x1024, refresh rate at 60Hz.

OSD Operation

Double click the right buttons of the mouse or double click hotkey **【Scroll Lock】** to invoke below OSD main menu. You can customize the OSD hotkeys, find more details in OSD function instructions.



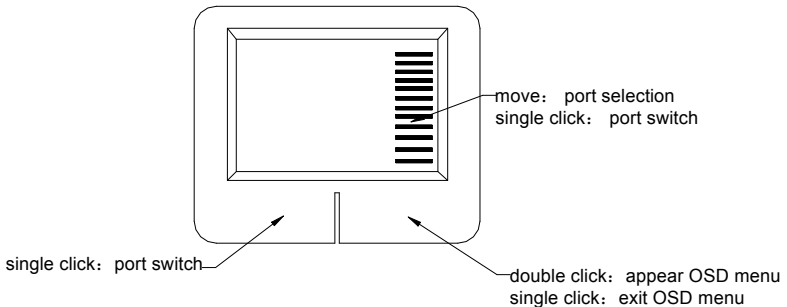
Headings	Explanation
SN	level number-port number
⇒	It shows the computer port is under monitoring.
\$	The computers are power on and are online
QV	"#": quick view the port "BC": Broadcast port
LK	"@" shows that the port is only available for viewing
Name	Port name, the maximum is 12 bytes

table 4-1.1: OSD interface

To access the OSD menu through keyboard:

1. In the submenus that appear, moving the highlight bar to your selected port and then press Enter.
2. Press **【Page Up】** or **【Page Down】** quickly moves to next BANK
3. Press any key from **【0-9】** to enter any port of current station, type BANK+PORT to enter other stations.

To access the OSD menu through keyboard:



*Note: Operate via keyboard after invoke the OSD menu via the touchpad.

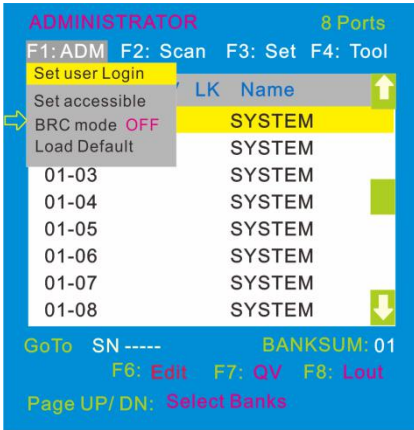
OSD Functions

Menus	Keys	Submenu/explanation
ADM	F1	Set User login: account and password Set accessible: Set access permissions BRC Mode: monitor multiple computers at the same time Load Default: reset the menu to the original factory default settings
Scan	F2	All: Lists all the ports on the installation Power On: lists only powered on ports that have attached computers. Quick View: Lists only the ports that have been selected as Quick View ports
Set	F3	Auto Scan: set scanning time period Port ID: set how long a port displays on the monitor OSD Hotkey: set OSD hotkeys Lout Time off: to set the time out value
Tool	F4	Reset KM: press Enter resets keyboard and touchpad Beeper 【On】 : press Enter switch Bee sounds Mouse Hot 【On】 : press Enter to shut down touchpad operating on OSD. Restore Values: press Enter restore the current user default value. About KVM: Press Enter shows the KVM version
Edit	F6	Edits port names
QV	F7	Start or close Quick View
Lout	F8	Log out/blank the console screen
Exit	Esc	Press this key exits OSD menu
	Scroll Lock	Press this key exits OSD menu
	Num Lock	Press this key exits OSD menu

Table 4-1.2

F1-ADM

● **Menu overview**



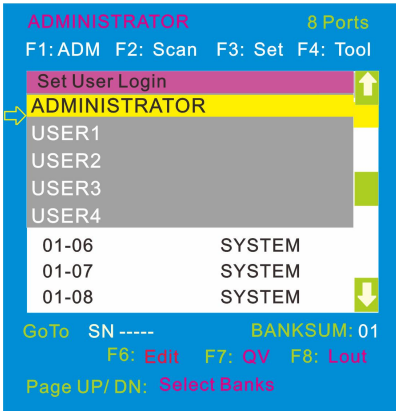
Operating instructions

- 1) Press **[F1]** or **[←][→]** enters the F1 submenus.
- 2) Press **[↑][↓]** moves the highlight bar to select the submenu.
- 3) Press **[Enter]** selects and exits ADM menu.
- 4) Press **[Esc]** cancels the operation and exits ADM menu.

● **Menu explanation**

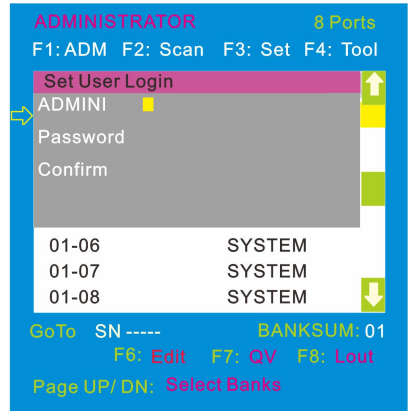
1. Set User Login—Press [Enter] and select Set User Login, a screen as below diagram 4-1.1 appears:

One administrator and four users account can be set (The username and password are no more than 16 characters, Press and hold the Shift key to type lowercase letters.)



4-1.1

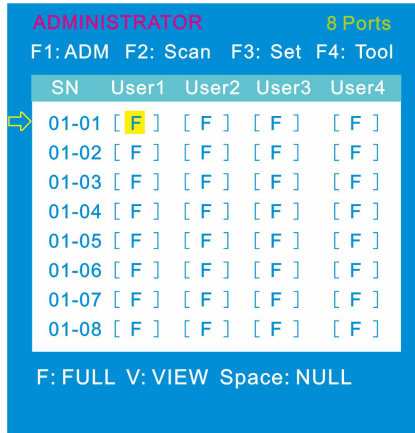
Enter
→



4-1.2

Note: You can set up an account and password according to diagram 4-1.2, then a “ User setup ok” pops up showing you have done your set, and “Password Not Match” pops up, you need to type in your password again as you did in your first type.

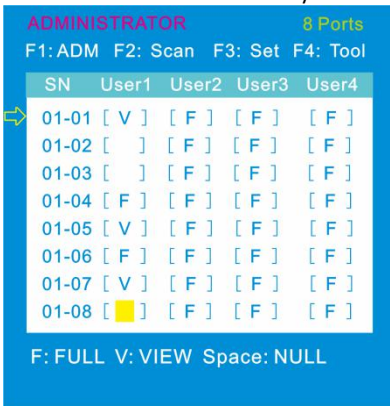
2. Set accessible—press [Enter] and select Set Access Permission, then below menu appears: (diagram 4-1.3):



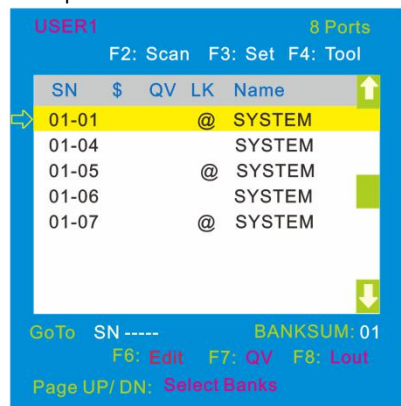
4-1.3

Menu	Explanation
FULL	Full access function to the station and can do any operation to the ports
VIEW	View only function, you can only view the port but you can't operate it if set this function.
NULL	If you set this function, the port will be not displayed on the user's OSD menu

Note: The administrator always has full access to all the ports.



4-1.4



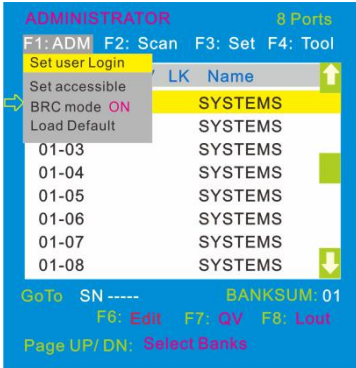
4-1.5

Fig.:1). If you want to set access permission of [User1], press **[Space]** to choose the permission options you need to set.

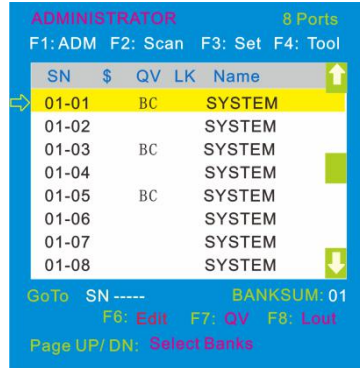
2). [User1] log in OSD menu, as shown in diagram 4-1.5.

3. BRC Mode - Press **【Enter】** to enter the BRC mode. Enter the main menu, press **【F7】** to add or remove a port that need broadcast function. When BRC mode is effect, a speaker symbol appears in QV column. (see below diagrams).

While BRC mode is in effect, we can operate multiple computer ports simultaneously, but the mouse is not function normally.

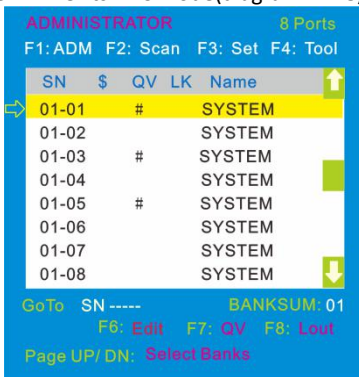


4-1.6



4-1.7

- 1) Open BRC mode
【F1】 ->BRC Mode OFF->press **【Enter】** -> BRC Mode ON (see diagram 4-1.6)
- 2) Open the port that need broadcast function
 Press **【↑】【↓】** key—>select the port that need broadcast function →press **【F7】** → a “BC” symbol appears in the QV column which shows the port has entered broadcast mode.
- 3) Close the broadcasting port
 Press **【↑】【↓】** key—>select the port →press **【F7】** →exit BRC mode and the “BC” symbol disappears
- 4) Exit BRC mode
 Invoke OSD main menu → **【F1】** ->BRC Mode ON ->press **【Enter】** --> BRC Mode OFF, the KVM exits BRC mode(diagram 4-1.8)



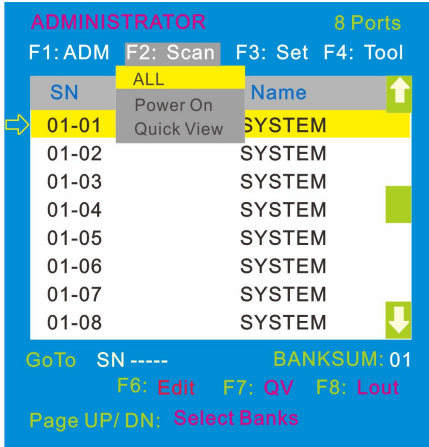
4-1.8

Press **【F1】** ->BRC Mode OFF ->press **【Enter】** ,enter the main menu, all “#” symbols turn into “BC” symbol(diagram 4-1.7)

4. Load Default--- press **【Enter】** and select Load Default, all the set values are restore to original factory default settings.

F2-Scan

- **Menu overview**



Operating instructions

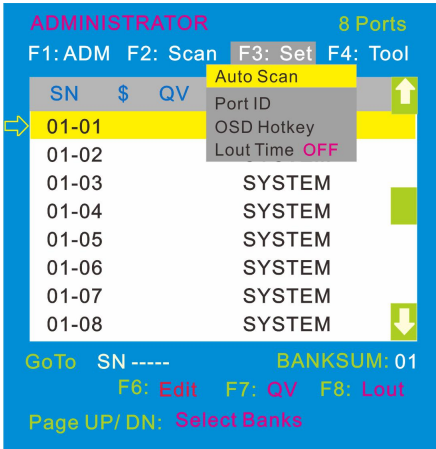
- 1) Press **【F2】** or **【←】【→】** enters the F2 submenu.
- 2) Press **【↑】【↓】** moves the highlight bar to select the submenu.
- 3) Press **【Enter】** selects and exits Scan menu.
- 4) Press **【Esc】** cancels the operation and exits SCAN menu.

- **Menu explanation**

Submenu	Explanation
All	Use this function to scan all ports according to the set scanning interval.
Power On	Use this function to scan all ports with “\$” according to the set scanning interval.
Quick View	Use this function to scan all ports with “#” quick view symbols according to the set scanning interval.

F3-Set

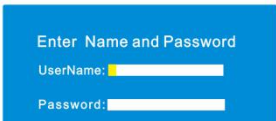
- **Menu overview**



Operating instructions

- 1) Press **【F3】** or **【←】【→】** enters the F3 submenus.
- 2) Press **【↑】【↓】** moves the highlight bar to select the submenu.
- 3) Press **【Enter】** selects and exits Set menu.
- 4) Press **【Esc】** cancels the operation and exits Set menu.

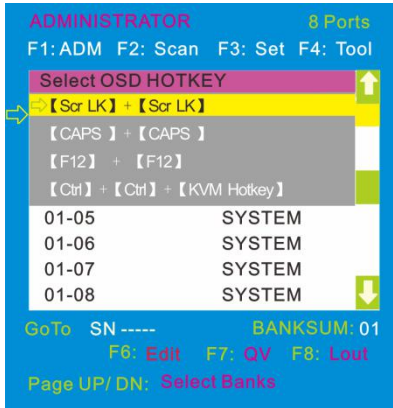
- **Menu explanation**

Submenu	Default value
Auto Scan	5S (effective range 5-99)
Port ID	0S: not display the port ID 1-98S: display the seconds, maximum 98s 99S: permanent display
OSD Hotkey	【Scroll Lock】 + 【Scroll Lock】 【Caps Lock】 + 【Caps Lock】 【F12】 + 【F12】 【Ctrl】 + 【Ctrl】 + 【KVM Hotkey】
Lout Time off	0: close the screen saver setting 01-99M: set the screen saver timeout Note: It is automatically log out if the current operator is no longer operate for a while, then the KVM will be locked and you need to enter user name and password to operate again: 

OSD Hotkey Operation

Operating instruction

1. Press **【F3】** and move the highlight bar with **【↓】** to select “OSD Hotkey” submeun. Press **【Enter】** and below screen appears:
2. KVM default hotkey: **【Scroll Lock】**



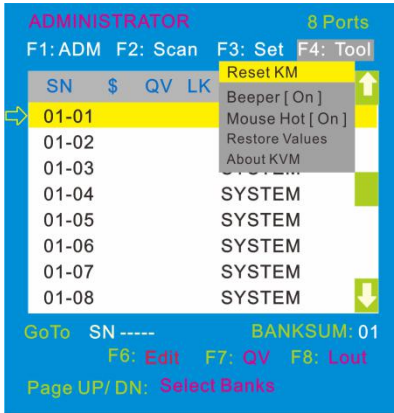
2. Select the “ **【Ctrl】【Ctrl】 + 【KVM Hotkey】** ” and press **【Enter】** , and then the **【Ctrl】** hotkey is available in this hotkey mode, the mouse hotkey can't enter the OSD menu

Invoke hotkey: double click **【L_Ctrl】** + the corresponding function key

Function	Operating	Function description
Switching port	+ 1~8	Skip ports from 1~8, Eg.: Double click 【L_Ctrl】 plus 2 to skip to the second port of the current station.
	+ F1~ F8	Skip ports from 9-16
	+ ↑/↓	Skip to previous/next port
Auto scanning	+ S	1.Auto Scan automatically scan ports that attached PC or server. Users can set the scan duration in OSD menu and press any key to exit scanning mode. 2.Move the mouse to extend scan interval.
Invoke OSD main menu	+ “space”	This allows you to invoke OSD main menu (see OSD menu operation)

F4- Tool

● Menu overview



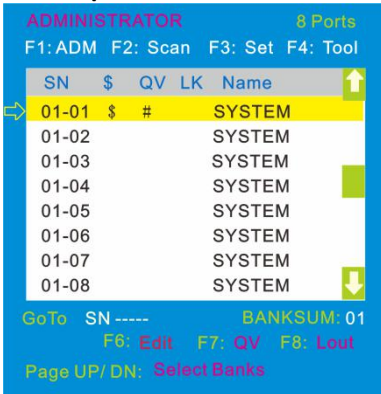
Operating instructions

- 1) Press **【F4】** or **【←】【→】** enters the F4 submenus.
- 2) Press **【↑】【↓】** moves the highlight bar to select the submenu.
- 3) Press **【Enter】** selects and exits Tool menu.
- 4) Press **【Esc】** cancels the operation and exits Tool menu.

● Menu explanation

Submenu	Instruction
Reset KM	Initialize the keyboard and mouse that connected to KVM when they are break down.
Beeper 【On】	The beeper can be turned on or off with this function.
Mouse Hot 【On】	To open and close the mouse with this function. We can't operate the OSD when it is 【Off】 .
Restore Values	Restore to original factory default values.
About KVM	It shows the KVM version information.

F6-Edit port names



- Select the port with 【↑】【↓】 key;
- Press F6 and key in the new name or modify the old one, then press Enter to save the name and exit editing.
- Press 【Esc】 to cancel and exit the editing.

Note:

The NAME characters include:

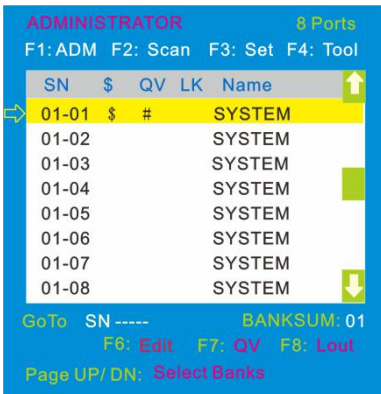
All alpha characters: A-Z

Press and hold the Shift key to type lower case letters

All numeric characters: 0-9

Default value: SYSTEM

F7-Set quick view port(QV)



- Select ports with 【↑】【↓】 keys;
- Press F7 to include current port as Quick View, then an arrowhead appears in the QV column to indicate so.

Note:

Press F7 to cancel the QV symbol is the current port has already had a QV arrowhead symbol in its QV column; if you want to cancel all the QV function, press Restore Values under F4: Tool. (The port name restores to default setting at the same time.)

F8-LOUT

- Press 【F8】 exits the OSD main menu and fully exits current port, then the log in window appears:



- Users must log in all over again to regain access to the OSD.

Setting OSD default values

Settings	Default values
OSD hotkey	【 Scroll Lock 】 【 Scroll Lock 】
Original user name	【 Enter 】
Original password	【 Enter 】
Port display duration	0 seconds
Port display mode	Bank No.+Port No.+Port name
Port name	SYSTEM
Scan duration	5 seconds
Scan mode	All
Auto log out	【 Esc 】

Operating system








Support operating system:

Operating system		Version
Windows		2000 or higher
Linux	RedHat	6.0 or higher
	SuSE	8.2 or higher
	Mandriva(Mandrake)	9.0 or higher
UNIX	AIX	4.3 or higher
	FreeBSD	3.51 or higher
	Sun	Solais8 or higher
Nove11	Netware	5.0 or higher
Mac		8.6 or higher
DOS		6.2 or higher

USB keyboard emulation






Mac keyboard

The PC compatible (101/104 keys) keyboard can emulate the functions of the Mac keyboard. The emulation mappings are listed in the below table:

PC keyboard	MAC keyboard
[Shift]	Shift
[Ctrl]	Ctrl
	
L_Win & "1"	
L_Win & "2"	
L_Win & "3"	
L_Win & F12	
[Alt]	Alt
[Print Screen]	F13
[Scroll Lock]	F14
	=
[Enter]	Return
[Backspace]	Delete
[Insert]	Help

Sun keyboard

The PC compatible (101/104 keys) keyboard can emulate the functions of the Sun keyboard when the control key [L_Win] is used in conjunction with other keys. The corresponding functions are shown in the below table:

PC keyboard	Sun keyboard
L_Win&L_Alt	Stop
L_Win&F4	Again
L_Win&L_Ctrl	Props
L_Win&F5	Undo
L_Win&F1	Front
L_Win&F6	Copy
L_Win&F2	Open
L_Win&F7	Paste
L_Win&F3	Find
L_Win&F8	Cut
L_Win&"1"	V_DN 
L_Win&"2"	Mute 
L_Win&"3"	V_UP 
L_Win&F12	Power 
L_Win&F11	Help
L_Win&L_Shift	Compose
	◆

Appendix

Specifications (17")

		Model	DL1708	DL1716
Computer connections	Direct		8	16
	Max		256	512
Port emulation	Keyboard, mouse		PS/2, USB	
LED monitor	LED model		SXGA TFT	
	View area		17 "	
	Optimum resolution		1280×1024@60Hz	
	Display color		16.7 M	
	Brightness		250cd/m ² (Typ)	
	Contrast ratio		1000 : 1 (Typ)	
	Pixel pitch(mm)		0.264(H) × 0.264(W)	
Mouse	X/Y resolution		>1000 points /inch, (40 points/mm)	
	Roll wheel		Supports scroll wheel function	
Keyboard			99 keys (82 keys main keyboard +17 independent small numeric keyboard)	
Port selection			hotkeys, OSD menu	
Input power			100V- 240Vac, 50-60Hz, <1.5A	
Power consumption			17W	19W
Mounting distance			610~950mm (L=420mm) Mounting rails can be customized for other mounting distance.	
Operating temperature			0—50 °C	
Store temperature			-20—60 °C	
Humidity			0—80% RH, non-condensing	
Net weight			13.4kg	13.6kg
Product dimension (W × D × H)			448mm×605mm×43.5mm	
Package dimension (W × D × H)			765mm×615mm×185mm	
Optional power input			-36V— -72V DC	

Specifications (19")

		Model	DL1908	DL1916
Computer connections	Direct		8	16
	Max		256	512
Port emulation	Keyboard, mouse		PS/2, USB	
LED monitor	LED model		SXGA TFT	
	View area		19"	
	Optimum resolution		1280×1024@60Hz	
	Display color		16.7 M	
	Brightness		250cd/m ² (Typ)	
	Contrast ratio		1000 : 1 (Typ)	
	Pixel pitch(mm)		0.2928(H) × 0.2928(W)	
Mouse	X/Y resolution		>1000 points /inch, (40 points/mm)	
	Roll wheel		Supports scroll wheel function	
Keyboard			99 keys (82 keys main keyboard +17 independent small numeric keyboard)	
Port selection			hotkeys, OSD menu	
Input power			100V- 240Vac, 50-60Hz, <1.5A	
Power consumption			21W	23W
Mounting distance			610~950mm (L=420mm) Mounting rails can be customized for other mounting distance.	
Operating temperature			0—50 °C	
Store temperature			-20—60 °C	
Humidity			0—80% RH, non-condensing	
Net weight			13.6kg	13.8kg
Product dimension (W × D × H)			448mm×605mm×43.5mm	
Package dimension (W × D × H)			765mm×615mm×185mm	
Optional power input			-36V— -72V DC	

FAQ

1. When connect and use for the first time, the KVM console does not work properly.
Solutions:
Please re-connect the KVM console according to instructions:
 - 1) Disconnect all the signal cables or power cords connected to the KVM console.
 - 2) Power on the KVM console, a screen will pop up for entering the user name and pass word window after indication sound from the beeper.
 - 3) Type in the right user name and pass word, then the OSD menu will pop up from the KVM system. The initial pass word is press "Enter" twice.
 - 4) Check the switch functions about the KVM console.
 - 5) Connect one server to one of the KVM port with KVM signal cable, to check the KVM switch function, keyboard and mouse, if not works, try to reboot the server.
 - 6) After successfully completing above steps, try to add servers until meet needs.
2. No user name and pass word window pop up or the pop up user name and pass word window is not properly displayed after power on.
Solutions:
 - 1) Check the power (AC or DC) output.
 - 2) Make sure you have heard the indicating sound from the beeper and the LED lights are on after starting up the computer.
 - 3) Check whether the LED monitor is power on and make sure the LED monitor has been connected to the KVM console.
3. Can't log in the KVM system after boot up.
Solutions:
 - 1) Make sure the KVM keyboard is working properly.
 - 2) Make sure you have typed in the right user name and pass word, the initial pass word is blank, you can just press "Enter" to log in.
4. Can't switch to some KVM ports after log in the system.
Solutions:
 - 1) Invoke the OSD main menu and check the user name on the top left, make sure the user has got the access permission from the administrator.
 - 2) Please contact the distributor or the KVM manufacturer.
5. Poor server/PC display quality.
Solutions:
 - 1) Make sure the signal cable has been connected.
 - 2) Reset the LED monitor's display settings.

6. After switch to one port, we found the keyboard and mouse do not work properly.
Solutions:
- 1) Make sure you have exited the OSD menu.
 - 2) Invoke the OSD main menu and check the user name on the top left, make sure the user has got the access permission from the administrator.
 - 3) Pull out the USB port of the server (PC) then plug in.
7. Can't invoke the OSD menu.
Solutions:
- 1) Check the keyboard, make sure it works properly
 - 2) Double click **【 Scroll Lock 】** to invoke the OSD.
 - 3) Double click **【 F12 】** to invoke the OSD.
 - 4) Double click **【 Caps Lock 】** to invoke the OSD.
 - 5) Double click **【 L_Ctrl 】 + 【 space 】** to invoke the OSD.
8. The OSD code is in disorder or abnormal displayed when cascading.
Solution:
Invoke the OSD menu after cascade connection, press **【 F1 】** and choose **【 Load default 】** ,then press enter to refresh OSD ROM.