

17" Rack-Mount LCD Console

(VGA / DVI)

LS3701



Overview

The LS3701 DVI VGA LCD Console is a short depth single rail LCD KVM console featuring a 17" LCD monitor with an integrated keyboard and touchpad. It supports two types of video input – DVI and VGA – allowing users to connect the console and the computer via any of the two types of video source.

Features

- 17 in. LCD monitor, keyboard, numeric keypad and touchpad
- All-in-one control of computer, server or KVM Switch
- Support two types of video inputs - DVI, VGA
- 17" LCD screen offers resolutions of up to 1280 x 1024@60Hz
- Ultra thin 99-key US keyboard with numeric keypad
- Integrated touchpad - Eliminates the need for a separate, external mouse
- Supports hot-plugging
- Auto locking slide rail

Appearance

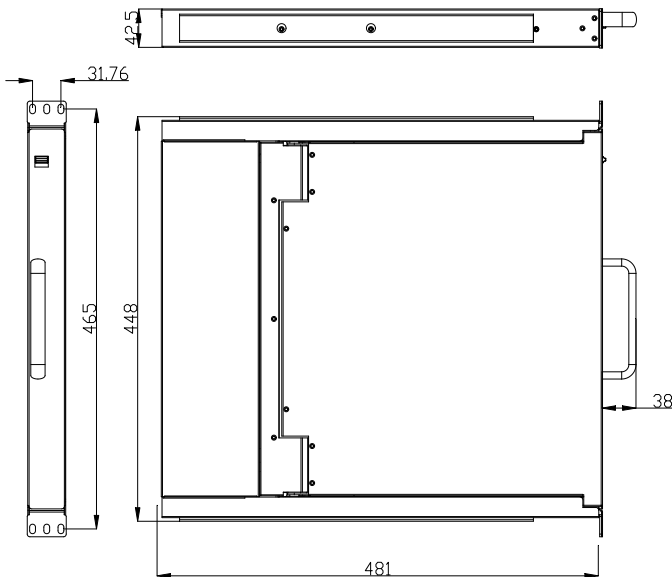


Figure 1.1 appearance

Front View

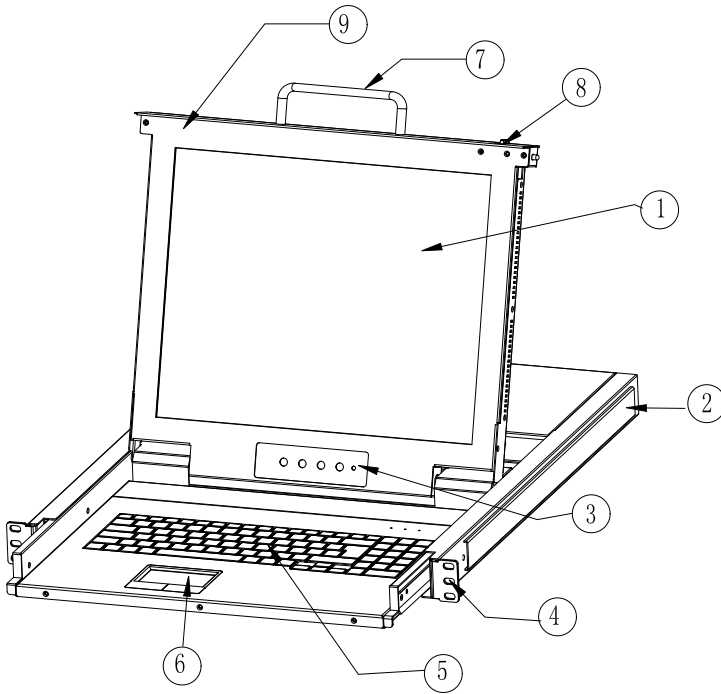


Figure 1-2 Front View

- | | |
|----------------------|------------------|
| 1. LCD monitor | 6. Touchpad |
| 2. Rear Bracket Slot | 7. Handle |
| 3. OSD Controls | 8. Release Lock |
| 4. Front Bracket | 9. Display Panel |
| 5. Keyboard | |

Rear View

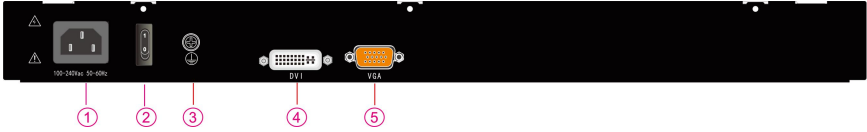



Figure 3-1 rear view

No.	Components	Function
1	100V-240Vac	Power input
2		Power switch
3		Ground connection
4	DVI	DVI video input
5	VGA	VGA video input

Connection Diagram

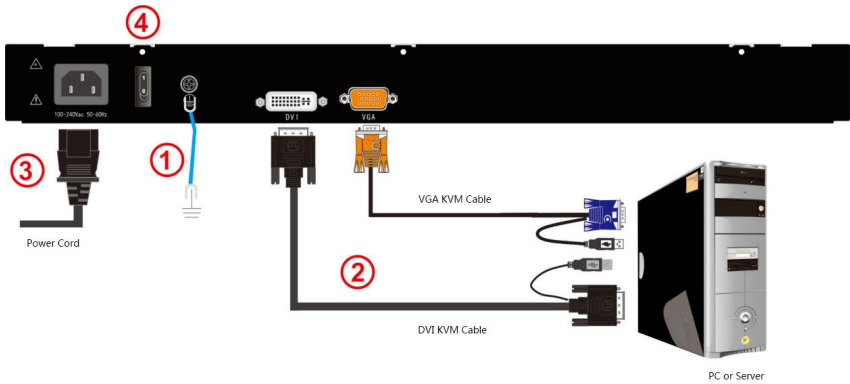


Figure 3-2 Connection Diagram

Specifications-17"

Model		LS3701
Computer Connections	Direct	1
	Max	1
Port emulation	Keyboard, mouse	PS/2, USB
LCD monitor	LCD model	SXGA TFT
	View area	17"
	Optimum resolution	1280×1024@60Hz
	Display color	16.7 M
	Brightness	250cd/m ² (Typ)
	Contrast ratio	1000 : 1 (Typ)
	Pixel pitch(mm)	0.264(H) × 0.264(W)
Mouse	X/Y resolution	>1000 points / inch,(40 points/mm)
	Scroll wheel	Support scroll wheel function
Keyboard		99 keys (82 keys main keyboard +17 independent small numeric keyboard)
Video Inputs		DVI, VGA
Power input rating		100V-240Vac , 50-60Hz , <1.5A
Power consumption		13W
Operating temperature		0 ~ 40 °C
Store temperature		-20 ~ 60 °C
Humidity		0~80% RH, non-condensing
N.W.		11.7 kg
Mounting distance		460~790mm (L=420mm) Mounting rails can be customized for other mounting distance.
Product dimension (W × D × H)		448mm×481mm×42.5mm
Package dimension (W × D × H)		765mm×615mm×185mm
Optional power input		-36V— -72Vdc
Optional power input		20-30Vdc