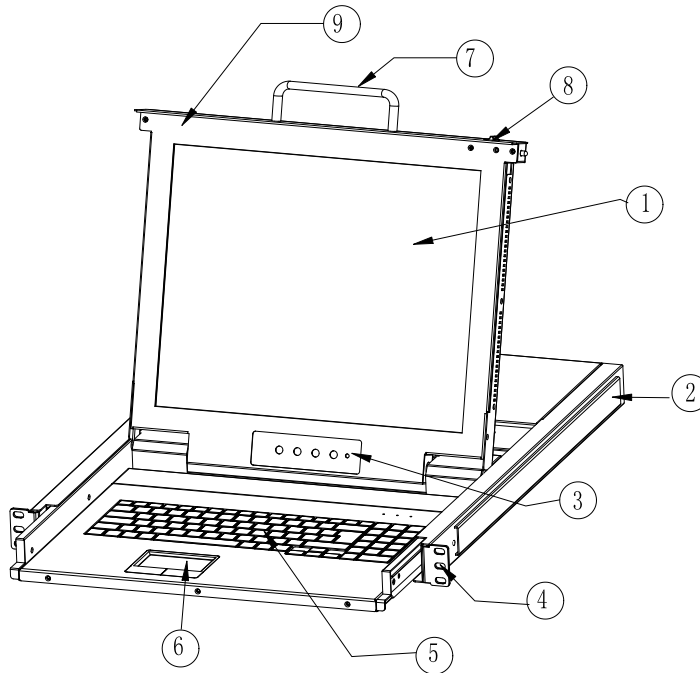


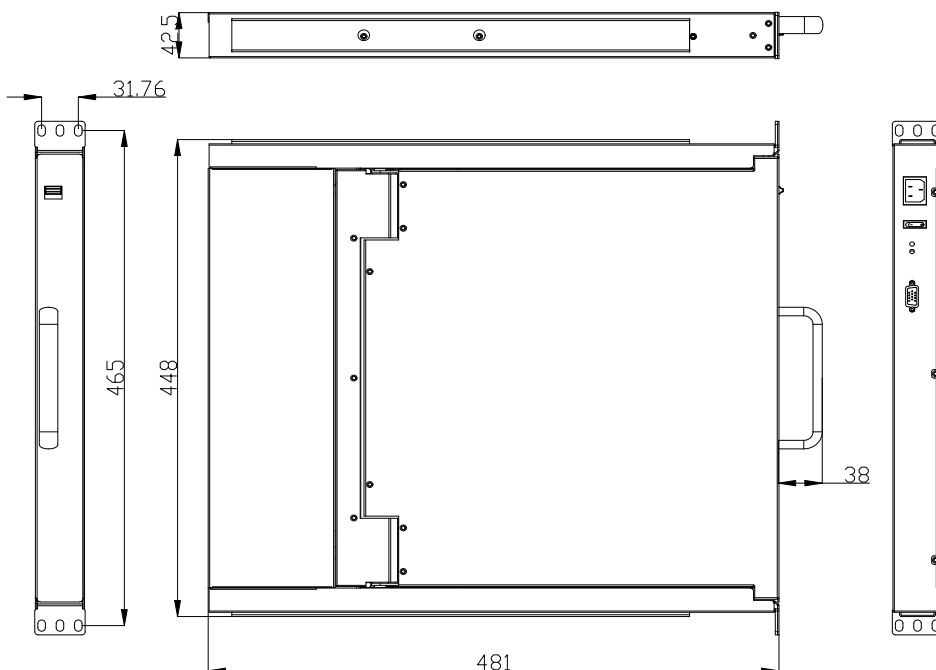
Overview

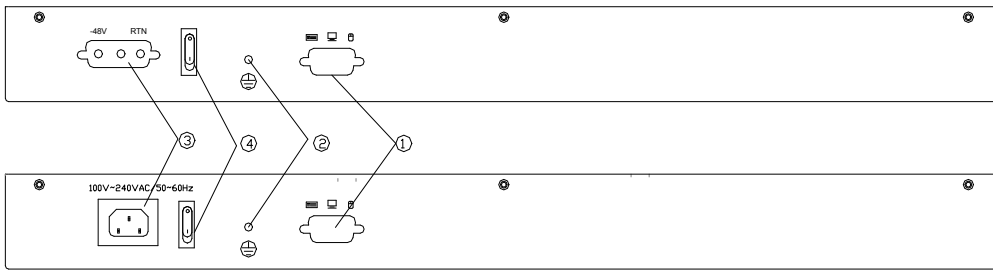
LS2701 is a 17" 1 port console which integrates the monitor, keyboard and mouse in a 1U device; it fits for installed in a standard 19" rack. It can connect one computer to control the monitor, keyboard and mouse.



1 LCD Monitor	6 Touchpad
2 Rear Bracket Slot	7 Handle
3 Display Menu Buttons	8 Release Switch
4 Mounting Bracket	9 Display Panel
5 Keyboard	

Structure



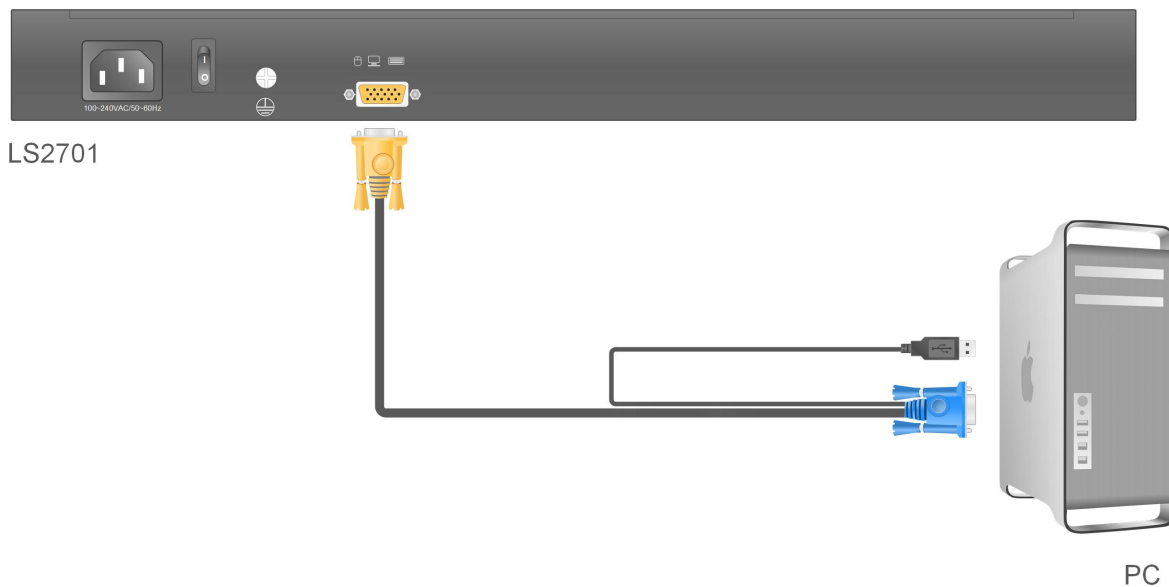


1 PC Port	3 Power input(AC or DC)
2 Ground Connection Screw	4 Power switch

Features

- 3 in 1 LCD console integrates the monitor, keyboard and mouse.
- The KVM console can be connected to a PC or a KVM switch to control and manage single/multiple PCs.
- 17" TFT LCD monitor with high brightness, high definition and high resolution.
- Ultra-slim keyboard with 99 keys and numeric keypad
- Standard PS/2 emulation
- Automatically lock up with the front panel lock latch
- Compact steel construction and high-quality hand-protection sliding rails

Connection Diagram



Package Contents

- 1x LCD Console
- 1x Power Cord (Regional)
- 1x Quick Start Guide
- 2x Mounting Rails
- 1x USB+VGA KVM Cable (1.8m/6ft)

Specifications

Model	LS2701	
Computer Connection	1	
Port emulation	Keyboard, mouse	PS/2, USB
LCD monitor	LCD model	SXGA TFT
	View area	17 "
	Optimum resolution	1280×1024@60Hz
	Display color	16.7 M
	Brightness	250cd/m ² (T y p)
	Contrast ratio	1000: 1 (T y p)
	Pixel pitch(mm)	0.264(H) × 0.264(W)
Mouse	X/Y resolution	>1000 points / inch, (40 points/mm)
	Touch pad	Eliminates the need for an external mouse
Keyboard	99 keys (82 keys main keyboard +17 independent small numeric keyboard)	
Input power	100V – 240Vac, 50 ~ 60Hz, <1.5A	
Power consumption	13W	
Operating temperature	0 – 50 °C	
Store temperature	-20 – 60 °C	
Humidity	0 – 80% RH, non-condensing	
Net weight	11.7 kg	
Product dimension (W × D × H)	448mm×481mm×42.5mm	
Package dimension (W × D × H)	765mm×615mm×185mm	