

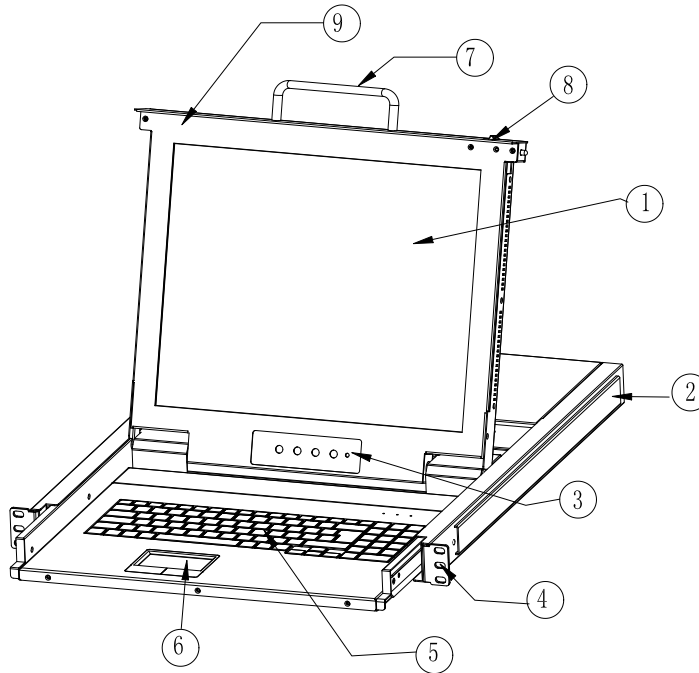
17" 1 Port HDMI LCD KVM Console (LH2701)



Overview

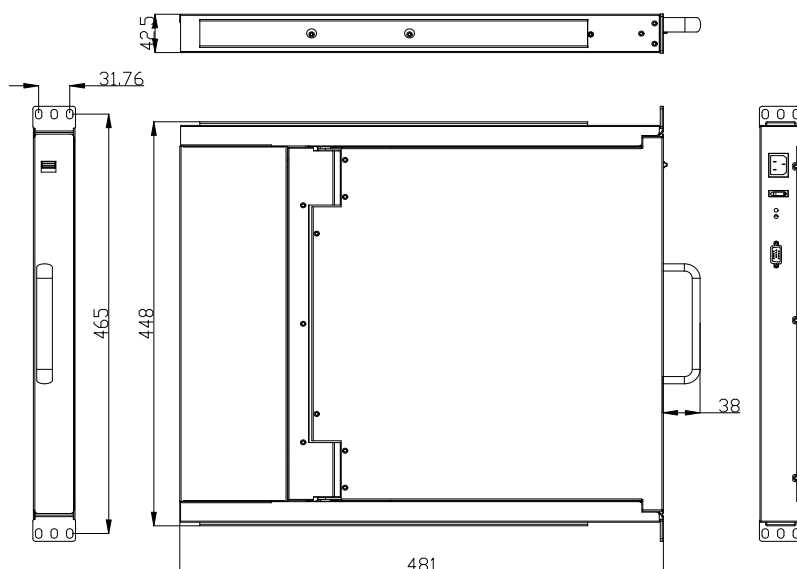
Kinan's LH2701 is a kvm monitor switch that integrated 17" LCD monitor, full 99-key keyboard and touchpad in a 1U height of single rail housing. The included cable allows for connection to a USB computer or KVM. Features a 17-inch LCD TFT panel, the LH2701 supports high video quality up to 1280x1024@60Hz.

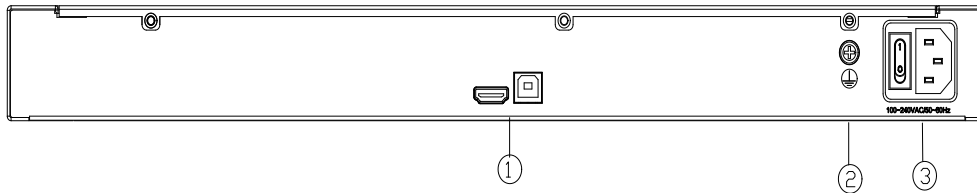
The LH2701 rack console comes with a single HDMI port, which can be connected directly to a server, PC, or to a KVM switch to control multiple systems. The kvm with monitor serves as the monitoring and managing console for standard KVM Switches.



1 LCD Monitor	6 Touchpad
2 Rear Bracket Slot	7 Handle
3 Display Menu Buttons	8 Release Switch
4 Mounting Bracket	9 Display Panel
5 Keyboard	

Structure





1	PC Port(HDMI)
2	Ground Connection Screw
3	Power input(Power switch)

Hardware Features

- Integrated kvm console drawer with 17" LCD monitor, keyboard/touchpad
- Standard HDMI connection-Connect to a server or computer via standard HDMI connector
- LCD module can be opened up to 108 degrees to provide a comfortable viewing angle
- Support computers with USB keyboard and mouse
- Internal power supply

High Resolution

- 17" TFT LCD monitor supports highlight, high definition and high resolution
- Support input video resolutions up to 1280 x 1024 @60Hz

High Performance Touchpad

- Touchpad with scroll wheel - Eliminates the need for a separate, external mouse

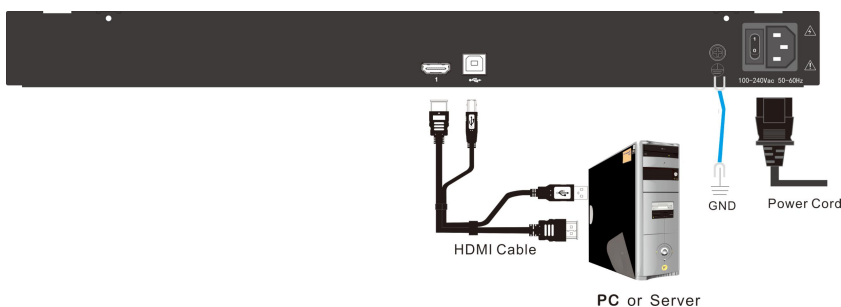
Keyboard

- Multi-language support--English, Russian, German, French, UK and Spanish, etc.
- Full size 99 keys keyboard with integrated number pad

Wide Compatibility

- Multiplatform Support-Compatible with Windows, Sun, Unix and Linux
- Supports servers form Lenovo, HUA WEI, HP, IBM, Cisco and Dell, etc.

Connection Diagram



Package Contents

- 1x LCD Console
- 1x Power Cord (Regional)
- 1x Quick Start Guide
- 2x Mounting Rails
- 1x USB+HDMI KVM Cable (1.8m/6ft)

Specifications

Model		LH2701
Computer Connections		1
Port emulation	Keyboard, mouse	PS/2, USB
LCD monitor	LCD model	SXGA TFT
	View area	17 "
	Optimum resolution	1280×1024@60Hz
	Display color	16.7 M
	Brightness	250cd/m ² (T y p)
	Contrast ratio	1000: 1 (T y p)
	Pixel pitch(mm)	0.264(H) × 0.264(W)
Mouse	X/Y resolution	>1000 points / inch, (40 points/mm)
	Scroll wheel	Support scroll wheel function
Keyboard		99 keys (82 keys main keyboard+17 independent small numeric keyboard)
Input power		100V – 240Vac, 50 ~ 60Hz, <1.5A
Power consumption		17W
Operating temperature		0 – 50 °C
Store temperature		-20 – 60 °C
Humidity		0 – 80% RH, non-condensing
Net weight		11.7 kg
Product dimension (W × D × H)		448mm×481mm×42.5mm
Package dimension (W × D × H)		765mm×615mm×185mm