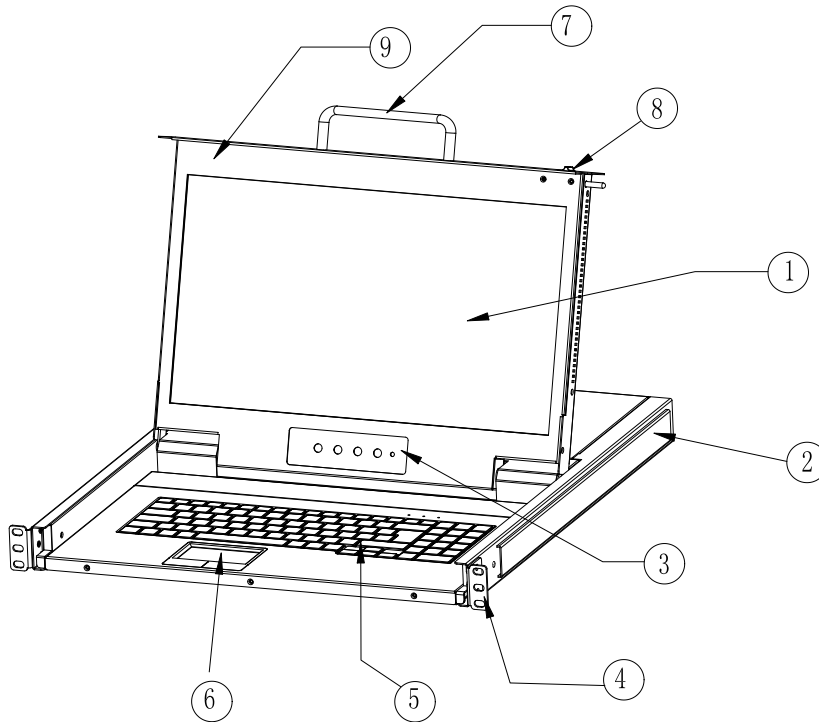


17.3" 1 Port HDMI LCD KVM Console (LH1701)



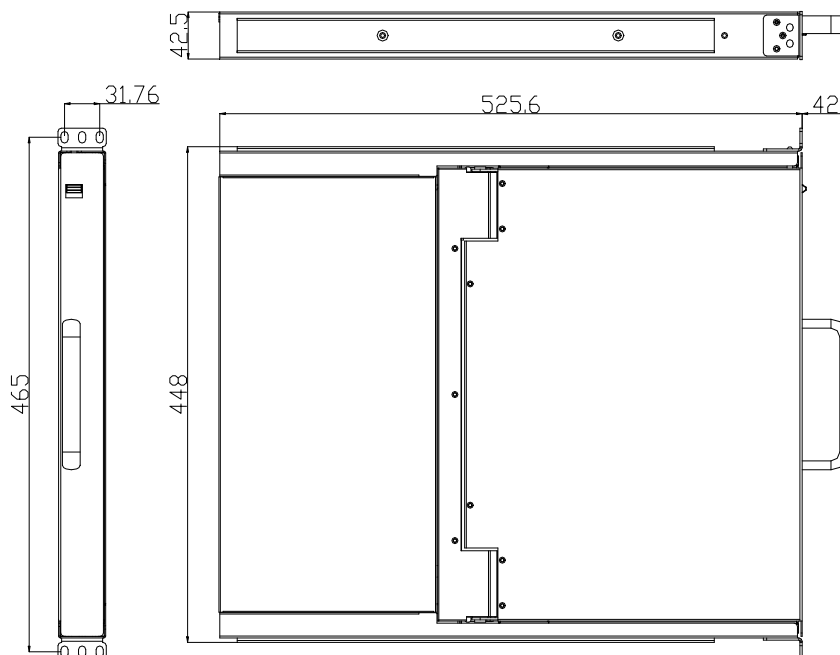
Overview

LH1701 is a single port HDMI console which integrates the 17.3" widescreen LCD monitor, keyboard and mouse in a 1U rack housing; it is fit to be installed in a standard 19" rack. It can connect one HDMI computer via standard HDMI port, resolution is up to 1920 x 1080@60Hz.



1 LCD Monitor	6 Touchpad
2 Rear Bracket Slot	7 Handle
3 Display Menu Buttons	8 Release Switch
4 Mounting Bracket	9 Display Panel
5 Keyboard	

Structure



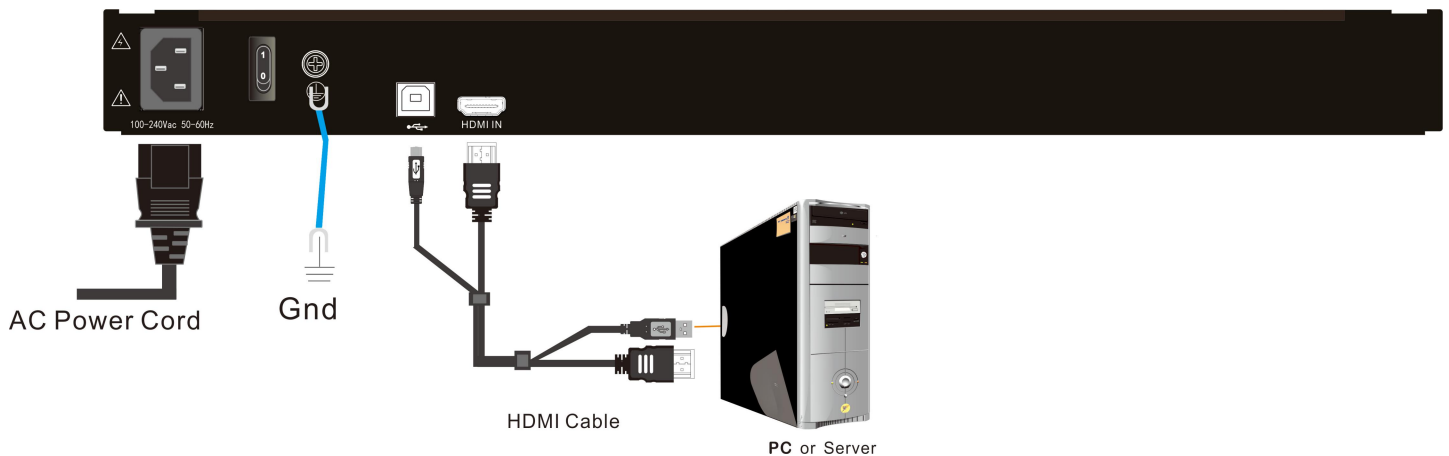


1	Power input
2	Ground Connection Screw
3	PC Port(USB)
4	PC Port(HDMI)
5	Power switch

Features

- 3 in 1 LCD console integrates the monitor, keyboard and mouse
- The console can be connected to a PC or a KVM switch to control and manage single/multiple PCs
- 17.3" TFT LCD monitor with high brightness, high definition and high resolution
- Resolution is up to 1920 x 1080@60Hz
- Ultra-slim keyboard with 99 keys and numeric keypad
- Standard PS/2 emulation
- Touchpad with trackball
- Automatically lock up with the front panel lock latch
- Compact steel construction and high-quality hand-protection sliding rails

Connection Diagram



Specifications

Model	LH1701	
Computer Connections	1	
Port emulation	Keyboard, mouse	PS/2, USB
LCD monitor	LCD model	FHD TFT
	View area	17.3"
	Optimum resolution	1920×1080@60Hz
	Display color	262K
	Brightness	300cd/m ² (T y p)
	Contrast ratio	800: 1(T y p)
	Pixel pitch(mm)	0.1989(H) × 0.1989(W)
Mouse	X/Y resolution	>1000 points / inch, (40 points/mm)
	Scroll wheel	Support scroll wheel function
Keyboard	99 keys (82 keys main keyboard +17 independent small numeric keyboard)	
Input power	100V – 240Vac, 50 ~ 60Hz, <1.5A	
Power consumption	12W	
Operating temperature	0 – 50 °C	
Store temperature	-20 – 60 °C	
Humidity	0 – 80% RH, non-condensing	
Net weight	10.5 kg	
Product dimension (W × D × H)	448mm×525.6mm×42.5mm	
Package dimension (W × D × H)	765mm×615mm×185mm	