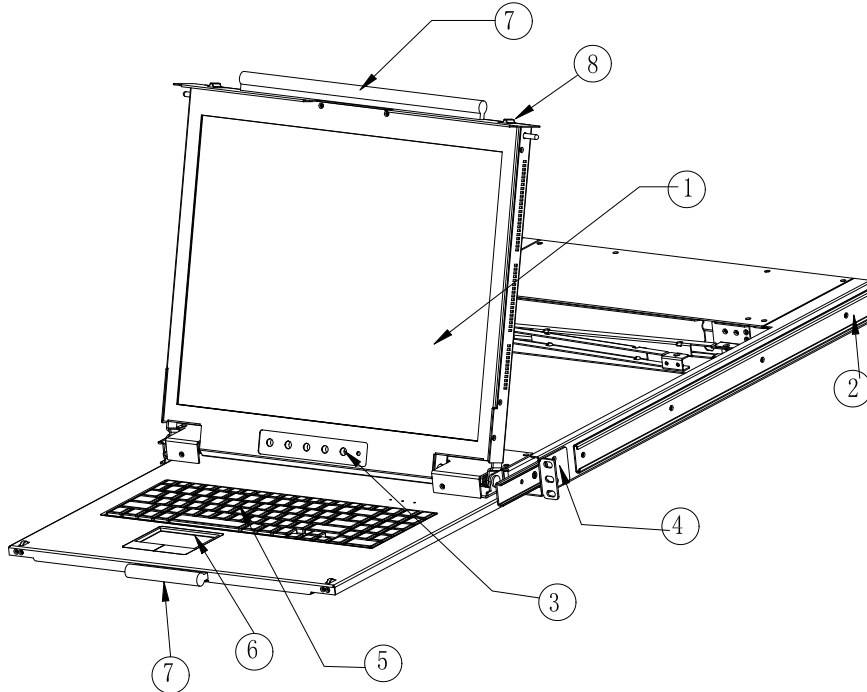


19" 1-Port Dual Rail VGA LCD KVM Console (DL1901)



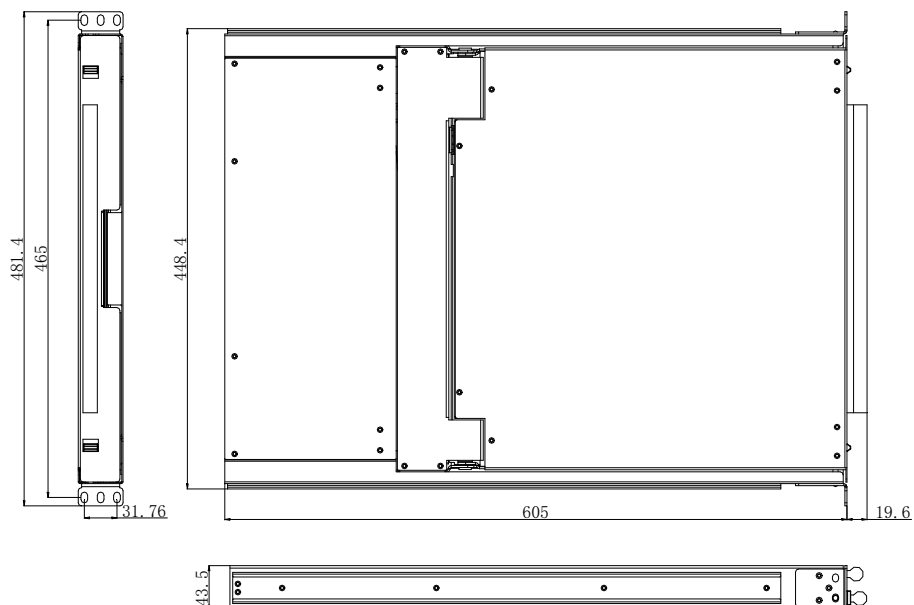
Overview

The Kinan's DL1901 is a rack mount Dual Rail LCD KVM Console that features an integrated 19" LCD monitor, full keyboard and touchpad in a 1U compact design. The included cable allows for connection to a USB/PS2 computer or KVM. The DL1901 supports resolution up to 1280x1024@60Hz.



1 LCD Monitor	5 Keyboard
2 Rear Bracket Slot	6 Touchpad
3 Display Menu Buttons	7 Handle
4 Mounting Bracket	8 Release Switch

Structure



Features

Hardware Features

- The keyboard, mouse and 19" LCD monitor are integrated in a dual rail unit
- Standard VGA connector-Connect to a server or KVM switch via a standard VGA connector
- Quick release tabs-Insert or remove the device with ease
- The LCD monitor and keyboard/touch pad modules slide independently of each other

Dual Rail Design

- The LCD panel and keyboard/touchpad modules slide independently of each other, the keyboard/touchpad module slides back to "hide away" when not in use, while the thin profile LCD monitor rotates back, flush against the rack, allowing administrators to easily monitor computer.

High Resolution

- 19 TFT LCD rackmount monitor supports highlight, high definition and high resolution
- Support input video resolutions up to 1280 x 1024 60Hz

High Performance Touchpad

- Touchpad with scroll wheel - Eliminates the need for a separate, external mouse

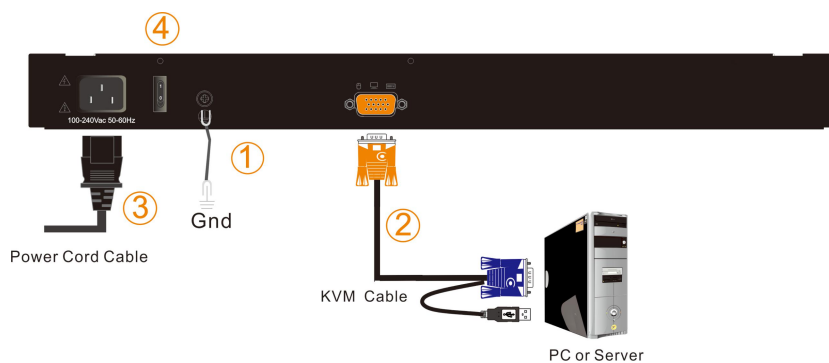
Keyboard

- Multi-language support--English, Russian, German, French, UK and Spanish, etc.
- Full size 99 keys keyboard with integrated number pad

Wide Compatibility

- Multiplatform Support-Compatible with Windows, Sun, Unix and Linux
- Supports servers form Lenovo, HUA WEI, HP, IBM, Cisco and Dell, etc.

Connection Diagram



Package Contents

- 1x Dual Rail LCD Console
- 1x Power Cord (Regional)
- 1x Quick Start Guide
- 2x Mounting Rails
- 1x USB+VGA KVM Cable (1.8m/6ft)

Specifications

Model		DL1901
Computer connections	Direct	1
	Maximum	1
Port emulation	Keyboard, mouse	PS/2, USB
LCD monitor	LCD model	SXGA TFT
	View area	19"
	Optimum resolution	1280×1024@60Hz
	Display color	16.7 M
	Brightness	250cd/m ² (T y p)
	Contrast ratio	1000: 1 (T y p)
	Pixel pitch (mm)	0.2928(H) × 0.2928(W)
Mouse	X/Y resolution	>1000 points / inch (40 points/mm)
	Touchpad	Eliminates the need for an external mouse
Keyboard		99 keys (82 keys main keyboard +17 independent small number pad)
Input power		100V- 240Vac, 50-60Hz, <1.5A
Power consumption		18W
Mounting distance		610~950mm (L=420mm) Mounting rails can be customized for other mounting distance.
Operating temperature		0— 50 °C
Store temperature		-20 — 60 °C
Humidity		0- 80% RH, non-condensing
Net weight		13.5kg
Product dimension (W × D × H)		448mm×605mm×43.5mm
Package dimension (W × D × H)		765mm×615mm×185mm
Optional power input		-36V~ -72V DC