

Rack Dual Rail LCD KVM Console (DL1701 / DL1901)

User Manual



www.kinankvm.com

@all right reserved Shenzhen Kinan Technology Co., Ltd.

Printing date: 2022/03

Version: V2.0

Overview

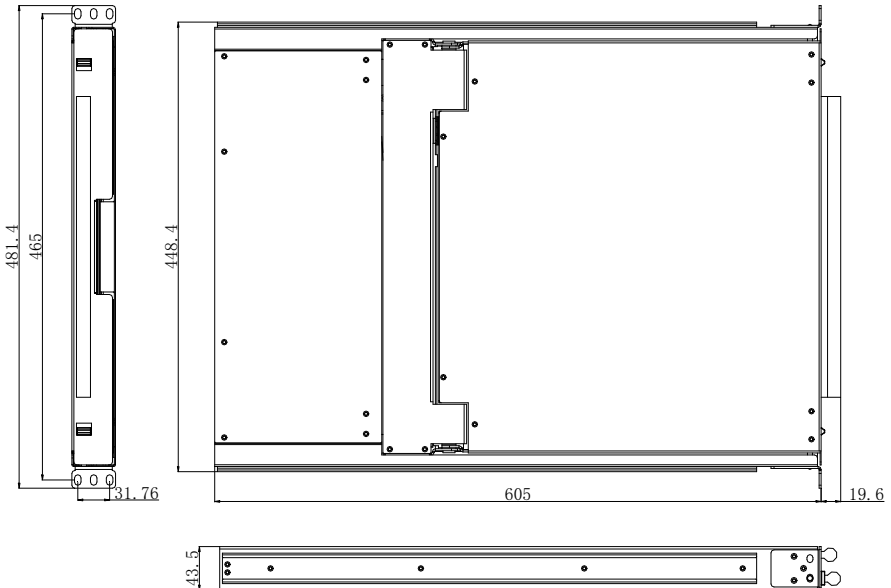
Description:

The LCD panel and keyboard/touchpad modules slide independently of each other, the keyboard/touchpad module slides back to “hide away” when not in use, while the thin profile LCD monitor rotates back → flush against the rack → allowing administrators to easily monitor computer.

Features:

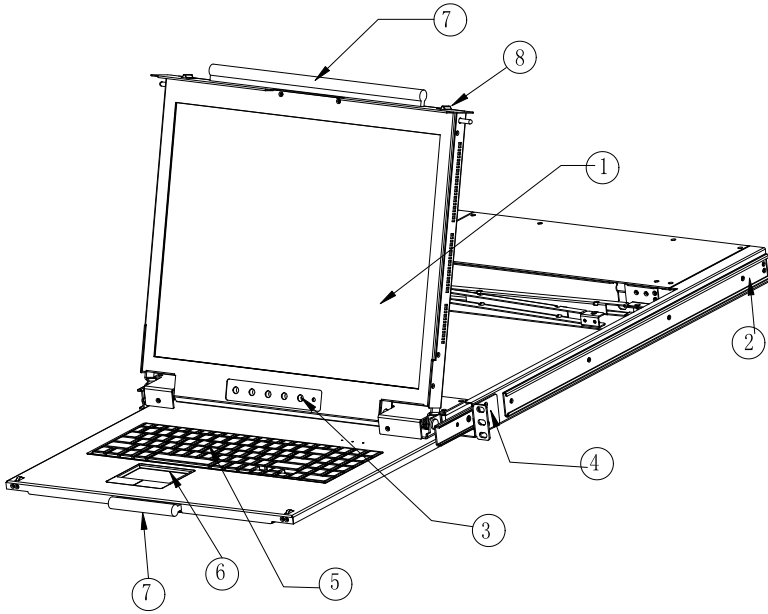
- 17” or s19” TFT LCD monitor with highlight, high definition and high resolution.
- KVM console with 19” monitor in a standard 19” housing with top and bottom clearance in a 1U high metal rack.
- Dual rail design-LCD monitor slides independently of keyboard/tuochpad module.
- Ultra-slim 99 keys keyboard with small numeric keyboard and standard PS/2 port.
- High resolution and flexibility touchpad with two function buttons and scroll ball

Appearance (see diagram1-1.1)



1-1 appearance

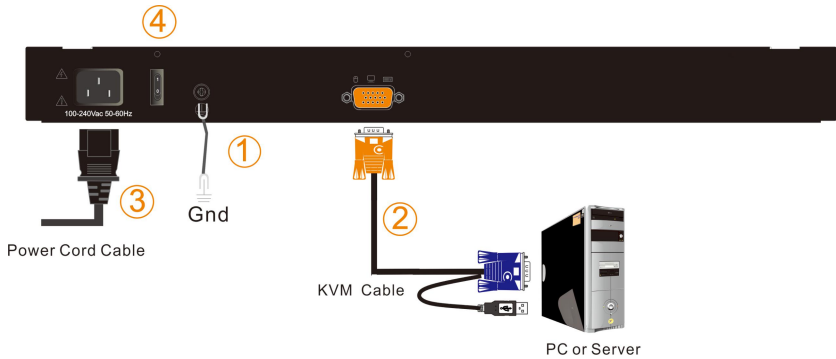
Front view (see diagram 1-1.2)



1-2 front view

- | | |
|----------------------|------------------|
| 1. LCD monitor | 5. Keyboard |
| 2. Rear bracket slot | 6. Touchpad |
| 3. LCD OSD controls | 7. Handle |
| 4. Front bracket | 8. Release catch |

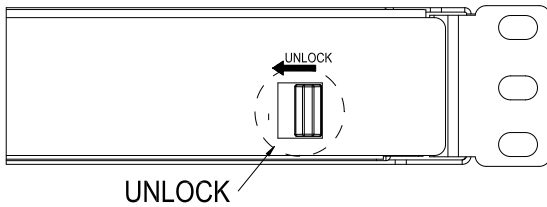
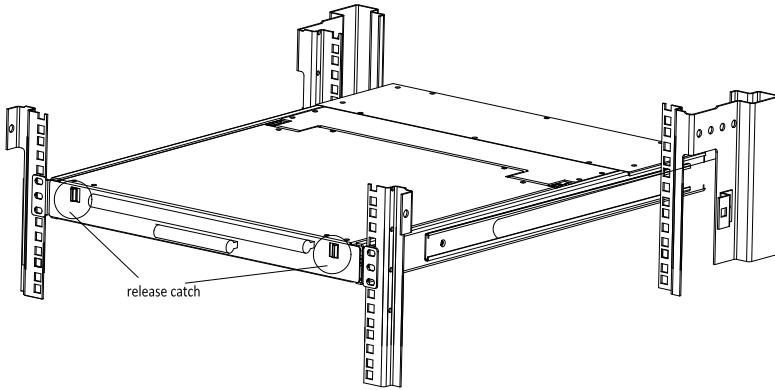
Connecting diagram



To ensure signal integrity and simplify cable layout, we strongly recommend you using high quality cables with different length as shown in above table.

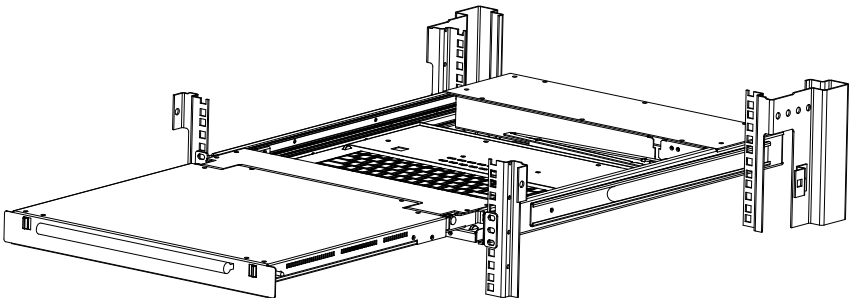
Opening the console:

- Release the release catch.

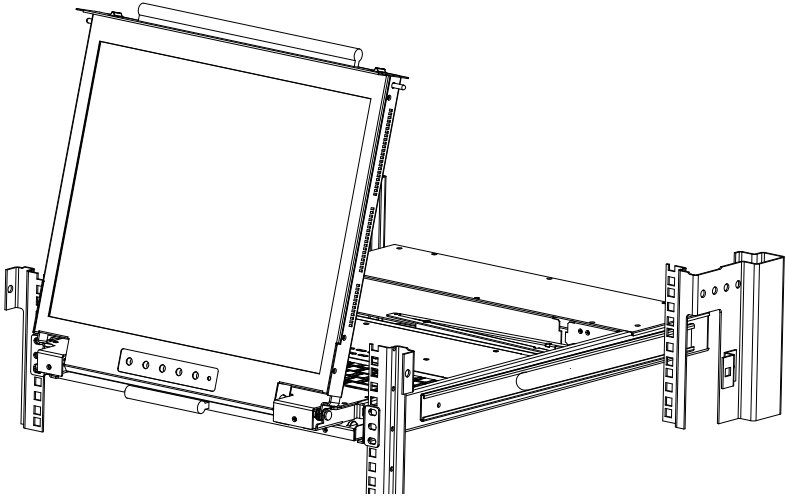


2-1 unlocking

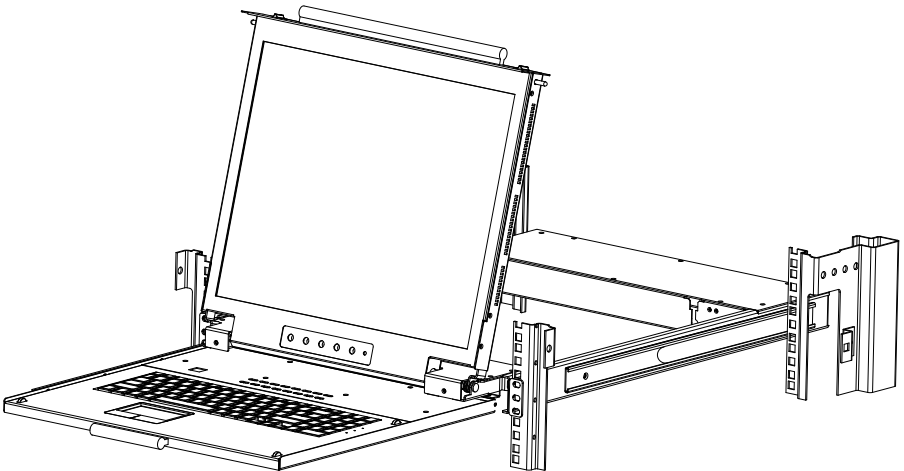
- Pull the LCD panel all the way out until it clicks into place.



- Rotate the LCD module all the way back to expose the LCD screen; the LCD module can be rotated up to 108°.



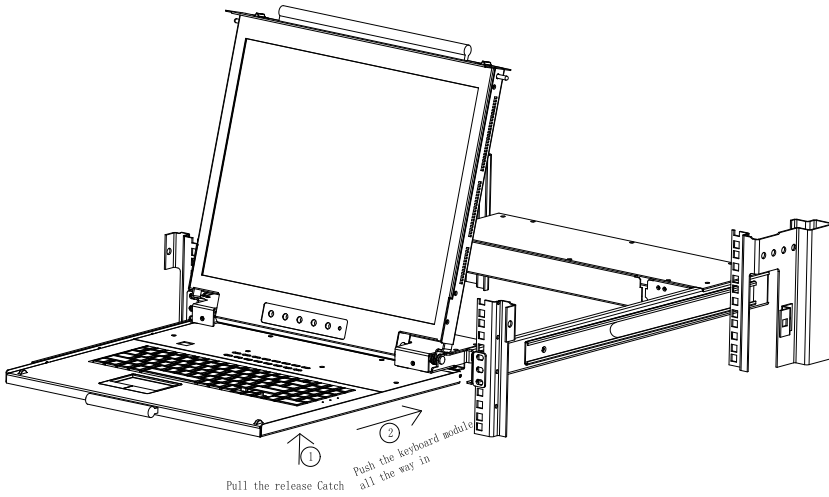
- Pull the keyboard module all the way out until it clicks into place.



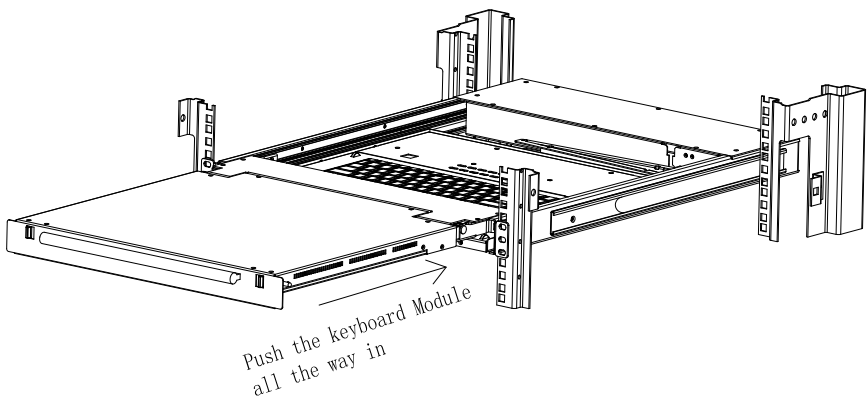
Note: The keyboard module can't bear extra load or any surface pressure.

Closing the console

- Pull the release catches at the bottom of the keyboard to release the keyboard module.
- Push the keyboard module all the way in.



- Rotate the LCD module all the way down, and then pull the rear catches to release the module.
- Push the module all the way in, it automatically locks and shut down LCD power.



LED OSD Configuration



The LED OSD allows you to set up and configure the LED display.

Buttons	Functions
MENU SELECT	Press this button invokes the menu function and brings up the main menu.
EXIT/AUTO	Press this button exits the current menu and returns to the previous menu or presses this button exits the LED OSD. Press AUTO for automatic configuration.
SL-/SL+	Press this button moves your menu to make corresponding adjustment.
LED state	Green: running Red: power off or access non standard VESA signal Flash green: energy saving mode or no signal

Press AUTO if the screen migrates when power on or under other circumstances, then the screen auto configure to its best display state.(It might can't be adjusted to its best state if part of the display mode is not standard VESA mode, if so return back to OSD menu to RESET, then it will back to normal.

We suggest our customers to set up the display mode at 1280x1024, refresh rate at 60Hz.

Specifications

Model		DL1701	DL1901
Computer connections	Direct	1	1
	Maximum	1	1
Port emulation	Keyboard, mouse	PS/2, USB	
LCD monitor	LCD model	SXGA TFT	SXGA TFT
	View area	17"	19"
	Optimum resolution	1280×1024@60Hz	1280×1024@60Hz
	Display color	16.7 M	16.7 M
	Brightness	250cd/m ² (T y p)	250cd/m ² (T y p)
	Contrast ratio	1000: 1 (T y p)	1000: 1 (T y p)
	Pixel pitch (mm)	0.264(H) × 0.264(W)	0.2928(H) × 0.2928(W)
Mouse	X/Y resolution	>1000 points / inch (40 points/mm)	
	Touchpad	Eliminates the need for an external mouse	
Keyboard	99 keys (82 keys main keyboard +17 independent small number pad)		
Input power	100V- 240Vac, 50-60Hz, <1.5A		
Power consumption	15W	18W	
Mounting distance	610~950mm (L=420mm) Mounting rails can be customized for other mounting distance.		
Operating temperature	0— 50 °C		
Store temperature	-20 — 60 °C		
Humidity	0- 80% RH, non-condensing		
Net weight	13.3kg	13.5kg	
Product dimension (W × D × H)	448mm×605mm×43.5mm		
Package dimension (W × D × H)	765mm×615mm×185mm		
Optional power input	-36V~ -72V DC		