

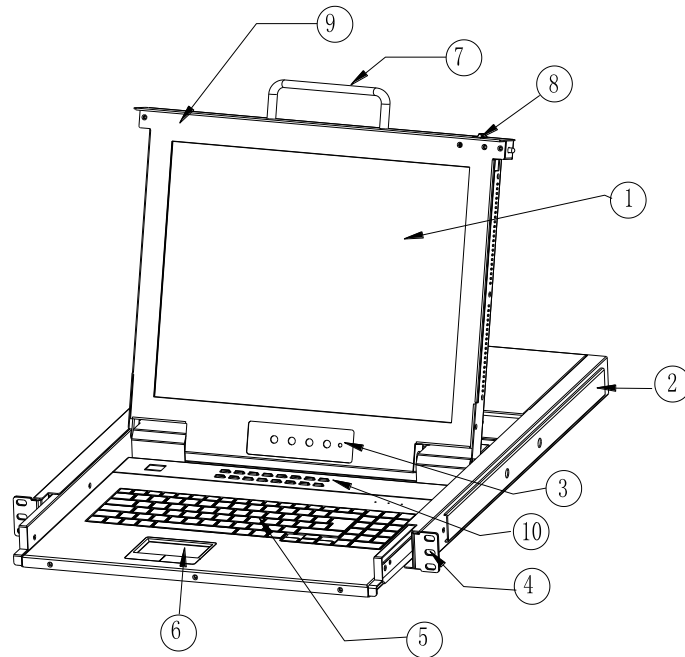
8/16 Port 18.5" VGA Full HD LCD KVM Switch (KXW-2808 / KXW-2816)



Date: 2020 / 01
Version: V3.1

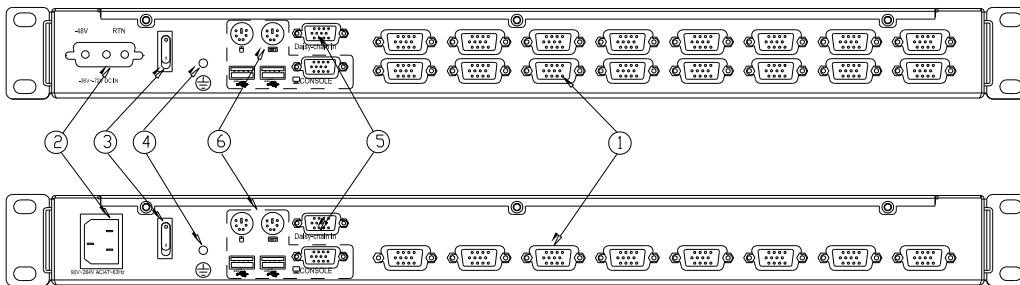
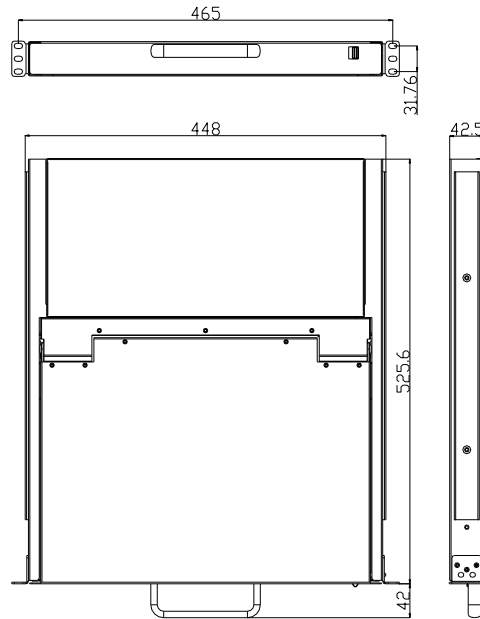
Overview

The KXW-28 Series VGA Full HD LCD KVM console is a control unit that allows access to multiple computers from an USB or PS/2 KVM console. An extra console port is provided on the rear panel to manage the LCD KVM switch from an external console. It allows to access and control up to 8 / 16 computers from a single console (keyboard, mouse, and monitor). As many as 256 / 512 computers can be controlled from a single keyboard- monitor-mouse console by cascading to another 31 additional switches. The KVM switch supports USB or PS/2 connections for the console and computers, VGA connectors and VGA cable are used to link to the computers.



1 LCD Monitor	6 Touchpad
2 Rear Bracket Slot	7 Handle
3 Display Menu Buttons	8 Release Switch
4 Mounting Bracket	9 Display Panel
5 Keyboard	10 Port Selection Buttons

Structure



1 Host Port	4 Ground Connection Screw
2 Power input(AC)	5 Cascade port
3 Power switch	6 Console Port

Features

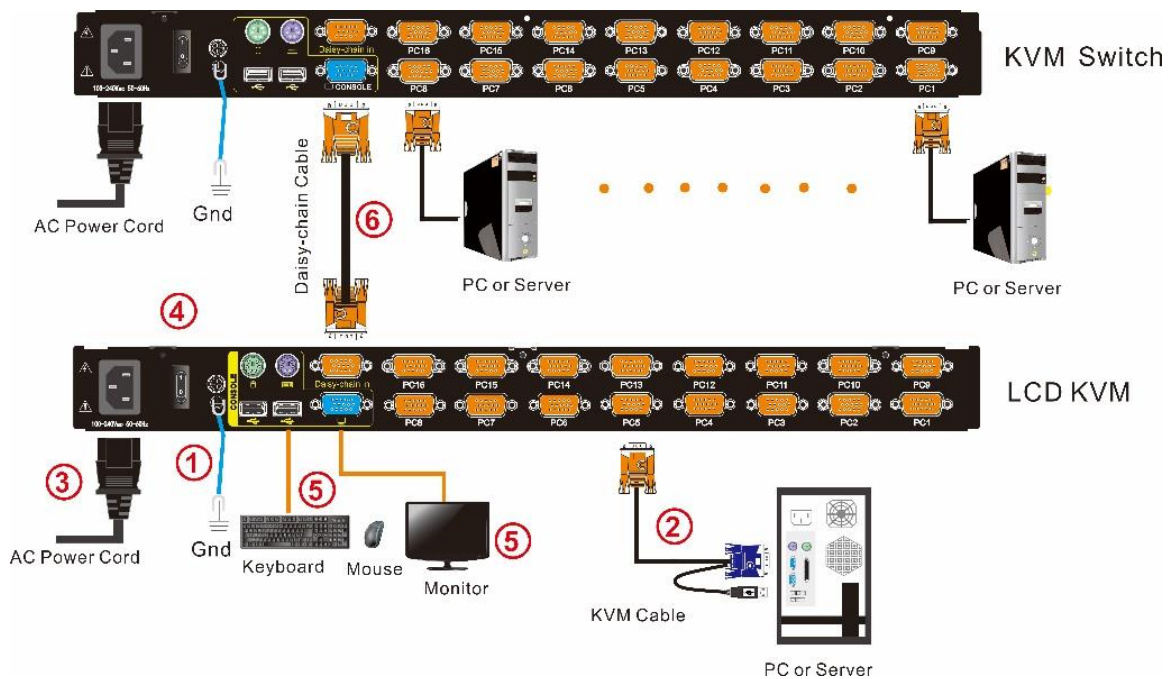
- 18.5" Full HD monitor, high brightness, high resolution
- 1U height, suitable height for standard 19" rack mount, metal structure
- Ultra slim 99 keys keyboard with small numeric keyboard
- High resolution and high flexibility with touchpad; with two function buttons and scroll wheel

Switch Functions

- A single USB console controls up to 8 or 16 computers
- By daisy chaining up to 31 additional Combo-KVM, as many as 512 computers can be controlled from the single KVM console which supports 8 or 16 ports KVM seamless mixed cascade connection
- Dual interface – supports computers with PS/2 and USB keyboard and mouse
- Auto PS/2 and USB interface detection

- Supports wireless keyboard and mouse from different suppliers
- Two level password security – only authorized users view and control computers; up to four users and an administrator with a separate profile for each
- Users can set up different hot keys(【Scroll Lock】/【Caps Lock】/【F12】/【Ctrl】), auto scanning time, port display time, log out time, buzzer on/off and mouse on/off according to their different needs
- Broadcast mode – operations simultaneously performed on all selected computers
- Multiplatform support – Windows, Linux, Mac and Sun
- Supports multimedia USB keyboard(PC, Mac and Sun)
- Superior video quality – up to 1920x1080; DDC2B
- USB or PS/2 keyboard emulation – computer boot even the console focus is else where
- Convenient computer switching via front panel pushbuttons, hotkeys, OSD menu
- Automatically shows the computer position on the front panel LED screen under daisy chaining connection without DIP set by hand
- Auto scan feature for monitoring user-selected computers
- Hot pluggable – add or remove computers without having to power down the switch
- Quickly select your computer by naming the server or inputting SN number of the server

Connection Diagram



Specifications

Function		KXW-2808	KXW-2816
Computer Connections	Direct	8	16
	Max	256	512
Port Emulation	Keyboard, mouse	PS/2, USB	
LED monitor	LED Model	FHD TFT	
	View area	18.5"	
	Optimum Resolution	1920×1080@60Hz	
	Display color	16.7 M	
	Brightness	500cd/m ² (T y p)	
	Contrast ratio	1000 : 1 (T y p)	
	Pixel pitch(mm)	0.213(H) × 0.213 (W)	
Mouse	X/Y resolution	>1000 points /inch, (40 points/mm)	
	Roll wheel	Supports scroll wheel function	
Keyboard	99 keys (82 keys main keyboard +17 independent small numeric keyboard)		
Port Selection	Pushbuttons, hotkeys, OSD menu		
Input Power	100V – 240Vac, 50 ~ 60Hz, <1.5A		
Power Consumption	31W	32W	
Operating Temperature	0 – 40 °C		
Store Temperature	-20 – 60 °C		
Humidity	0 – 80% RH, non-condensing		
Net Weight	11.5kg	11.7kg	
Product Dimension (W × D × H)	448mm×560mm×42.5mm		
Package Dimension (W × D × H)	765mm×615mm×185mm		