

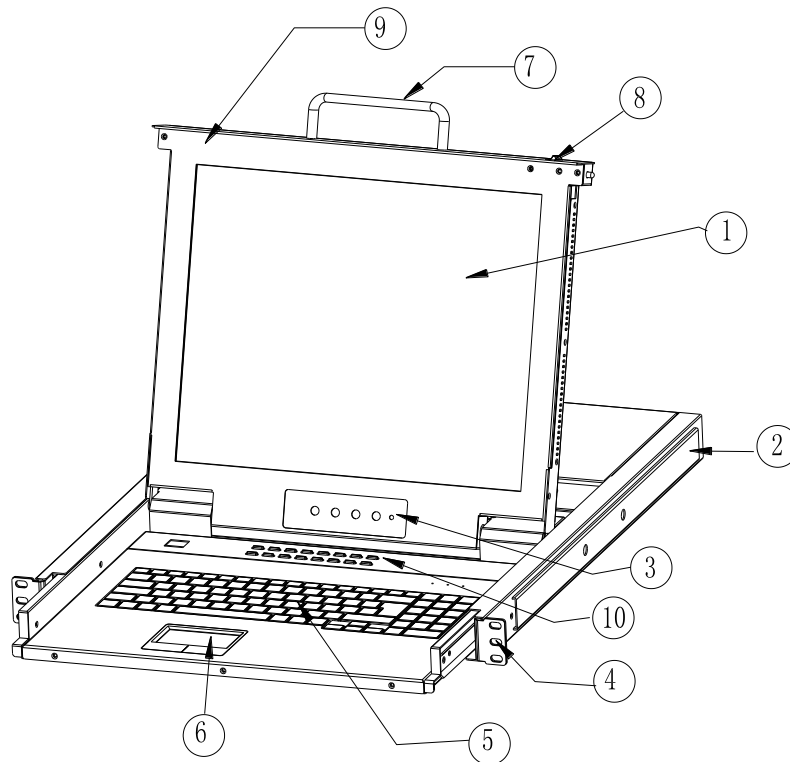
8 / 16 Port 19" VGA LCD KVM Console (DXL-1908 / DXL-1916)



Date: 2020 / 02
Version: V3.1

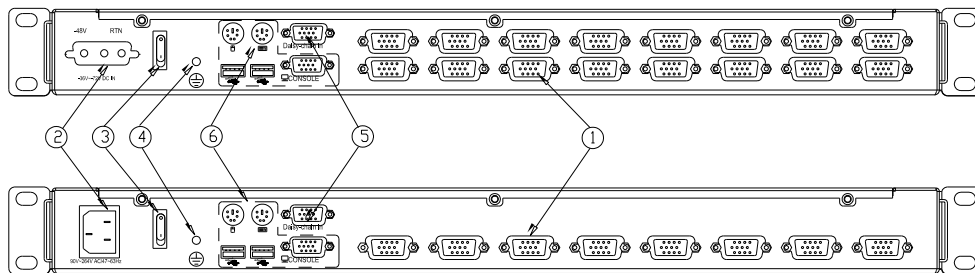
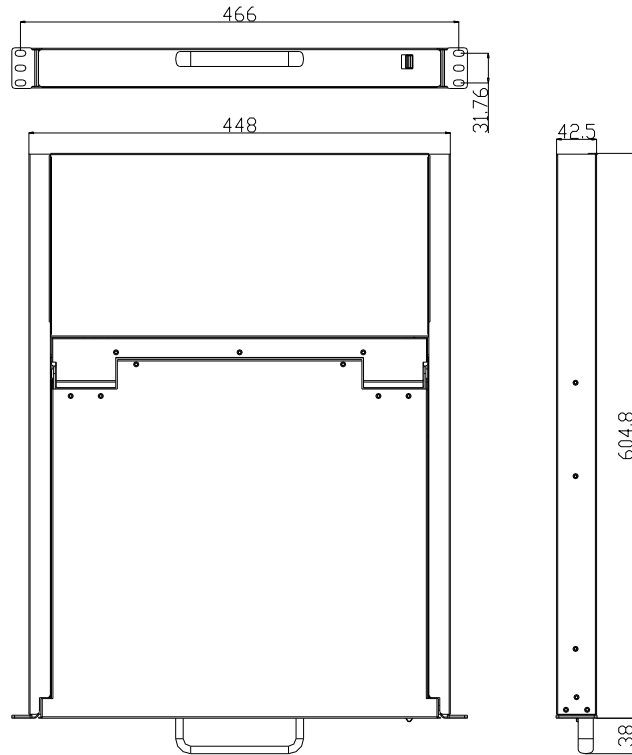
Overview

The 19" DXL Series VGA LCD KVM console is a control unit that allows access to multiple computers from an USB or PS/2 KVM console. An extra console port is provided on the rear panel to manage the LCD KVM switch from an external console. It allows to access and control up to 8 / 16 computers from a single console (keyboard, mouse, and monitor). As many as 256 / 512 computers can be controlled from a single keyboard-monitor-mouse console by cascading to another 31 additional switches. The KVM switch supports USB or PS/2 connections for the console and computers, VGA connectors and VGA cable are used to link to the computers.



| | |
|------------------------|---------------------------|
| 1 LCD Monitor | 6 Touchpad |
| 2 Rear Bracket Slot | 7 Handle |
| 3 Display Menu Buttons | 8 Release Switch |
| 4 Mounting Bracket | 9 Display Panel |
| 5 Keyboard | 10 Port Selection Buttons |

Structure



| | | | |
|---|-----------------|---|-------------------------|
| 1 | PC Port | 4 | Ground Connection Screw |
| 2 | Power input(AC) | 5 | Cascade port |
| 3 | Power switch | 6 | Console Port |

Features

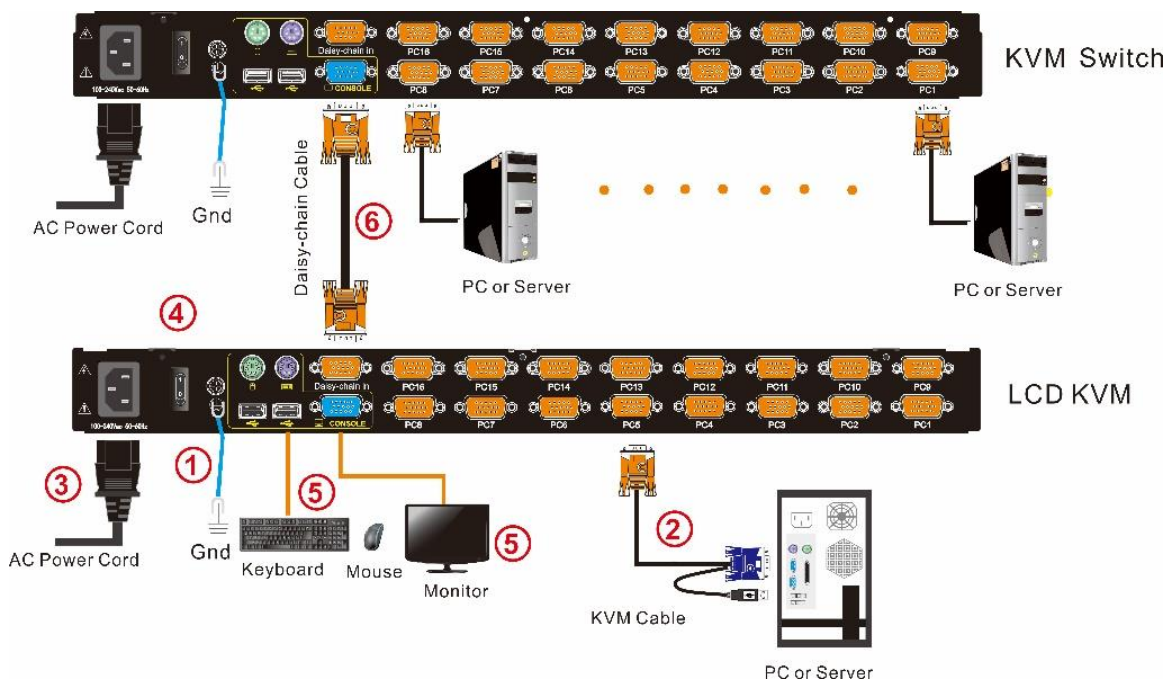
- 19" LED TFT monitor, high brightness, high resolution;
- 1U height, suitable height for standard 19" rack mount, metal structure;
- Ultra slim 99 keys keyboard with small numeric keyboard;
- High resolution and high flexibility with touchpad; with two function buttons and scroll wheel.

Switch Functions

- A single USB console controls up to 8 or 16 computers
- By daisy chaining up to 31 additional Combo-KVM, as many as 512 computers can be controlled from the single KVM console which supports 8 or 16 ports KVM seamless mixed cascade connection

- Dual interface – supports computers with PS/2 and USB keyboard and mouse
- Auto PS/2 and USB interface detection
- Supports wireless keyboard and mouse from different suppliers
- Two level password security – only authorized users view and control computers; up to four users and an administrator with a separate profile for each
- Users can set up different hot keys(【Scroll Lock】/【Caps Lock】/【F12】/【Ctrl】), auto scanning time, port display time, log out time, buzzer on/off and mouse on/off according to their different needs
- Broadcast mode – operations simultaneously performed on all selected computers
- Multiplatform support – Windows, Linux, Mac and Sun
- Supports multimedia USB keyboard(PC, Mac and Sun)
- Superior video quality – up to 1280x1024; DDC2B
- USB or PS/2 keyboard emulation – computer boot even the console focus is else where
- Convenient computer switching via front panel pushbuttons, hotkeys, OSD menu
- Automatically shows the computer position on the front panel LED screen under daisy chaining connection without DIP set by hand
- Auto scan feature for monitoring user-selected computers
- Hot pluggable – add or remove computers without having to power down the switch
- Quickly select your computer by naming the server or inputting SN number of the server

Connection Diagram



Specifications (19" VGA LCD KVM Console)

| Function | | DXL-1908 | DXL-1916 |
|-------------------------------|---------------------------------------------------------------------------|--------------------------------------|----------|
| Computer connections | Direct | 8 | 16 |
| | Max | 256 | 512 |
| Port emulation | Keyboard, mouse | PS/2, USB | |
| LED Monitor | LED Model | SXGA TFT | |
| | View Area | 19" | |
| | Optimum Resolution | 1280x1024@60Hz | |
| | Display Color | 16.7 M | |
| | Brightness | 250cd/m ² (T y p) | |
| | Contrast Ratio | 1000 : 1 (T y p) | |
| | Pixel Pitch(mm) | 0.294(H) x 0.294(W) | |
| Mouse | X/Y Resolution | >1000 points /inch, (40 points/mm) | |
| | Roll Wheel | Supports scroll wheel function | |
| Keyboard | 99 keys (82 keys main keyboard +17 independent small numeric keyboard) | | |
| Port Selection | Pushbuttons, hotkeys, OSD menu | | |
| Input Power | 100V – 240Vac, 50 ~ 60Hz, <1.5A | | |
| Power Consumption | 21W | 23W | |
| Operating Temperature | 0 – 40°C | | |
| Store Temperature | -20 – 60°C | | |
| Humidity | 0 – 80% RH, non-condensing | | |
| Net Weight | 13.5kg | 13.7kg | |
| Product Dimension (W x D x H) | 448mmx605mmx42.5mm | | |
| Package Dimension (W x D x H) | 765mmx615mmx185mm | | |
| Optional Power input | -36V— -72V DC | | |