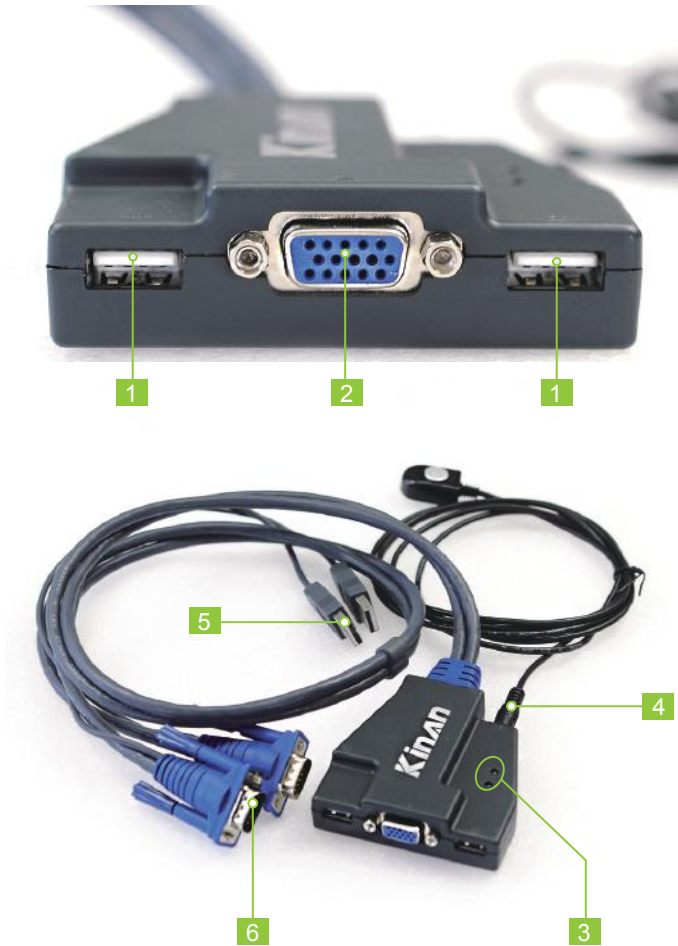


KA1302 is a 2 port USB cable KVM Switch that allows users to access two computers from a single KVM Console(keyboard, mouse and VGA monitor). With the KA1302, you can access computers conveniently via hotkey Scroll-Lock or external switching button.

Product Picture

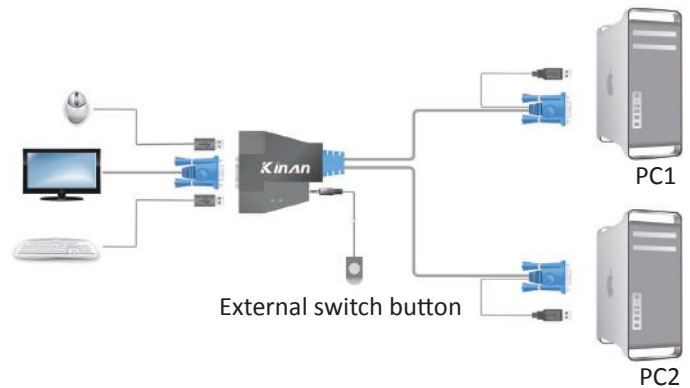


- 1** Console USB port
- 2** Console Display port
- 3** LED
- 4** A.S sign:external button
- 5** PC USB port
- 6** PC VGA port

Features

- One set of keyboard mouse display control two computers
- No software required, convenient computer switching via hotkey Scroll-Lock or external pushbutton
- Supports external USB device
- Supports Windows2000/XP/Vista, Linux, Mac and Sun
- Hot pluggable --add or remove computers without having to power down the switch
- HD video resolution: 2048×1536; DDC2B

Connection Diagram



Specifications

Model		KA1302
Computer Connections	Direct	2
	Max	2
Port Selection		hotkey, external pushbutton
Console	Monitor	1×HDB-15 Female(Blue)
	Keyboard	1× US B type A
	Mouse	1× US B type A
PC Port	Monitor	1×HDB-15 Female(Blue)
	Keyboard/ Mouse	1×US B type A
LED	Selected	2(Green)
Cable length	KVM cable	900mm
	Pushbutton cable	1800mm
Video Resolution		2048x1536
Working temperature		0 ~ 40 °C
Storage temperature		-20 ~ 60 °C
Humidity		0~80% RH, non-condensing
Net weight		0.25 kg
Product dimension (W×D×H)		78mm × 80mm × 21.7mm