

Rack Mount Keyboard Drawer User Manual



www.szkiman.com

@all right reserved Shenzhen Kinan Technology Co., Ltd

Printing Date: 2015/06

Version: V1.0

Description

MKDN-19T is a rack mount keyboard drawer for keyboard and mouse control console; it is fit for standard 19" rack installation and can be operated with the computer.

Features

- 1U height metal structure, fit for standard 19" rack mounting.
- Ultra slim keyboard with 99 keys and numeric keyboard, standard PS/2 port.
- High resolution and high flexibility with touchpad; with two function buttons and scroll wheel.
- It can directly connect and control one computer.
- No software needed
- Hot pluggable --add or remove computers without having to power down the switch

Product Dimension

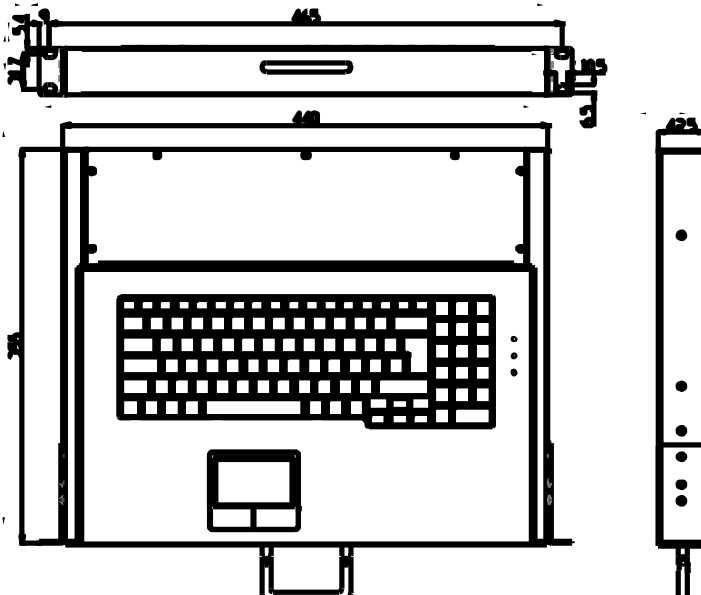
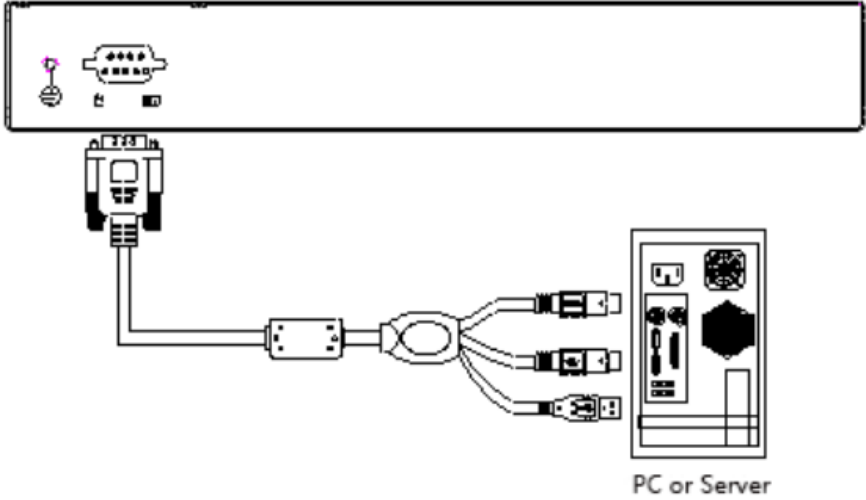


Figure 1-1.1

Connection Diagram



Specification

Model	MKDN-19T
Computer Connections	1
Control Port (keyboard /mouse)	1* DB9F
PC Port (keyboard /mouse)	1* USB type A 1 * 6P Mini-DIN F(purple) 1 * 6P Mini-DIN F(green)
Cable Length	1800mm
Working Temperature	0 ~ 50 °C
Store Temperature	-20 ~ 60 °C
Humidity	0~80% RH, non-condensing
N.W.	4kg
Material	Metal
Product Dimension (W × D × H)	440mm×355mm×42.5mm
Package Dimension (W × D × H)	532mm×455mm×125mm