

Rack Dual Rail LED KVM Console (1Port / 2 Ports) User Manual



www.szkinan.com

@all right reserved Shenzhen Kinan Technology Co., Ltd

Printing date: 2013/05

Version: V1.1

Overview

Description:

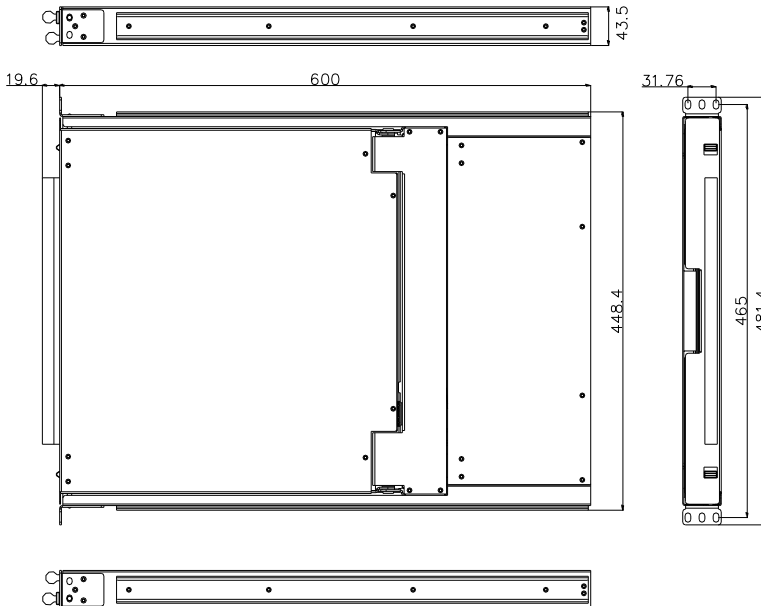
The LED panel and keyboard/touchpad modules slide independently of each other, the keyboard/touchpad module slides back to “hide away” when not in use, while the thin profile LED monitor rotates back→flush against the rack→ allowing administrators to easily monitor computer.

To make it more convenient, external USB or PS/2 keyboard/mouse/monitor are added to rear panel.

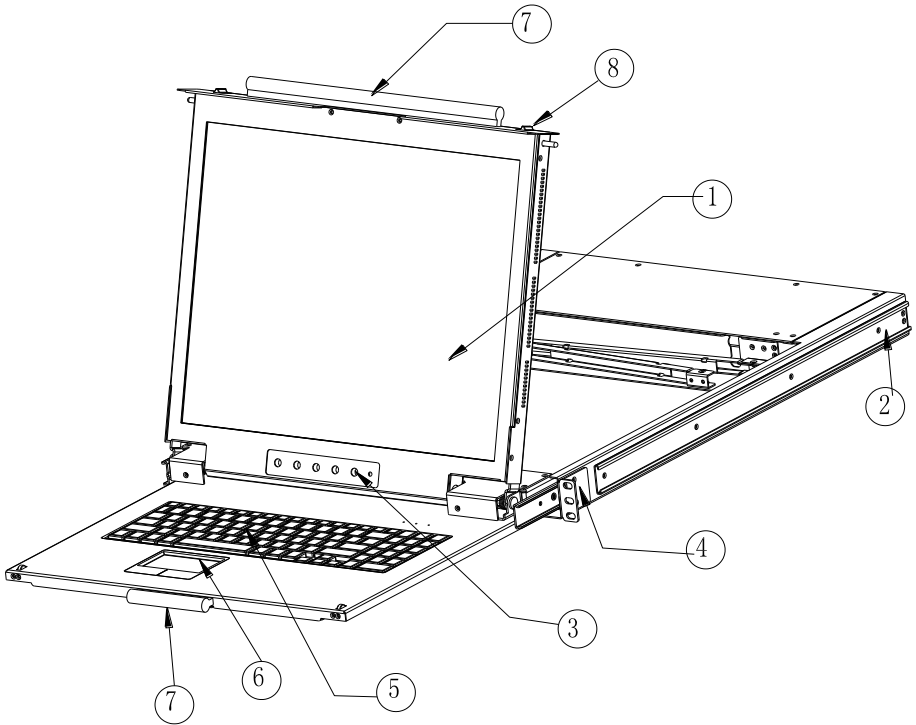
Features:

- 19” TFT LED monitor with highlight, high definition and high resolution.
- KVM console with 19” monitor in a standard 19” housing with top and bottom clearance in a 1U high metal rack.
- Dual rail design-LED monitor slides independently of keyboard/tuochpad module.
- Ultra-slim 99 keys keyboard with small numeric keyboard and standard PS/2 port.
- High resolution and flexibility touchpad with two function buttons and scroll ball

Appearance (see diagram1-1.1)



1-1.1 appearance

Front view (see diagram 1-1.2)

1-1.2 front view

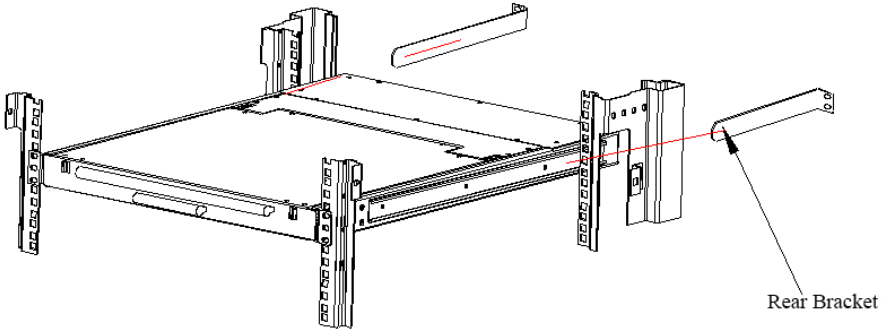
1. LED monitor
2. Rear bracket slot
3. LCD OSD controls
4. Front bracket
5. Keyboard
6. Touchpad
7. Handle
8. Release catch

Hardware Installation

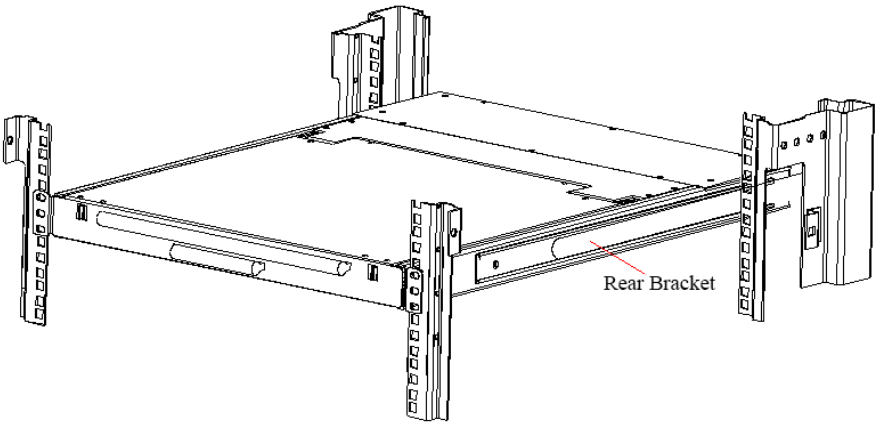
Rack Mounting

A standard rack mounting kit is provided to mount the switch in a depth of 600-950mm (19") in a standard 19" rack.

With one person hold the switch in place and the other person slides the L bracket into the switch's side mounting brackets from the front to the back, then screws the brackets to the rack. (See below installation diagrams)

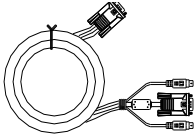
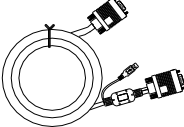
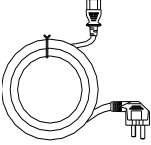


1-2.1 rack mounting (1)



1-2.2 rack mounting (2)

Cables

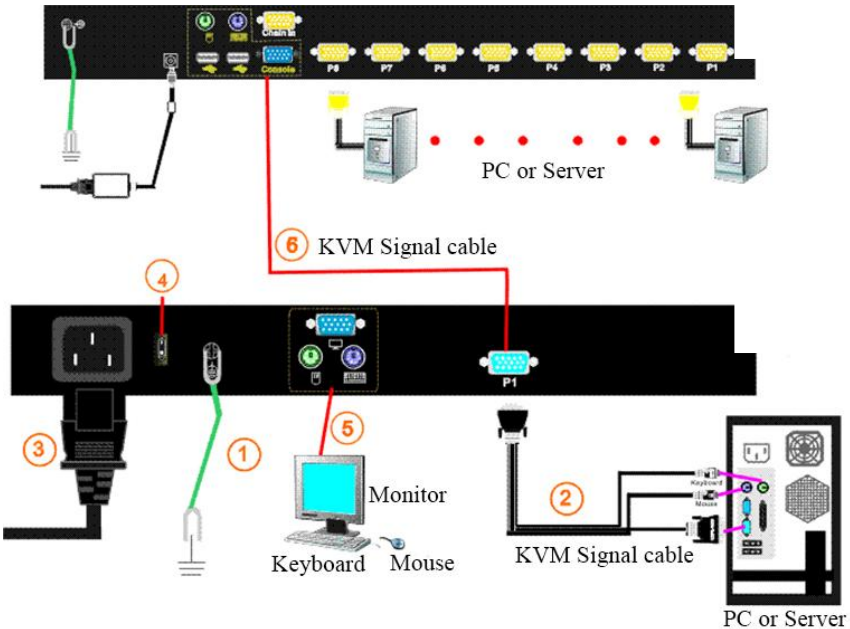
No.	Function	Model	Cable port
①	KVM signal cable – PS/2	CH-1800P (1.8M) CH-3000P(3M) CH--5000P(5M)	PC or Server port: Keyboard: 6pin MIN-DIN male Mouse : 6pin MIN-DIN male Monitor: 15pin HDB male
			KVM port 15pin HDB male
	KVM signal cable – USB	<i>CH-1800U (1.8M)</i> <i>CH-3000U(3M)</i> <i>CH-5000U(5M)</i>	PC or Server port: USB port:USB A TYPE(female) Monitor port:15pin HDB male
			KVM port 15pin HDB male
②	AC power cable	CAC3-2200-(2.2M)	Wide voltage range: 100~240VAC / 50~60Hz
			

2-1.1 connecting cables

To ensure signal integrity and simplify cable layout, we strongly recommend you using high quality cables with different length as shown in above table.

Connecting diagram

1. Make sure the rack dual rail KVM console has been connected to the ground (See number ① in below diagram)
2. Connect the computer to the KVM switch according to number ② in below diagram.
3. Connect the power cable into the KVM power port according to number ③ in below diagram.
4. Turn on power switch as shown in number ④ in below diagram, the KVM is running after power on.



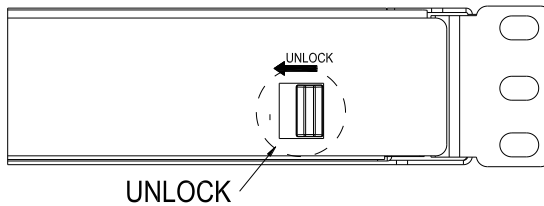
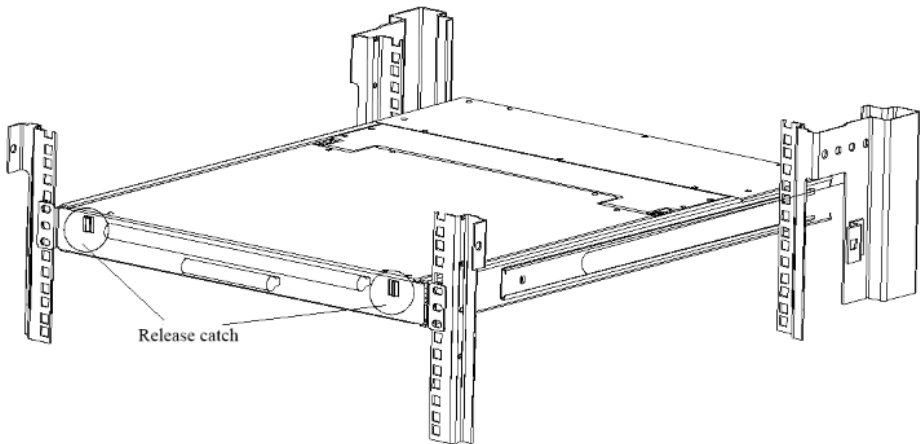
- Note:
- 1) If you want to connect another console, plug the monitor, PS/2 mouse and keyboard in the console port (see number ⑤ in above diagram).
 - 2) Connect the KVM switch to the console with KVM signal cable according to number ⑥ in above diagram.

Hotkeys(2 ports)

Function	Operation	Function description
Switching port	【Scroll LK】 + 【Scroll LK】	Circle-switching to next port
	【Ctrl】 + 【Ctrl】 + 【1】 or 【2】	Select your PC port
Alarm sound	【Ctrl】 + 【Ctrl】 + 【B】	Turn on/off alarm sound
Auto scan	【Ctrl】 + 【Ctrl】 + 【S】	Port scanning
Reset	【Ctrl】 + 【Ctrl】 + 【R】	Reset the mouse

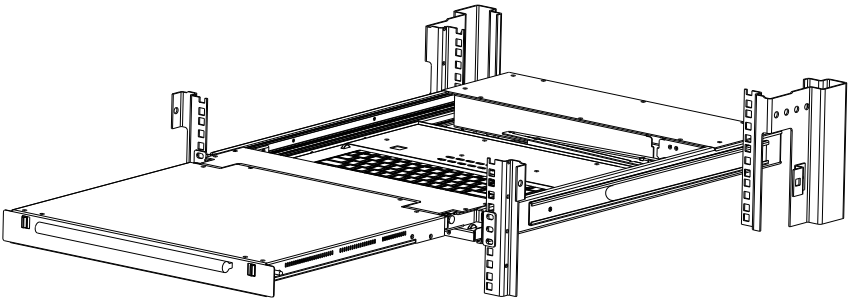
Opening the console:

- Release the release catch.

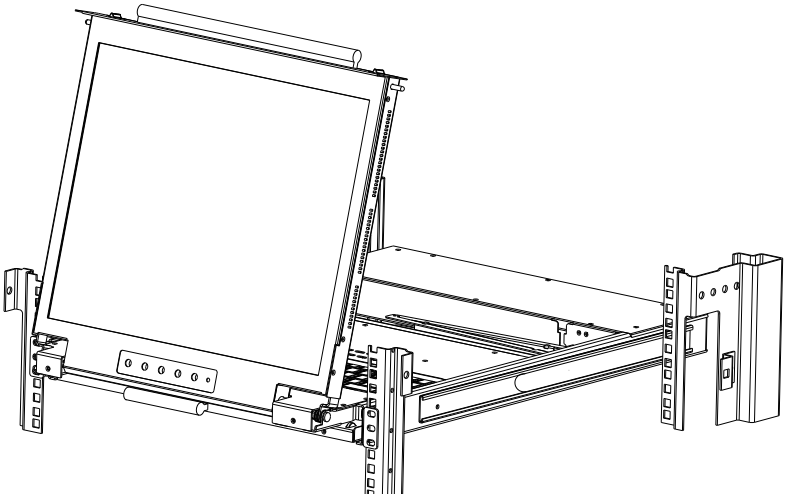


2-1.3 unlocking

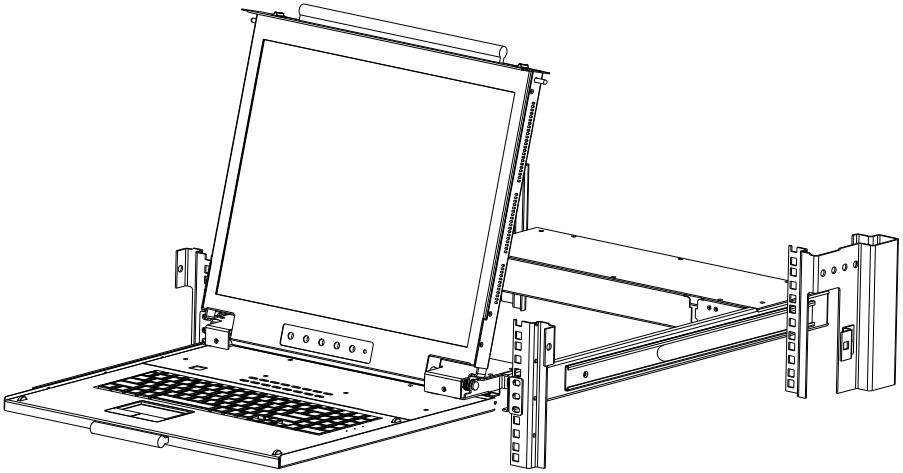
- Pull the LED panel all the way out until it clicks into place.



- Rotate the LED module all the way back to expose the LED screen; the LED module can be rotated up to 108°.



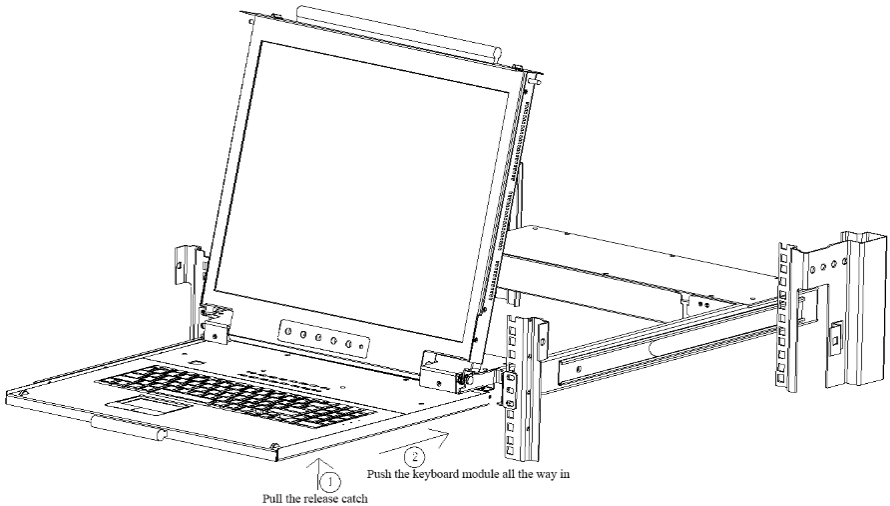
- Pull the keyboard module all the way out until it clicks into place.



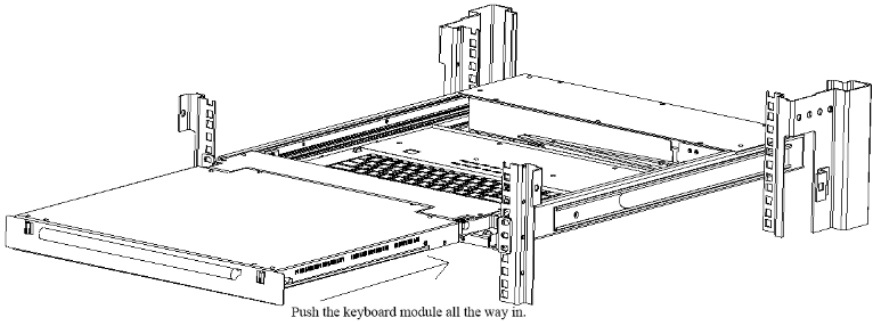
Note: The keyboard module can't bear extra load or any surface pressure.

Closing the console

- Pull the release catches at the bottom of the keyboard to release the keyboard module.
- Push the keyboard module all the way in.



- Rotate the LED module all the way down, and then pull the rear catches to release the module.
- Push the module all the way in, it automatically locks and shut down LED power.



LED OSD Configuration



The LED OSD allows you to set up and configure the LED display.

Buttons	Functions
MENU SELECT	Press this button invokes the menu function and brings up the main menu.
EXIT/AUTO	Press this button exits the current menu and returns to the previous menu or presses this button exits the LED OSD. Press AUTO for automatic configuration.
SL-/SL+	Press this button moves your menu to make corresponding adjustment.
LED state	Green :running Red :power off or access non standard VESA signal Flash green: energy saving mode or no signal




Press AUTO if the screen migrates when power on or under other circumstances, then the screen auto configure to its best display state.(It might can't be adjusted to its best state if part of the display mode is not standard VESA mode, if so return back to OSD menu to RESET, then it will back to normal.

We suggest our customers to set up the display mode at 1280x1024, refresh rate at 60Hz

USB Keyboard Emulation






Mac keyboard

The PC compatible (101/104 keys) keyboard can emulate the functions of the Mac keyboard. The emulation mappings are listed in the below table:

PC keyboard	Mac keyboard
[Shift]	Shift
[Ctrl]	Ctrl
	
L_Win & "1"	
L_Win & "2"	
L_Win & "3"	
L_Win & F12	
[Alt]	Alt
[Print Screen]	F13
[Scroll Lock]	F14
	=
[Enter]	Return
[Backspace]	Delete
[Insert]	Help

Sun keyboard

The PC compatible (101/104 keys) keyboard can emulate the functions of the Sun keyboard when the control key [L_Win] is used in conjunction with other keys. The corresponding functions are shown in the below table:

PC keyboard	Sun keyboard
L_Win&L_Alt	Stop
L_Win&F4	Again
L_Win&L_Ctrl	Props
L_Win&F5	Undo
L_Win&F1	Front
L_Win&F6	Copy
L_Win&F2	Open
L_Win&F7	Paste
L_Win&F3	Find
L_Win&F8	Cut
L_Win&"1"	V_DN 
L_Win&"2"	Mute 
L_Win&"3"	V_UP 
L_Win&F12	Power 
L_Win&F11	Help
L_Win&L_Shift	Compose
	◆

Specifications (19")

Model		DL1901	DL1902
Computer connections	Direct	1	2
	Maximum	1	2
Port emulation	Keyboard,mouse	PS/2, USB	
LED monitor	LED model	SXGA TFT	
	View area	19"	
	Optimum resolution	1280x1024@60Hz	
	Display color	16.7 M	
	Brightness	250cd/m ² (T y p)	
	Contrast ratio	1000 : 1 (T y p)	
	Pixel pitch (mm)	0.294(H) × 0.294(W)	
Mouse	X/Y resolution	>1000 points / inch(40 points/mm)	
	Roll wheel	Support roll wheel function	
Keyboard		99 keys (82 keys main keyboard +17 independent small number pad)	
Port selection		hotkeys	
Input power		100V~ 240Vac , 50~60Hz , <1.5A	
Power consumption		19.8W	
Operating temperature		0~50 °C	
Store temperature		-20~ 60 °C	
Humidity		0~80% RH, non-condensing	
Net weight		13.1kg	
Product dimension (W × D × H)		448mm×605mm×43.5mm	
Package dimension (W × D × H)		765mm×615mm×185mm	
Optional power input		-36V~ -72V DC (Model: DL5901/DL5902)	