

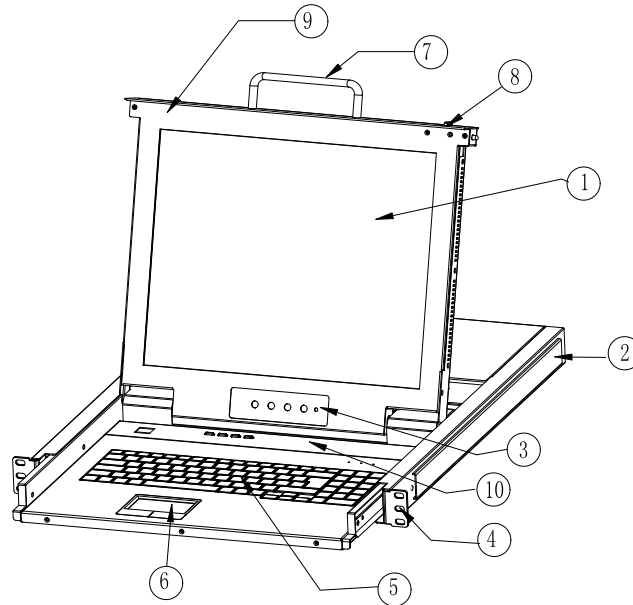
17" 4 Port VGA LCD KVM Console (XL1704)



Overview

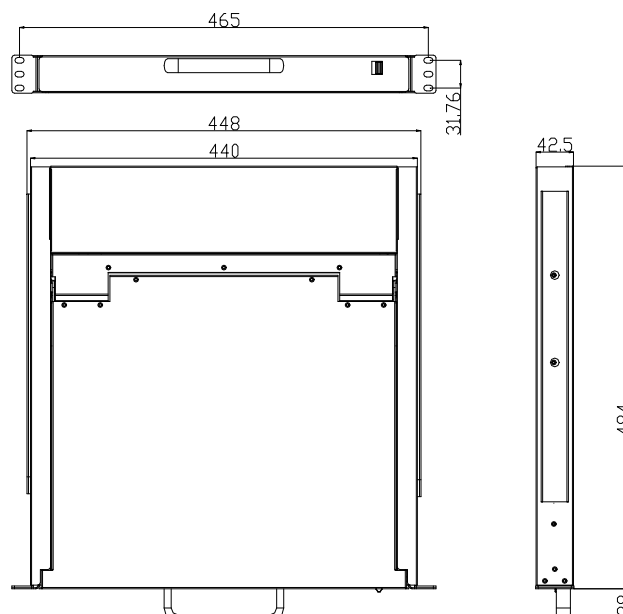
The Kinan's XL1704 LCD KVM Switch features an integrated 17" LCD screen, keyboard and touchpad in a single console that occupies only 1U of rack space. It allows access and control up to 4 computers from a single console (keyboard, mouse and monitor).

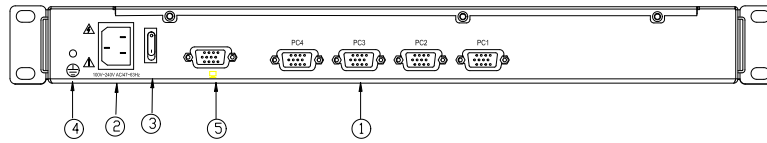
The XL1704 LCD KVM Switch has a built-in LCD monitor that supports resolution up to 1280x1024@60Hz. Switching between computers can be easily accomplished by front panel pushbuttons, keyboard hotkey combination or on-screen-display (OSD).



1 LCD Monitor	6 Touchpad
2 Rear Bracket Slot	7 Handle
3 Display Menu Buttons	8 Release Switch
4 Mounting Bracket	9 Display Panel
5 Keyboard	10 Port Selection Buttons

Structure



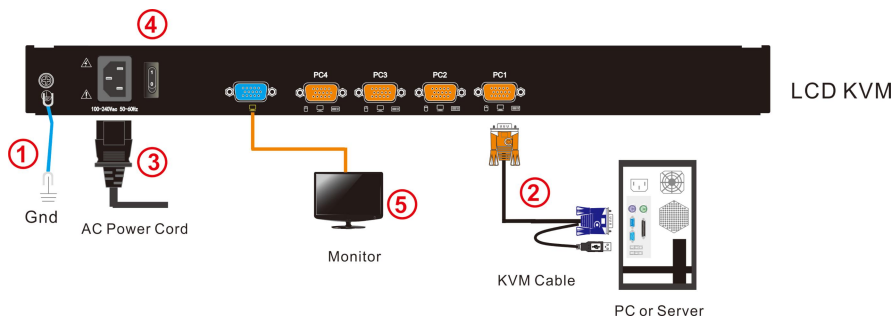


1	PC Port	3	Power switch
2	Power input(AC)	4	Ground Connection Screw

Features

- 17" TFT LCD monitor, high brightness, high resolution
- 1U height, suitable height for standard 19" rack mount, metal structure
- Ultra slim 99 keys US keyboard with small numeric keyboard
- High resolution and high flexibility with touchpad; with two function buttons and scroll wheel
- A single USB&PS2 console controls up to 4 computers
- Multiplatform support – Windows, Linux, Mac and Sun
- USB keyboard emulation – computer boot even the console focus is else where
- Convenient computer switching via front panel pushbuttons and hotkeys
- Auto scan feature for monitoring user-selected computers
- Hot pluggable – add or remove computers without having to power down the switch

Connection Diagram



Specifications

Model		XL1704
Computer Connections	Direct	4
	Max	4
Port Emulation	Keyboard, mouse	PS/2, USB
LCD Monitor	LCD Type	SXGA TFT
	View Area	17 "
	Resolution	1280×1024@60Hz
	Color Display	16.7 M
	Brightness	250cd/m ² (T y p)
	Contrast Ratio	1000: 1 (T y p)
	Pixel Pitch (mm)	0.264(H) × 0.264(W)
Mouse	X/Y Resolution	>1000 points /inch, (40 points/mm)
	Scroll ball	Support scroll ball functions
Keyboard		99 keys (82 keys main keyboard +17 independent small numeric)
Port Selection		Pushbuttons, hot keys
Power Input		100V – 240Vac, 50 ~ 60Hz, <1.5A
Power Consumption		15W
Operating Temperature		0 – 50 °C
Storage Temperature		-20 – 60 °C
Humidity		0 – 80% RH, non-condensing
Net Weight		11.8kg
Product Dimension (W × D × H)		448mm×481mm×42.5mm
Package Dimension (W × D × H)		765mm×615mm×185mm
Min Installation Distance		455mm