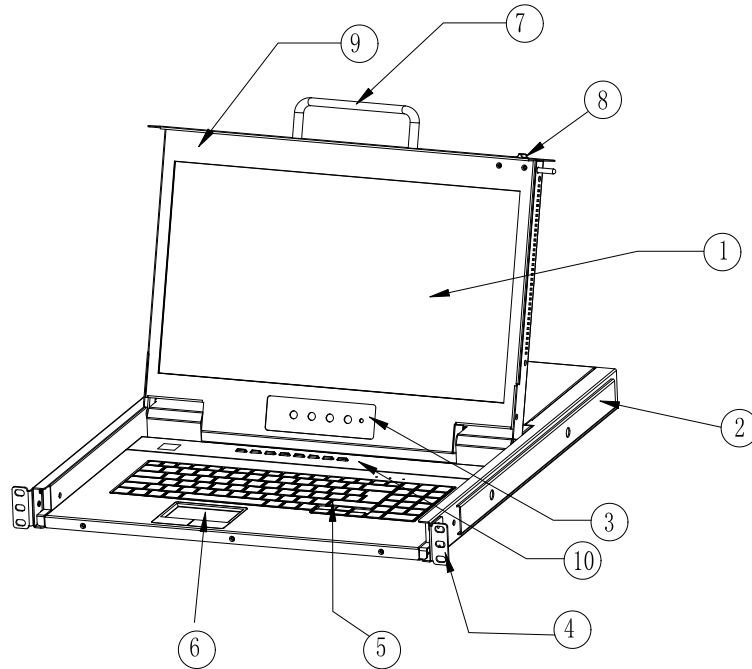


8 / 16 Port 17.3" DVI LCD KVM Console (LD1708 / LD1716)



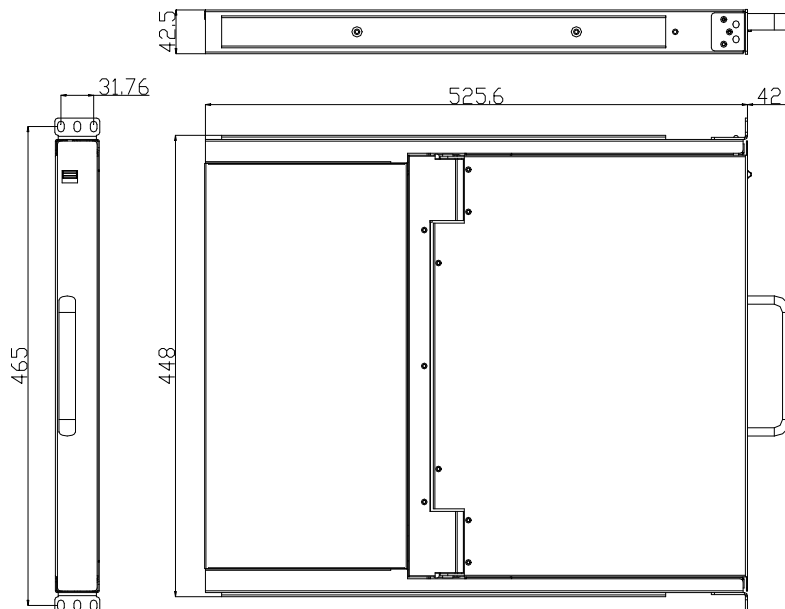
Overview

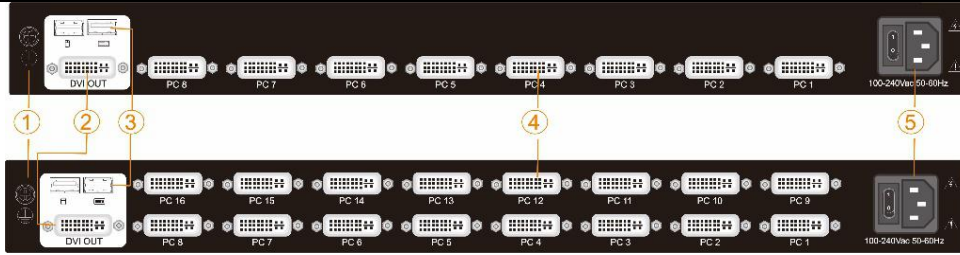
The DVI KVM console integrates a 17.3" widescreen LCD monitor, keyboard & touchpad, and an 8/16 ports DVI KVM switch in a 1U rack housing. It can control 8/16 computers with one monitor, keyboard and mouse. Connect computers via standard DVI port, resolution is up to 1920 x 1080@60Hz. It is easy and fast to install the KVM console, you just need to connect corresponding cables to the right ports of KVM and its module without software configuration.



1 LCD Monitor	6 Touchpad
2 Rear Bracket Slot	7 Handle
3 Display Menu Buttons	8 Release Switch
4 Mounting Bracket	9 Display Panel
5 Keyboard	10 Port Selection Buttons

Structure



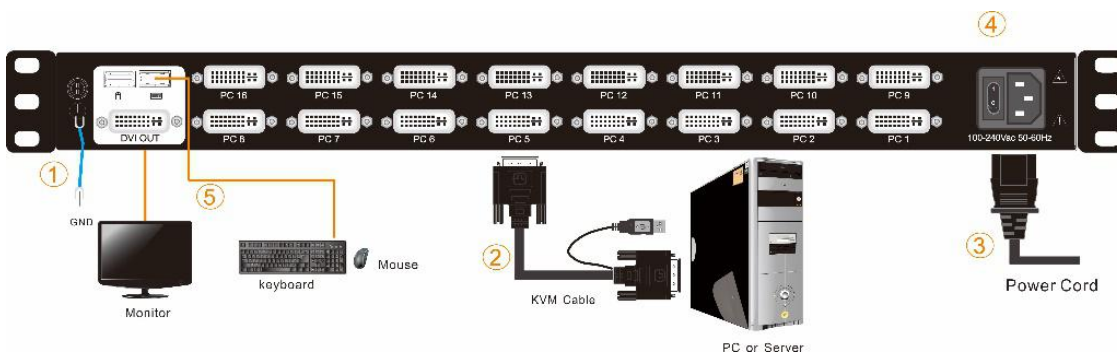


1	Ground Connection Screw	4	PC Port
2	Console Port	5	Power input(AC)
3	USB Port		

Features

- 17.3" Full HD LCD monitor, high brightness, high resolution;
- 1U height, suitable height for standard 19" rack mount, metal structure;
- Ultra slim 99 keys keyboard with small numeric keyboard;
- Superior video quality – 1080P(1920×1080@60Hz)
- A single USB console controls up to 8 or 16 computers
- Auto USB interface detection
- Supports wireless keyboard and mouse from different suppliers
- Two level password security – only authorized users view and control computers; up to four users and an administrator with a separate profile for each
- Broadcast mode – operations simultaneously performed on all selected computers
- Multiplatform support – Windows, Linux, Mac and Sun
- Supports multimedia USB keyboard (PC, Mac and Sun)
- USB or PS/2 keyboard emulation – computer boot even the console focus is else where
- Convenient computer switching via front panel pushbuttons, hotkeys, OSD (On-Screen Display)
- Auto scan feature for monitoring user-selected computers
- Hot pluggable – add or remove computers without having to power down the switch
- Quickly select your computer by naming the server or inputting SN number of the server

Connection Diagram



Specifications

Model		LD1708	LD1716
Computer connections	Direct	8	16
	Max	8	16
Port emulation	Keyboard, mouse	USB	
LED monitor	LED model	FHD TFT	
	View area	17.3"	
	Optimum resolution	1920×1080@60Hz	
	Display color	16.7 M	
	Brightness	250cd/m ² (T y p)	
	Contrast ratio	800: 1(T y p)	
Mouse	Pixel pitch(mm)	0.1989(H) × 0.1989(W)	
	X/Y resolution	>1000 points /inch, (40 points/mm)	
Keyboard	Roll wheel	Supports scroll wheel function	
		99 keys (82 keys main keyboard +17 independent small numeric keyboard)	
Port selection	pushbuttons, hotkeys, OSD menu		
Input power	100V- 240Vac, 50-60Hz, <1.5A		
Power consumption	13W	15W	
Mounting distance	510-850mm (L=420mm) Mounting bracket can be customized for other mounting distance		
Operating temperature	0—50 °C		
Store temperature	-20—60 °C		
Humidity	0—80% RH, non-condensing		
Net weight	11kg	11.2kg	
Product dimension (W × D × H)	448mm×525.6 mm×42.5mm		
Package dimension (W × D × H)	765mm×615mm×185mm		