

8 / 16 / 24 / 32 Port 17" Cat5 LCD KVM Console (LC1708 / LC1716 / LC1724 / LC1732)



Overview

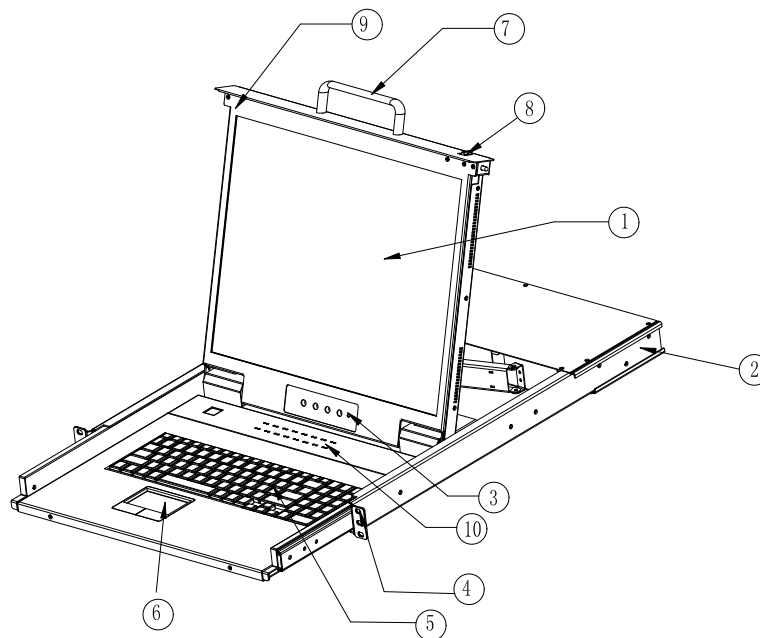
Kinan's LC17xx series CAT5 LCD KVM Switch integrate a 17" LCD monitor, a keyboard/touchpad and a Cat5 KVM switch in a 1U rack mount housing.

The LC17xx series allow access and control up to 8/16/24/32 computers from a single console (keyboard, mouse, and monitor). When cascading to another 31 KVM Switches, a single console can control up to 256/512/768/1024 computers.

The LC17xx series KVM console has a built-in 17" LCD monitor that supports resolution up to 1280x1024@60Hz. For added convenience, two USB ports and one VGA port are included in the rear of the KVM switch to allow for connection of keyboard/mouse and external display.

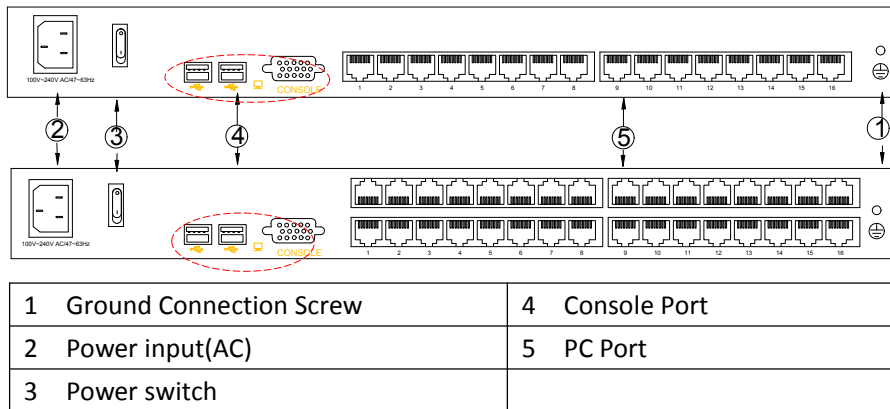
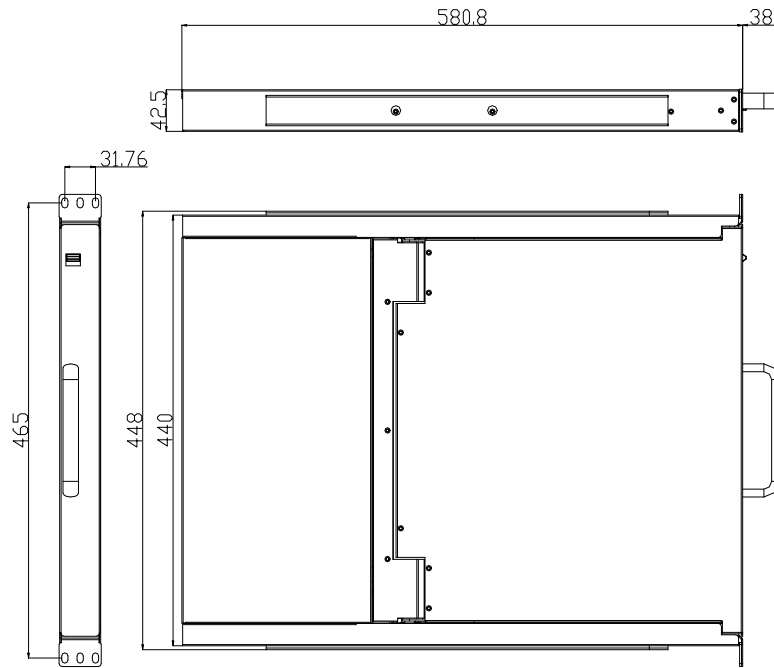
With the LC17xx KVM Console, you can switch easily between computers by front panel pushbuttons, OSD (on-screen display) or keyboard hotkey command. To enhance security, the LC17xx series provide two-level password security which prevents unauthorized users to viewing and controlling the connected computers.

With RJ-45 connectors and Cat5e/6 cables connected to computers, the CAT5 LCD KVM Switch helps extend the distance to the servers up to 100m.



1 LCD Monitor	6 Touchpad
2 Rear Bracket Slot	7 Handle
3 Display Menu Buttons	8 Release Switch
4 Mounting Bracket	9 Display Panel
5 Keyboard	10 Port Selection Buttons

Structure



Hardware Features

- Integrated KVM switch with LCD monitor, keyboard/touchpad in a 1U height console
- Standard Cat5 connection-Connect to a server or computer via standard RJ-45 connectors and Cat5e/6 cables
- LCD module can be opened up to 108 degrees to provide a comfortable viewing angle
- Support computers with USB and PS/2 keyboard and mouse

Management

- Convenient computer switching via front panel LEDs, keyboard hotkey combination or on-screen-display (OSD)
- Auto scan feature for monitoring user-selected computer
- Broadcast mode--operations simultaneously performed on all selected computers
- Hot pluggable --add or remove computers without having to power down the switch
- Quickly select your computer by naming the server or inputting SN number of the server
- On-Screen Display (OSD) adjustments-Adjust the on-screen image, including: auto adjust, exit, power on/off, brightness, and menu

High Resolution

- 17" TFT LCD monitor with highlight, high definition and high resolution
- Optimum resolution is up to 1280 x 1024 @60Hz

Cascading Connection

- By cascading up to another 31 switches, as many as 256/512/768/1024 servers can be controlled from a single console

Security

- Two level password security--only authorized users view and control computers
- Supports one administrator and four user accounts with a separate profile for each

High Performance Touchpad

- Touchpad with scroll wheel - Eliminates the need for a separate, external mouse

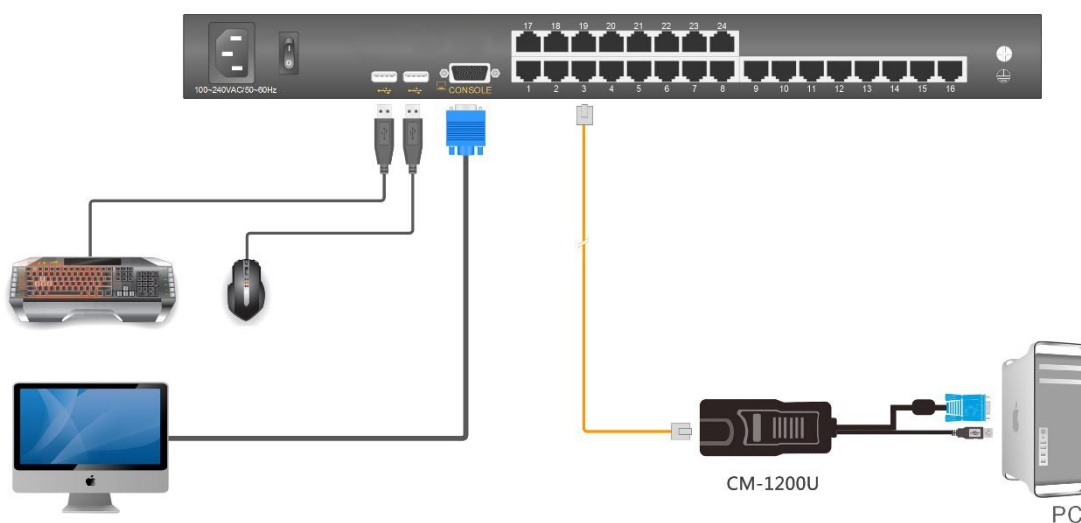
Keyboard

- Multi-language support--English, Russian, German, French, UK and Spanish, etc.
- Full size 99 keys keyboard with integrated number pad

Wide Compatibility

- Multiplatform Support-Compatible with Windows, Linux, Mac and Sun
- Supports servers form Lenovo, HUA WEI, HP, IBM, Cisco and Dell, etc.

Connection Diagram



Specifications

Model		LC1708	LC1716	LC1724	LC1732
Computer connections	Direct	8	16	24	32
	Max	256	512	768	1024
Port emulation	Keyboard, mouse	USB			
LCD monitor	LCD model	SXGA TFT			
	View area	17 "			
	Optimum resolution	1280×1024@60Hz			
	Display color	16.7 M			
	Brightness	250cd/m ² (T y p)			
	Contrast ratio	1000: 1 (T y p)			
	Pixel pitch(mm)	0.264(H) × 0.264(W)			
Mouse	X/Y resolution	>1000 points / inch, (40 points/mm)			
	Touchpad with trackball	Eliminates the need for an external mouse			
Keyboard	99 keys (82 keys main keyboard +17 independent small numeric keyboard)				
Port selection	Pushbuttons, hotkeys, OSD menu, mouse				
Input power	100V – 240Vac, 50 ~ 60Hz, <1.5A				
Power consumption	19W	20W	21W	22W	
Operating temperature	0 – 50 °C				
Store temperature	-20 – 60 °C				
Humidity	0 – 80% RH, non-condensing				
Net weight	13 kg	13 kg	13.2kg	13.2kg	
Product dimension (W × D × H)	448mm×581mm×42.5mm				
Package dimension (W × D × H)	765mm×615mm×185mm				
Optional power input	-36V– -72V DC				