

USB HDMI Dual View KVM Extender over Fiber/Cat5 (KFH262S)



Overview

The KFH262S delivers FHD high quality HDMI dual view video, USB2.0, keyboard, mouse and stereo audio signals up to a remote desk over fiber optic cable or Cat5 cable.

A complete set of KFH262S including Transmitter (KFH262S-TX) and Receiver (KFH262S-RX). The Transmitter is connected to a computer or server, and the receiver is connected to a display, keyboard, mouse, audio player and other USB devices.

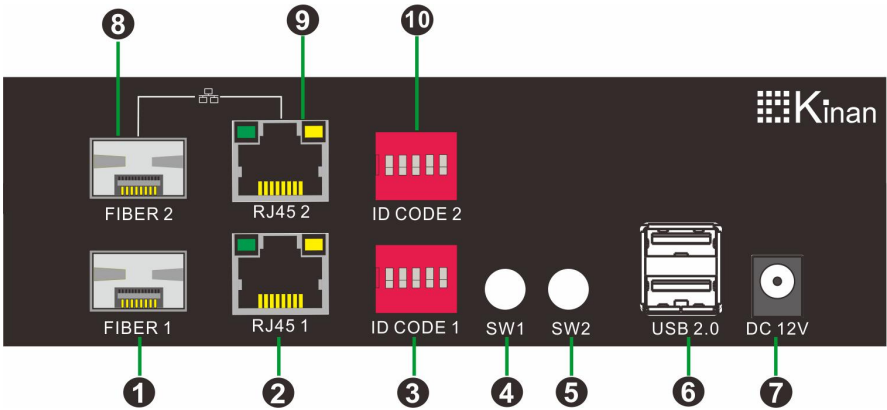
The KFH262S supports signal transmission over fiber optic cable or Cat5 cable, it supports single-mode and multi-mode optical fiber, the maximum transmission distance of single mode is 10km, for multimode the transmission distance is up to 300m. If you connect the KFH262S-TX and KFH262S-RX with a Cat5 cable, the transmitting distance is up to 150m. It supports the transmission of 2 channel high-quality HDMI signals and has a wide range of applications.


****Note: The bandwidth of the optical module must reach 1.25Gbit/sec.***

Product Features

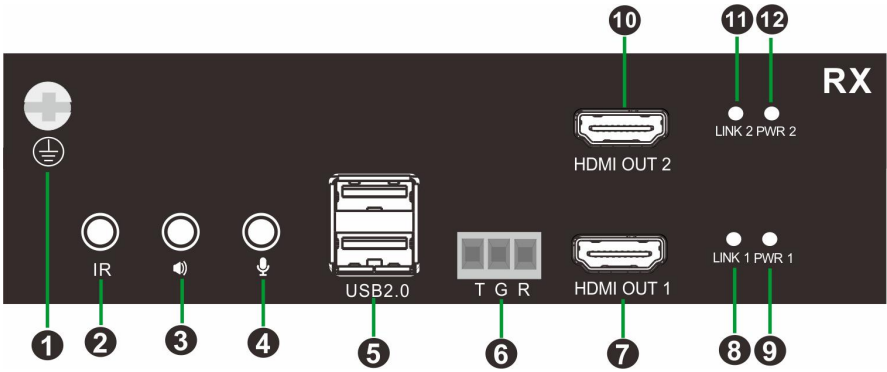
- FHD HDMI video transmission, resolution is up to 3840x2160@30Hz
- Supports 1000M LAN port
- Supports optical fiber transmission
- When using CAT5E cable for direct connection, the transmitting distance can reach 150m
- Supports USB 2.0 – Supports a wide range of USB peripherals, such as encrypted U disk, face recognition and other USB devices, connect via the built-in 4 USB hub
- Bidirectional Analog Audio: line in/out with microphone and headphone support
- Supports 1-channel asynchronous serial transmission
- Supports connect to a switch (1000M)
- Supports point-to-point dial-up connection

KFH262S_RX front panel



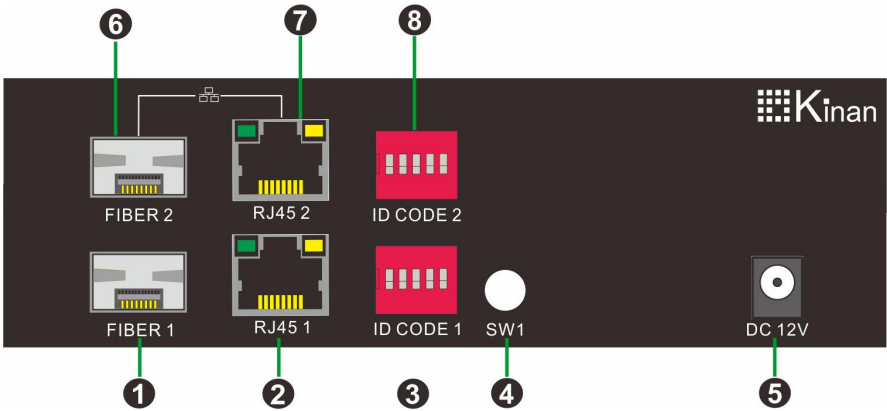
No.	Components	Description
1	Оптика 1	Optical port, plug this port with an SFP+ module
2	CAT-X1	RJ45 port, plug this port with a CAT5E cable
3	ID CODE1	DIP switch for point-to-point DIP connection
4	SW1	Pushbutton 1
5	SW2	Pushbutton 2
6	USB	Connect to USB peripherals
7	12V  2A	12V power connection port
8	Оптика 2	Optical port, plug this port with an SFP+ module
9	CAT-X2	RJ45 port, plug this port with a CAT5E cable
10	ID CODE2	DIP switch for point-to-point DIP connection

KFH262S_RX rear panel



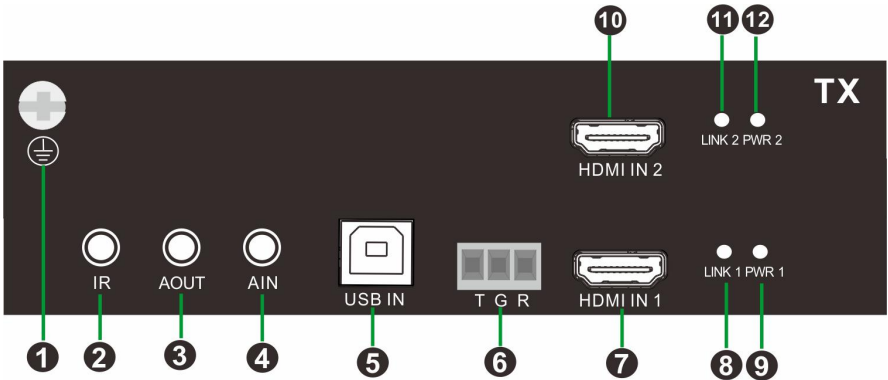
No.	Components	Description
1		Connect the device to the ground
2	IR	Reserved port
3		Audio output
4		MIC input
5	USB2.0	Connect to USB peripherals
6	TGR	Serial port
7	HDMI OUT1	Connect to a HDMI monitor
8	LINK1	Connection status indicator
9	PWR1	Power Indicator
10	HDMI OUT2	Connect to a HDMI monitor
11	LINK2	Connection status indicator
12	PWR2	Power Indicator


KFH262S_TX front panel



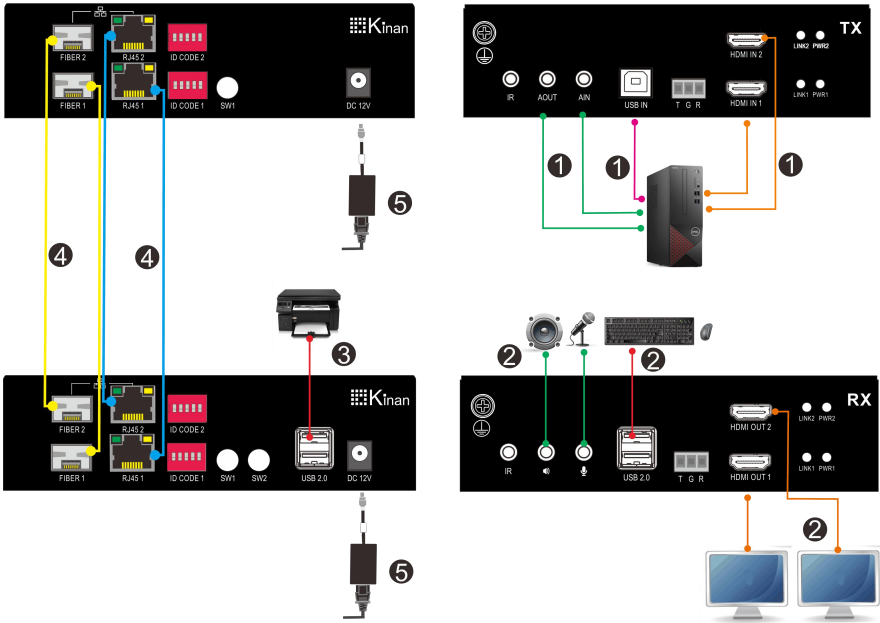
No.	Components	Description
1	FIBER1	Optical port, plug this port with an SFP+ module
2	RJ452	RJ45 port, plug this port with a CAT5E cable
3	ID CODE1	DIP switch for point-to-point DIP connection
4	SW1	Pushbutton
5	DC12V	12V power connection port
6	FIBER2	Optical port, plug this port with an SFP+ module
7	RJ451	RJ45 port, plug this port with a CAT5E cable
8	ID CODE2	DIP switch for point-to-point DIP connection

KFH262S_TX rear panel



No.	Components	Description
1		Connect the device to the ground
2	IR	Reserved port
3	AOUT	MIC out
4	AIN	Audio in
5	USB IN	USB in
6	TGR	Serial port
7	HDMI IN1	HDMI video input
8	LINK1	Connection status indicator
9	PWR1	Power Indicator
10	HDMI IN2	HDMI video input
11	LINK2	Connection status indicator
12	PWR2	Power Indicator

Connection Diagram



1. Connect the KFH262S_TX to the HDMI video port, USB port and audio port of a computer. (See ① in the above diagram)
2. Connect the KFH262S_RX to keyboard, mouse, monitor and audio device. (See ② in the above diagram)
3. Connect the USB peripherals to the KFH262S_RX. (See ③ in the above diagram)
4. Connect the transmitter and receiver interfaces via optical fiber or CAT5E cable. (See ④ in the above diagram)
5. Power on the transmitter and receiver. (See ⑤ in the above diagram)

Specifications

Model		KFH262S_TX	KFH262S_RX
Interfaces	HDMI in	2	NA
	HDMI out	NA	2
	Power	12V	12V
	SFP	SFPx 2	SFPx 2
	Microphone	3.5mm Stereo Jack (Pink)	3.5mm Stereo Jack (Pink)
	Speaker	3.5mm Stereo Jack (Green)	3.5mm Stereo Jack (Green)
	LAN	RJ45 x 2	RJ45 x 2
	USB Type B	1	N/A
	USB 2.0	N/A	USB x 4
Resolution		3840x2160@30Hz	
Connection Cable		Fiber optical cable or Cat5/6 cable	
Power Input		DC12V /2A	DC12V / 2A
Power Consumption		5.8W	5.3W (USB peripherals not included)
Operating Temperature		0–50 °C	
Storage Temperature		-20–60 °C	
Humidity		0–80% RH, Non-condensing	
Material		Metal	
Net Weight (kg)		0.5 kg	0.5kg
Product Dimension (W × D × H)		158 mm x 80 mm x 44mm	
Package Dimension (W × D × H)		395 mm x 274 mm x 110mm	