

USB Dual DVI KVM Extender (KED202S) User Manual



www.kinankvm.com

@all right reserved Shenzhen KinAn Technology Co.,Limited

Print Date: 2023/ 09

Version: V2.0

Overview

The KED202S USB Dual DVI HDBaseT™ KVM extender integrates the latest HDBaseT™ technology and delivers high quality Dual DVI video, USB and stereo audio signals up to 100m via single Cat5 / Cat6 cable.

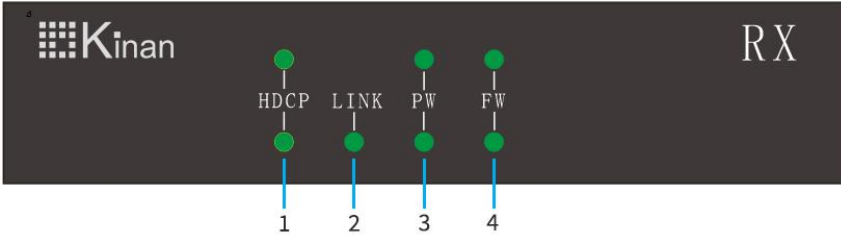
A complete set of KED202S including Transmitter (KED202S_TX) and Receiver (KED202S_RX). The Transmitter is connected to a computer or server, and the receiver is connected to a display, keyboard, audio player and other USB devices.

The KED202S enables remote high-speed access to a single computer at HD display resolution, while improving workplace ergonomics and separating employees from a noisy working environment.

Features

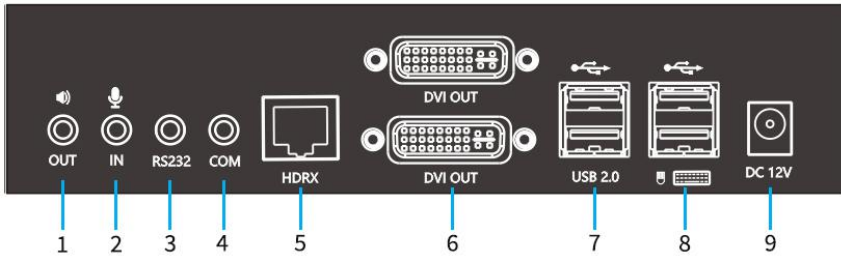
- Allows dual DVI access to your computer from a remote console up to 100m
- Support USB keyboard and mouse
- Uncompressed DVI HD video, resolution up to 1920 x 1200 @60Hz@100m
- Transparent USB 2.0 – Supports a wide range of USB devices including keyboards, mice, mass storage devices and printers. It provides 4 USB ports on the Receiver and 1 USB on the Transmitter.
- Support individual 2-channel stereo audio, 1 LINEIN + 1 LINEOUT
- Extends video, audio, USB, RS-232 signals via a single Cat5e / Cat 6 cable
- Easy to install - no software required - connecting cables to the devices is all it takes
- Plug and play
- Support EDID transparent transmission

KED202S_RX front panel



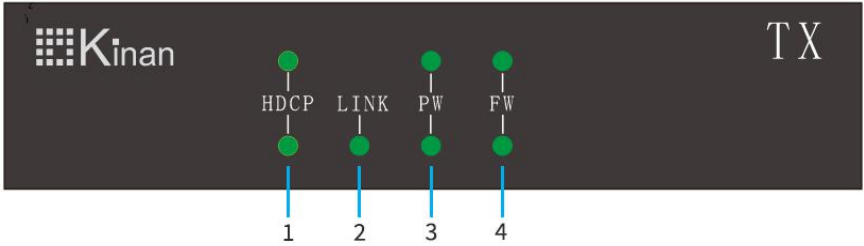
No.	Components	Description
1	HDCP	Indicates the video status
2	LINK	Indicates the connecting status with the Transmitter.
3	PW	Power indicator
4	FW	Device running status

KED202S_RX Rear Panel



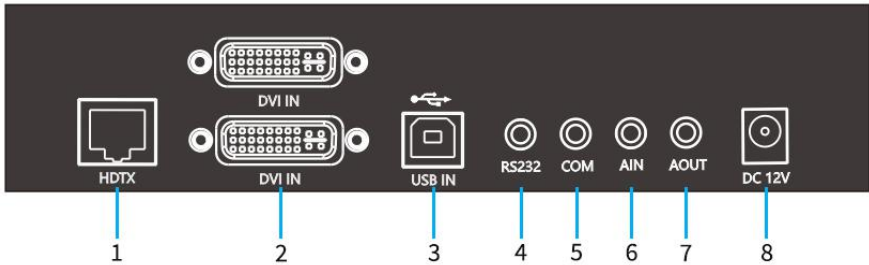
No.	Components	Description
1	OUT	Audio Output
2	IN	Mic Input
3	RS232	RS232 serial port
4	COM	Reserved port
5	HDRX	CAT5E/CAT6 cable connection port to connect to the Transmitter.
6	DVI OUT	Connect to DVI display
7	USB2.0	Connect to other USB peripherals devices
8	USB port	Connect to USB keyboard/Mouse
9	Power Socket	12V power

KED202S_TX front panel



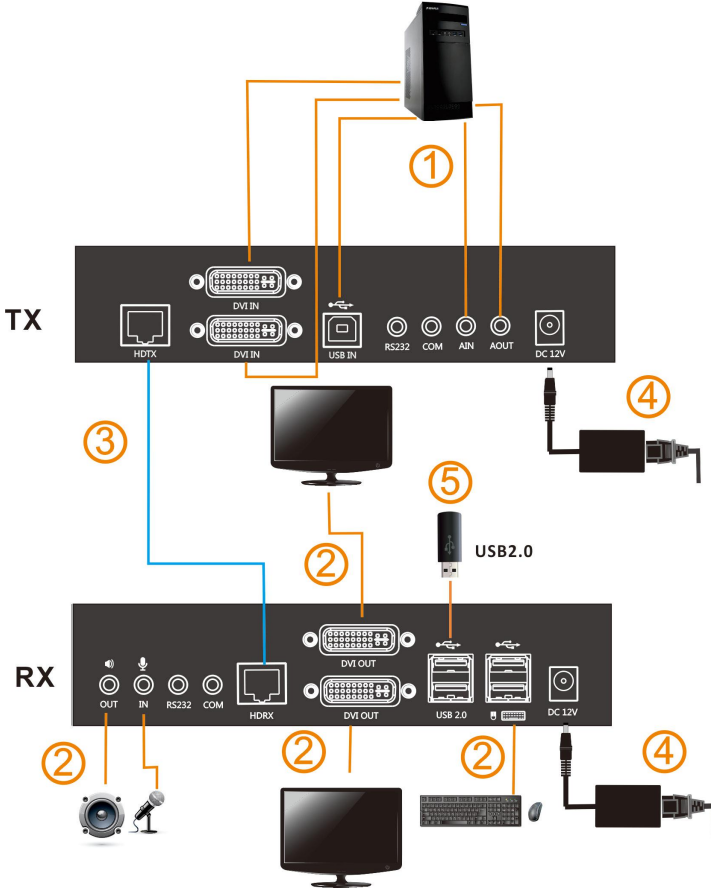
No.	Components	Description
1	HDCP	Indicates the video status
2	LINK	Indicates the connecting status with the Transmitter.
3	PW	Power indicator
4	FW	Device running status

KED202S_TX Rear Panel



No.	Components	Description
1	HDTX	CAT5E/CAT6 cable connection port to connect to the Receiver.
2	DVI IN	DVI video input
3	USB IN	Connect to the USB port of a computer.
4	RS232	RS232 serial port
5	COM	Reserved port
6	AIN	Audio Input
7	AOUT	Mic Output
8	Power Socket	12V power

Connection Diagram



1. Connect the KED202S_TX to PC's video, USB port and audio port. (① in the above diagram)
2. Connect the KED202S_RX to keyboard, mouse, display and audio device. (② in the above diagram)
3. Connect KED202S_TX unit and KED202S_RX unit with CAT5E/CAT6 cable through the HDTX and HDRX ports. (Max 100m) (③ in the above diagram)
4. Power on the KED202S_TX and KED202S_RX unit. (④ in the above diagram)

Specifications

Model No.		KED202S_TX	KED202S_RX
Connectors	DVI Input	2	NA
	DVI Output	NA	2
	Power	12V	12V
	Network Port	RJ45 x1	RJ45 x 1
	Mic	3.5MM Stereo Jack (pink)	3.5MM Stereo Jack (pink)
	Speaker	3.5MM Stereo Jack (green)	3.5MM Stereo Jack (green)
	USB Type B	1	N/A
	USB 2.0	N/A	USB x 4
Resolution		1920 X 1200@ 60 Hz (1080P)	
Connecting cable		CAT 5E / 6	
Power Input		DC12V / 2A	DC12V / 2A
Power consumption		6.5W	10.5W
Working Temperature		0—50 °C	
Storage Temperature		-20—60 °C	
Humidity		0—80% RH, Non-condensing	
Material		Metal	
N.W. (kg)		0.73 kg	0.73 kg
Dimension (W × D × H)		180 mmx 122mm x 44mm	
Package Dimension (W × D × H)		395 mm x 274 mm x 110mm	

FQA

No.	Issue	Solution
1	PW light does not light up	Check whether the extender is connected to the 12V power adapter
		Check whether the power adapter is well connected with the power cord and the power strip
		Check whether the power strip has mains power (100-240V)
2	LINK light does not light up	Check whether the TX/RX network cable is connected properly
		Change a CAT5e/ CAT6/ CAT7 network cable that can be used normally
3	HDCP light does not light up	Check whether the DVI signal cable between RX and monitor, TX and PC host is well connected
		Check whether the host PC or monitor is in normal working condition
		Plug and unplug the DVI signal cable on the PC host