

CAT5 Dongle-DP

User Manual



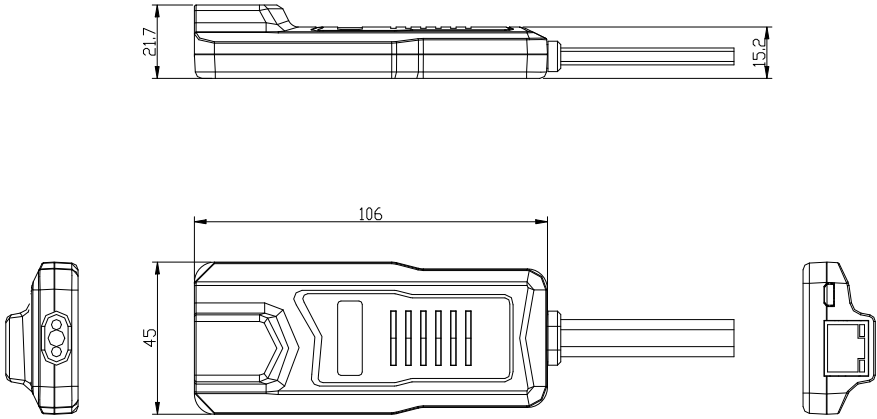
www.kinankvm.com

@all right reserved Shenzhen Kinan Technology Co., Ltd

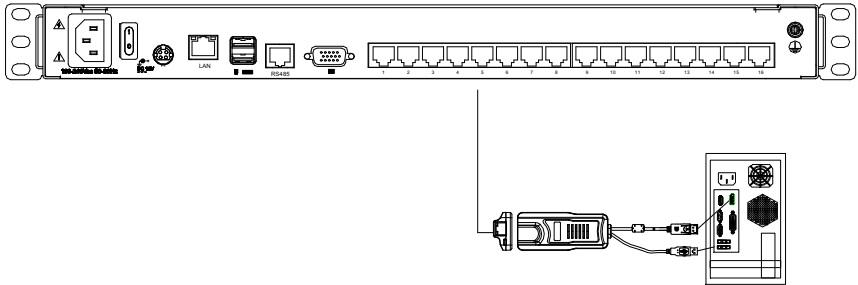
Printing date: 2022/05

Version: V1.0

Product Overview



Connection Diagram



Explanation:

1. The cable used to connect the dongle must be a Category 5e (shielded) CAT5/6 network cable

2. RJ45-LED light on the dongle:

Green light is always on: Indicates that the PC or server that is connected to this dongle has been connected to the KVM and is powered on.

Orange and green lights are always on: Indicates that the PC or server that is connected to this dongle is in use.

Specifications

Model		KCM-4200P	
Connector	Input	USB	1x USB type A
		DP	1x DisplayPort (male)
	Output		1x RJ-45 (Female)
LED	Connected		Steady green light
	Online		Steady orange and green lights
Environment Requirements	Operating Temperature		0-50°C
	Store Temperature		-20-60°C
	Humidity		0-80%RH, Non-condensing
Physical Features	Material		Plastic
	Cable Length		DP: 150 mm (Including DP connector) USB: 300 mm
	Weight		90g
	Dimension		106mm x 45mm x 21.7mm