

8 / 16 Port 19" Dual Rail VGA LCD KVM Console (DL1908 / DL1916)

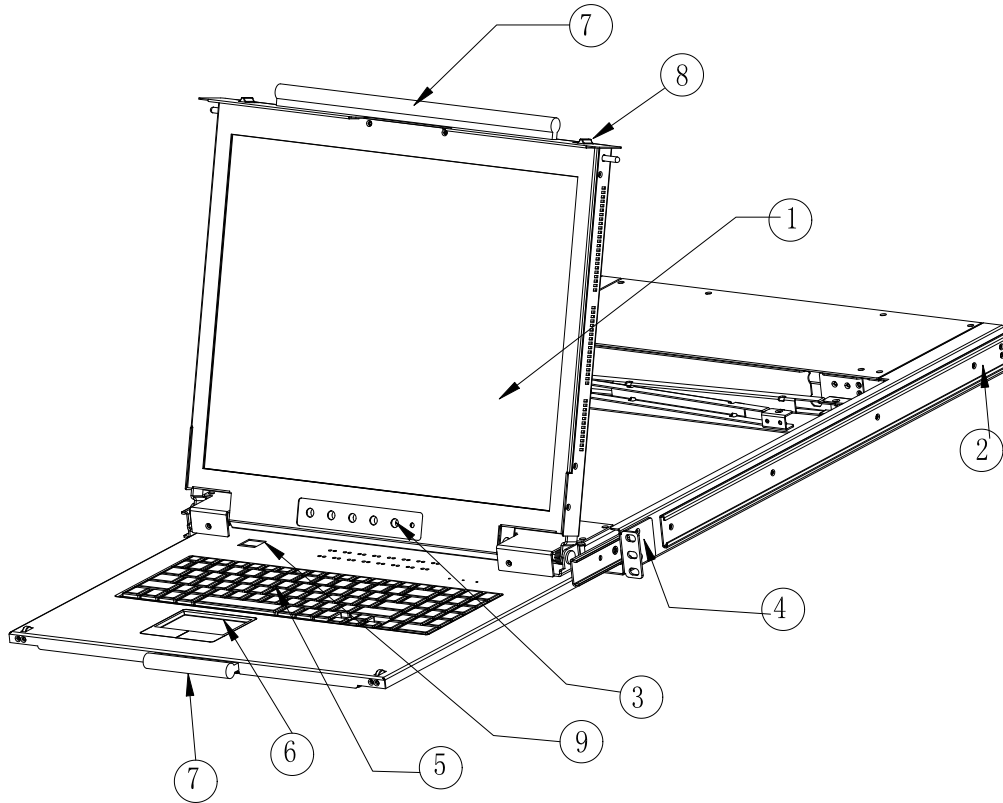


Overview

The DL19 series dual rail LCD KVM switch is a control unit that allows access and control up to 8/16 computers from a single USB and PS2 console. An extra console port is provided on the rear panel to manage the LCD KVM switch from an external console.

The 19" LCD monitor and keyboard/touch pad modules slide independently of each other. By cascading 31 additional switches, as many as 256/512 computers can be controlled from a single keyboard-monitor-mouse console.

The DL19 series LCD KVM has a built-in LCD monitor that supports resolution up to 1280x1024@60Hz.

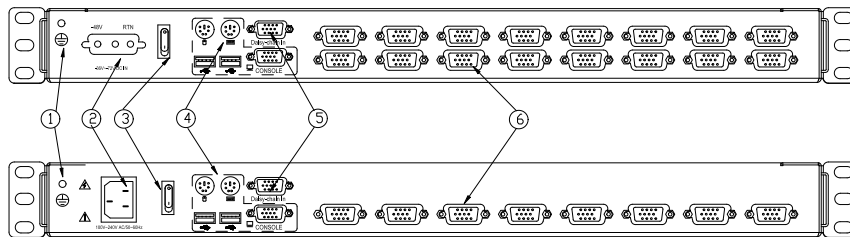
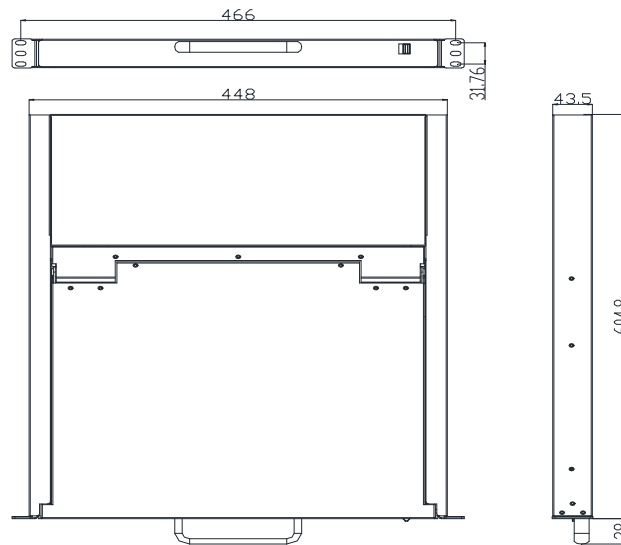


1 LCD Monitor	6 Touchpad
2 Rear Bracket Slot	7 Handle
3 Display Menu Buttons	8 Release Switch
4 Mounting Bracket	9 Display Panel
5 Keyboard	10 Port Selection Buttons

Package Contents

- 1x DL19 LCD KVM Switch
- 1x Power Cord (Regional)
- 2x Mounting Rails
- 8/16x KVM Cable (CH1802U; VGA, USB; 1.8m/6ft)
- 1x Quick Start Guide

Structure



1 Ground Connection Screw	2 Power input (AC or DC)
3 Power Switch	4 Console Port
5 Cascade port	6 KVM Port

Hardware Features

- Integrated KVM console with 19" LCD monitor, keyboard and touchpad in a dual rail housing
- Standard VGA connection-Connect to a server or computer via standard VGA connectors
- LCD module can be opened up to 108 degrees to provide a comfortable viewing angle
- Support computers with USB and PS/2 keyboard and mouse

Dual Rail Design

- The LCD panel and keyboard/touchpad modules slide independently of each other, the keyboard/touchpad module slides back to "hide away" when not in use, while the thin profile LCD monitor rotates back, flush against the rack, allowing administrators to easily manage computer.

Management

- Convenient computer switching via front panel LEDs, keyboard hotkey combination or on-screen-display (OSD)
- Auto scan feature for monitoring user-selected computer
- Broadcast mode--operations simultaneously performed on all selected computers
- Hot pluggable --add or remove computers without having to power down the switch

- Quickly select your computer by naming the server or inputting SN number of the server
- On-Screen Display (OSD) adjustments-Adjust the on-screen image, including: auto adjust, exit, power on/off, brightness, and menu

High Resolution

- 19" TFT LCD monitor with highlight, high definition and high resolution
- Optimum resolution is up to 1280 x 1024 @60Hz, max resolution supports up to 1280x1024@75Hz

Daisy-Chain Connection

- By daisy-chaining up to another 31 switches, as many as 512 servers can be controlled from a single console

Security

- Two level password security--only authorized users view and control computers
- Supports one administrator and four user accounts with a separate profile for each

High Performance Touchpad

- Touchpad with scroll wheel - Eliminates the need for a separate, external mouse

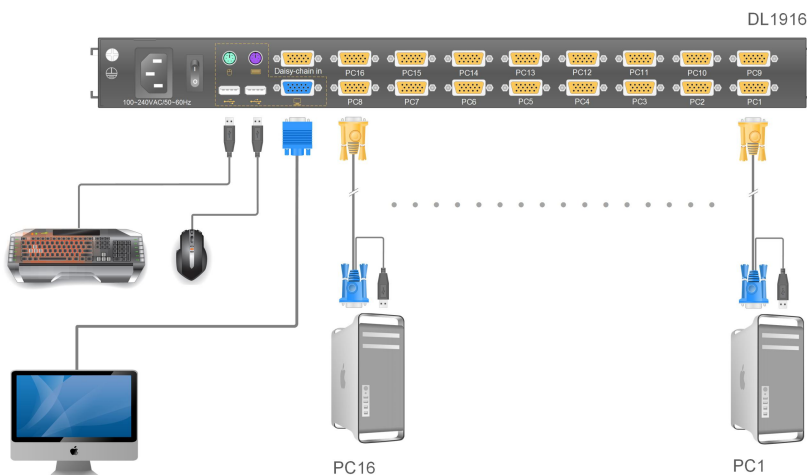
Keyboard

- Multi-language support--English, Russian, German, French, UK and Spanish etc.
- Full size 99 keys keyboard with integrated number pad

Wide Compatibility

- Multiplatform Support-Compatible with Windows, Sun, Unix and Linux
- Supports servers form Lenovo, HUA WEI, HP, IBM, Cisco and Dell, etc.

Connection Diagram



Specifications

Model		DL1908	DL1916
Computer connections	Direct	8	16
	Max	256	512
Port emulation	Keyboard, mouse	PS/2, USB	
LCD monitor	LCD model	SXGA TFT	
	View area	19"	
	Optimum resolution	1280×1024@60Hz	
	Display color	16.7 M	
	Brightness	250cd/m ² (T y p)	
	Contrast ratio	1000 : 1 (T y p)	
Mouse	Pixel pitch(mm)	0.2928(H) × 0.2928(W)	
	X/Y resolution	>1000 points /inch, (40 points/mm)	
Keyboard	Roll wheel	Supports scroll wheel function	
		99 keys (82 keys main keyboard +17 independent small numeric keyboard)	
Port selection	hotkeys, OSD menu		
Input power	100V- 240Vac, 50-60Hz, <1.5A		
Power consumption	21W	23W	
Mounting distance	610~950mm (L=420mm) Mounting rails can be customized for other mounting distance.		
Operating temperature	0—50 °C		
Store temperature	-20—60 °C		
Humidity	0—80% RH, non-condensing		
Net weight	13.6kg	13.8kg	
Product dimension (W × D × H)	448mm×605mm×43.5mm		
Package dimension (W × D × H)	765mm×615mm×185mm		
Optional power input	-36V— -72V DC		