

# 19" Rack-Mount LCD Console

(VGA / DVI)

## User Manual



[www.kinankvm.com](http://www.kinankvm.com)

@all right reserved Shenzhen Kinan Technology Co., Ltd.

Print Date: 2022/02

Version: V1.1

### Overview

The LS3901 DVI VGA LCD Console is a short depth single rail LCD KVM console featuring a 19" LCD monitor with an integrated keyboard and touchpad. It supports two types of video input – DVI and VGA – allowing users to connect the console and the computer via any of the two types of video source.

### Features

- 19 in. LCD monitor, keyboard, numeric keypad and touchpad
- All-in-one control of computer, server or KVM Switch
- Support two types of video inputs - DVI, VGA
- 19" LCD screen offers resolutions of up to 1280 x 1024@60Hz
- Ultra-thin 99-key US keyboard with numeric keypad
- Integrated touchpad - Eliminates the need for a separate, external mouse
- Supports hot-plugging
- Auto locking slide rail

### Appearance

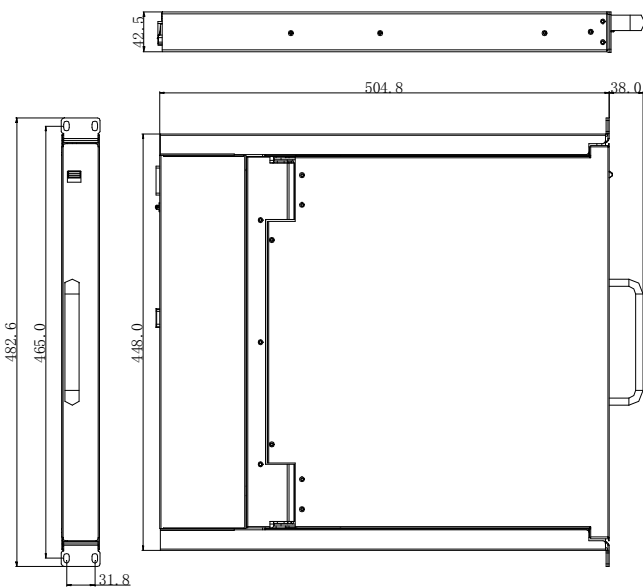


Figure 1-1 appearance

Front View

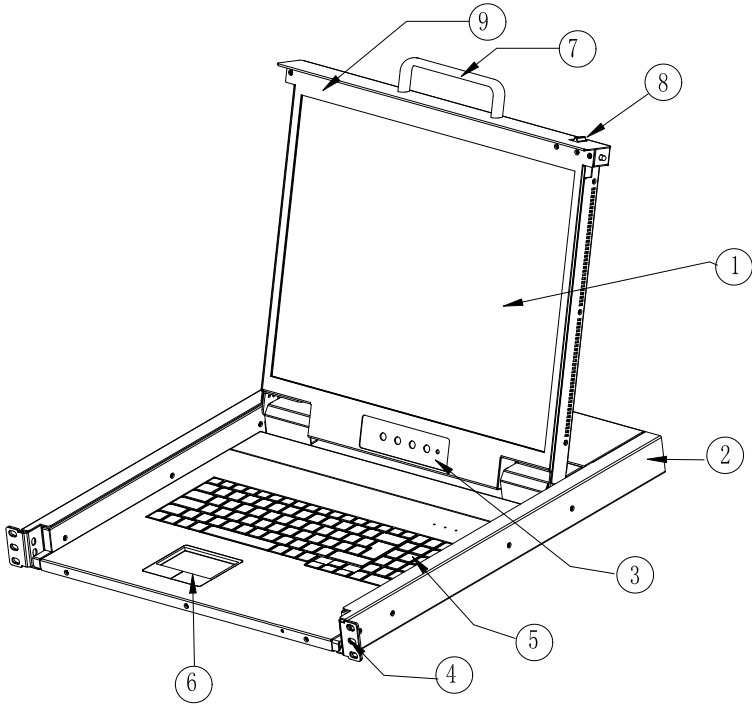


Figure 1-2 Front View

- |                      |                  |
|----------------------|------------------|
| 1. LCD monitor       | 6. Touchpad      |
| 2. Rear Bracket Slot | 7. Handle        |
| 3. OSD Controls      | 8. Release Lock  |
| 4. Front Bracket     | 9. Display Panel |
| 5. Keyboard          |                  |

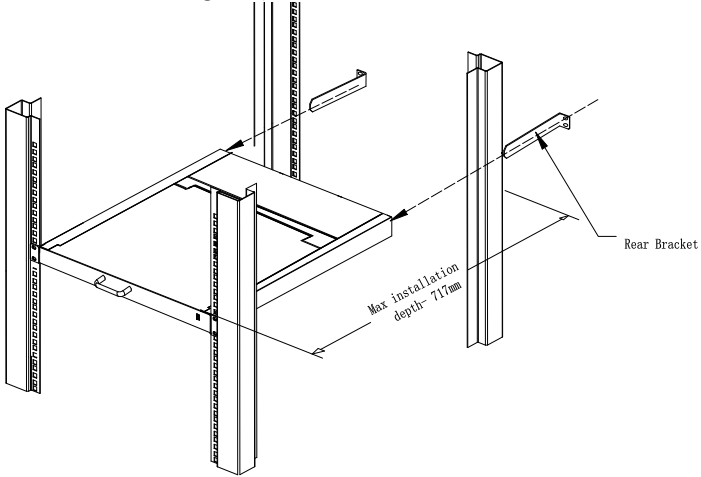
### Rack Mounting

A standard rack mounting kit is provided to mount the switch in a depth of 500-717mm rack.

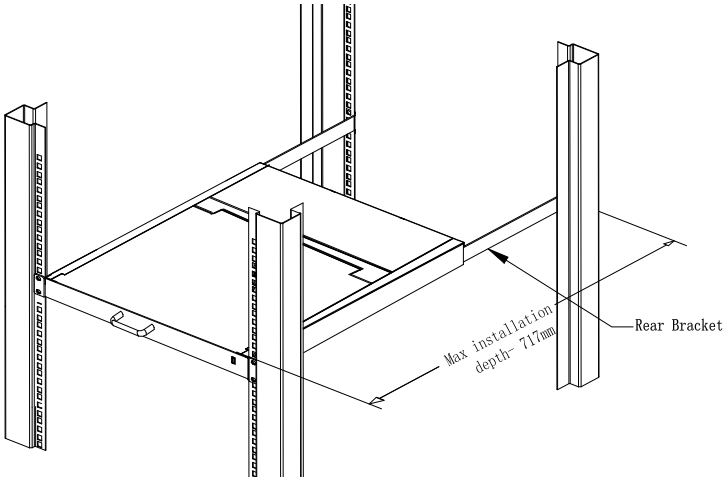
500-525 mm (L=62mm)

702-717 mm (L=262mm)

With one person hold the switch in place and the other person slides the L bracket into the switch's side mounting brackets from the front to the back, then screws the brackets to the rack. (See below installation diagrams)



2-1 rack mounting (1)



2-2 rack mounting (2)

### Rear View

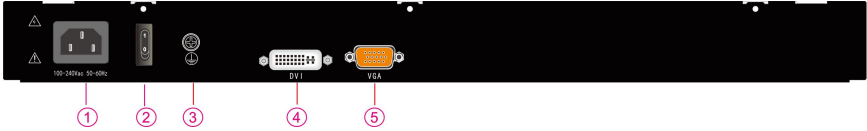



Figure 3-1 rear view

No.	Components	Function
1	100V-240Vac	Power input
2		Power switch
3		Ground connection
4	DVI	DVI video input
5	VGA	VGA video input

### Connection Diagram

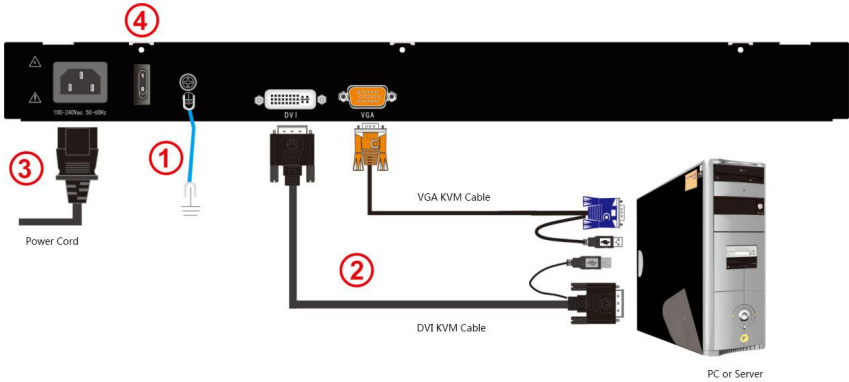


Figure 3-2 Connection Diagram

To ensure signal integrity and simplify cable layout, we strongly recommend you use high quality cables with different length.

### Opening the Console

- Power on the KVM after connecting cables.
- Power on the server or PC after power on the KVM.
- Release the release catch.

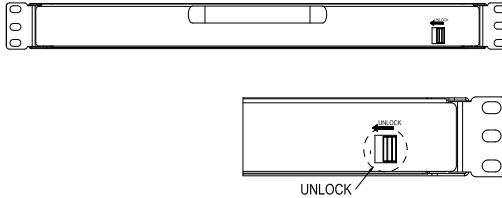


Figure 3-3 unlocking

**\*Note: The release catch can only do horizontal locking, it can't bear any load.**

- Pull the KVM console all the way out and the slide rail automatically locked to its place.
- Rotate the LCD panel all the way back to expose the LCD screen; the LCD module can be rotated up to 108°.

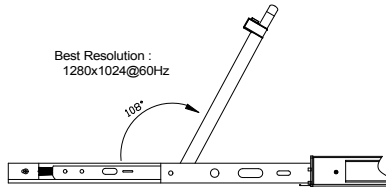


Figure 3-4 open angel of the console

### Closing the Console

- Close the console and the power automatically shut down.
- Push the release catch in the direction of the arrow, push the LCD panel all the way in until it automatically locks up.

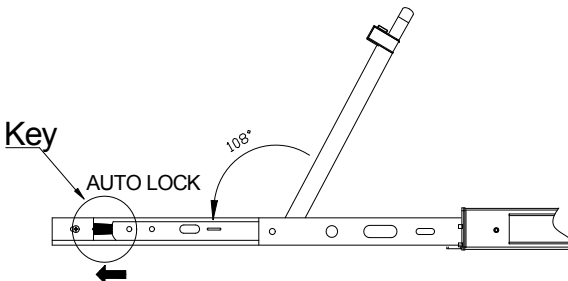


Figure 3-5 unlocking the slide rail

### OSD Controls



Figure 3-6 OSD controls

Buttons	Functions
MENU SELECT	Press this button invokes the menu function and brings up the main menu.
EXIT/AUTO	Press EXIT exits the current menu and returns to the previous menu or presses this button exits the LED OSD. Press AUTO for automatic configuration.
SL-/SL+	Press this button moves your menu to make corresponding adjustment.
LED state	Green: running Red: power off or access nonstandard VESA signal Flash green: energy saving mode or no signal

Table 1.1 OSD controls instructions

Press AUTO when the screen migrates after power on or under other circumstances, then the screen auto configure to its best display state.(It might can't be adjusted to its best state if part of the display mode is not standard VESA mode, if so return back to OSD menu to RESET, then it will back to normal.

We suggest our customers to set up the display mode at 1280x1024, refresh rate at 60Hz.

**Specifications-19"**

Model		LS3901
Computer Connections	Direct	1
	Max	1
Port emulation	Keyboard, mouse	PS/2, USB
LCD monitor	LCD model	SXGA TFT
	View area	19"
	Optimum resolution	1280×1024@60Hz
	Display color	16.7 M
	Brightness	250cd/m <sup>2</sup> ( T y p )
	Contrast ratio	1000 : 1 ( T y p )
	Pixel pitch(mm)	0.2928(H) × 0.2928(W)
Mouse	X/Y resolution	>1000 points / inch, (40 points/mm)
	Scroll wheel	Support scroll wheel function
Keyboard		99 keys (82 keys main keyboard +17 independent small numeric keyboard)
Video Inputs		DVI, VGA
Power input rating		100V-240Vac, 50-60Hz, <1.5A
Power consumption		17W
Operating temperature		0 – 50 °C
Store temperature		-20 – 60 °C
Humidity		0~80% RH, non-condensing
N.W.		12 kg
Mounting distance		495~510mm (L=62mm) 695~710mm (L=262mm) Mounting rails can be customized for other mounting distance.
Product dimension (W × D × H)		448mm×505mm×42.5mm
Package dimension (W × D × H)		765mm×615mm×185mm
Optional power input		-36V— -72Vdc
Optional power input		20-30Vdc