

19" Rack-Mount LCD Console (VGA / DVI)

LS3901



Overview

The LS3901 DVI VGA LCD Console is a short depth single rail LCD KVM console featuring a 19" LCD monitor with an integrated keyboard and touchpad. It supports two types of video input – DVI and VGA – allowing users to connect the console and the computer via any of the two types of video source.

Features

- 19 in. LCD monitor, keyboard, numeric keypad and touchpad
- All-in-one control of computer, server or KVM Switch
- Support two types of video inputs - DVI, VGA
- 19" LCD screen offers resolutions of up to 1280 x 1024@60Hz
- Ultra thin 99-key US keyboard with numeric keypad
- Integrated touchpad - Eliminates the need for a separate, external mouse
- Supports hot-plugging
- Auto locking slide rail

Appearance

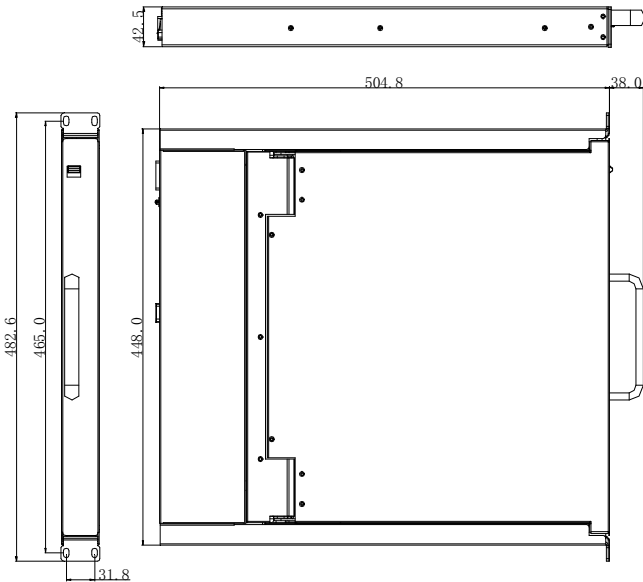


Figure 1.1 appearance

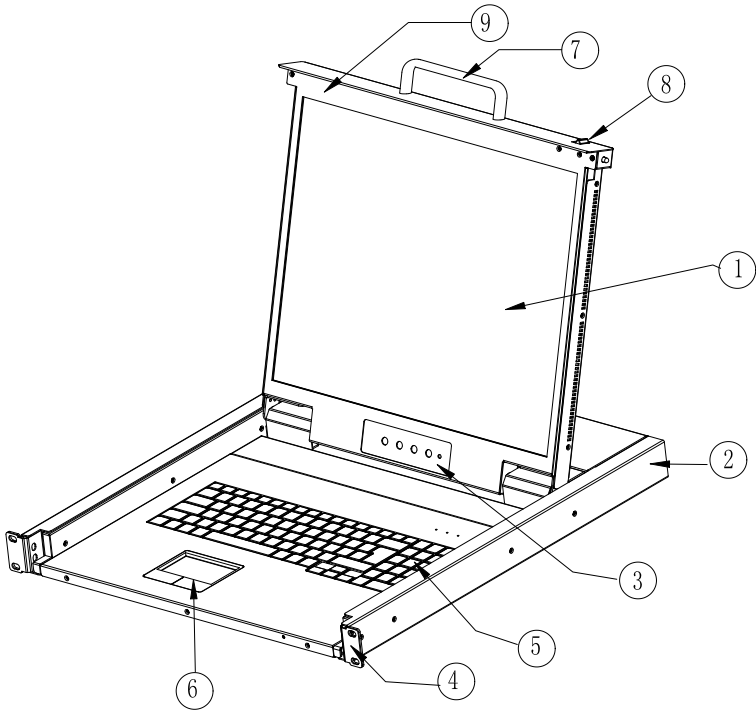
Front View

Figure 1-2 Front View

- | | |
|----------------------|------------------|
| 1. LCD monitor | 6. Touchpad |
| 2. Rear Bracket Slot | 7. Handle |
| 3. OSD Controls | 8. Release Lock |
| 4. Front Bracket | 9. Display Panel |
| 5. Keyboard | |

Rear View

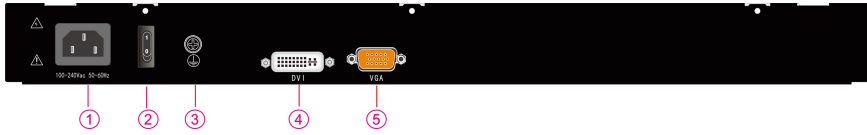



Figure 3-1 rear view

No.	Components	Function
1	100V-240Vac	Power input
2		Power switch
3		Ground connection
4	DVI	DVI video input
5	VGA	VGA video input

Connection Diagram

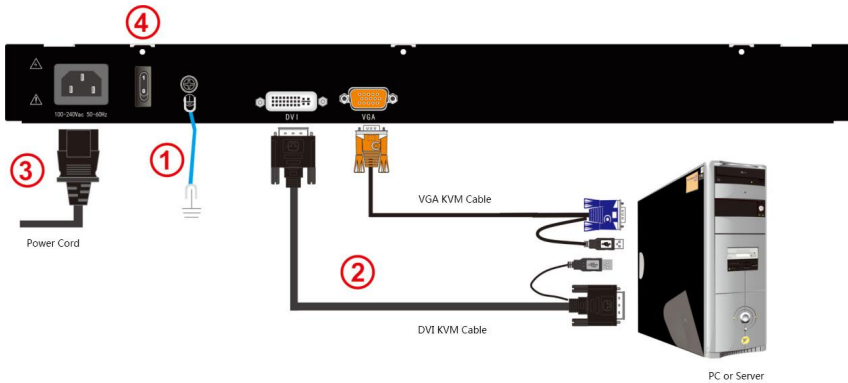


Figure 3-2 Connection Diagram

Specifications-19"

Model		LS3901
Computer Connections	Direct	1
	Max	1
Port emulation	Keyboard, mouse	PS/2, USB
LCD monitor	LCD model	SXGA TFT
	View area	19"
	Optimum resolution	1280×1024@60Hz
	Display color	16.7 M
	Brightness	250cd/m ² (Typ)
	Contrast ratio	1000 : 1 (Typ)
	Pixel pitch(mm)	0.2928(H) × 0.2928(W)
Mouse	X/Y resolution	>1000 points / inch, (40 points/mm)
	Scroll wheel	Support scroll wheel function
Keyboard	99 keys (82 keys main keyboard +17 independent small numeric keyboard)	
Video Inputs	DVI, VGA	
Power input rating	100V-240Vac, 50-60Hz, <1.5A	
Power consumption	17W	
Operating temperature	0 – 50 °C	
Store temperature	-20 – 60 °C	
Humidity	0~80% RH, non-condensing	
N.W.	12 kg	
Mounting distance	495~510mm (L=62mm) 695~710mm (L=262mm) Mounting rails can be customized for other mounting distance.	
Product dimension (W × D × H)	448mm×505mm×42.5mm	
Package dimension (W × D × H)	765mm×615mm×185mm	
Optional power input	-36V— -72Vdc	
Optional power input	20-30Vdc	