

1Port 17" HD KVM Console User Manual



www.kinankvm.com

@all right reserved Shenzhen Kinan Technology Co., Ltd

Print date: 2024/ 06

Version: V3.0

Brief Description

Single port console integrates the monitor, keyboard and mouse in a 1U device; it fits for installed in a standard 19" rack. It can connect one computer to control the monitor, keyboard and mouse.

Features

- 3 in 1 LED console integrates the monitor, keyboard and mouse.
- The HD console can be connected to a PC or a KVM switch to control and manage single/multiple PCs.
- 17.3" LED TFT monitor with high brightness, high definition and high resolution.
- Ultra-slim keyboard with 99 keys and numeric keypad
- Standard PS/2 interface
- Touch pad with trackball
- Automatically lock up with the front panel lock latch
- Compact steel construction and high-quality hand-protection sliding rails

Product Appearance

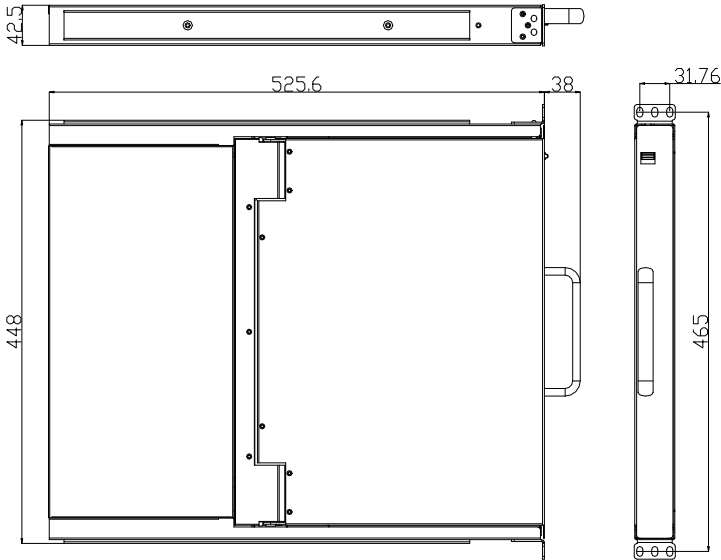


Figure 1-1 Product appearance

Front View

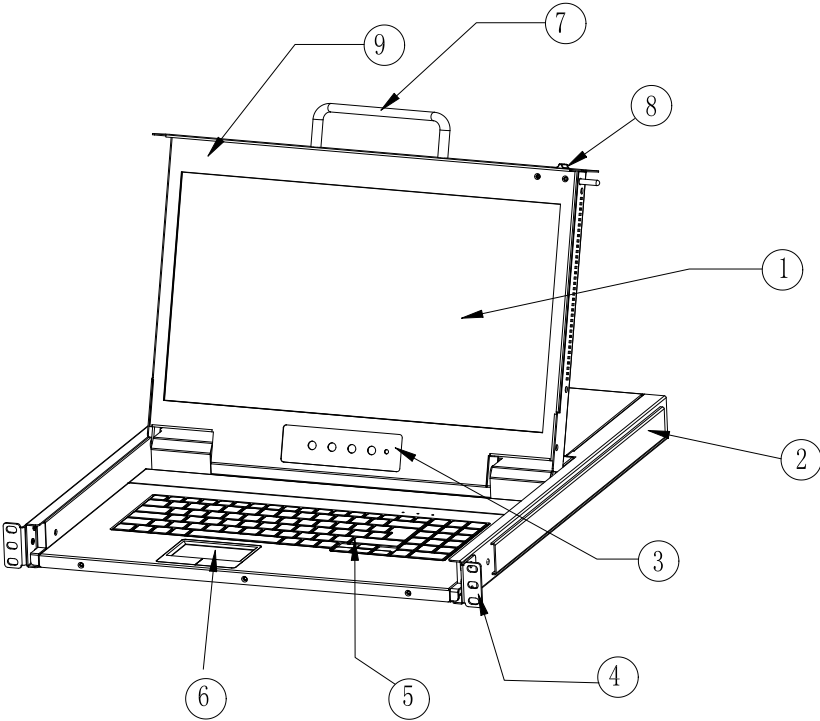
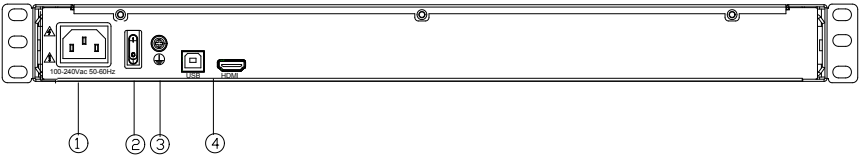


Figure 1-2 front view

- 1. LED Monitor
- 2. Rear bracket Slot
- 3. OSD Controls
- 4. Front bracket
- 5. Keyboard
- 6. Touch pad
- 7. Handle
- 8. Lock latch
- 9. Display panel

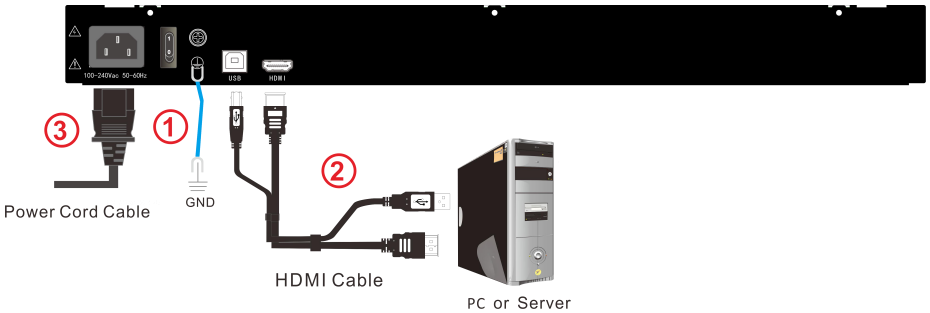
Back View



1-3 back view

- 1 Power input (AC or DC)
- 2 Power Switch
- 3 Ground connecting screw
- 4 KVM port

Cable Connection



1-4 cable connection

To ensure signal integrity and simplify cable layout, we strongly recommend you use high quality cables with different length as shown in above table.

Rack Mounting

A standard rack mounting kit is provided to mount the switch in a depth of 510-850mm in a standard 19" rack.

With one person hold the switch in place and the other person slides the L bracket into the switch's side mounting brackets from the front to the back, then screws the brackets to the rack. (See below installation diagrams)

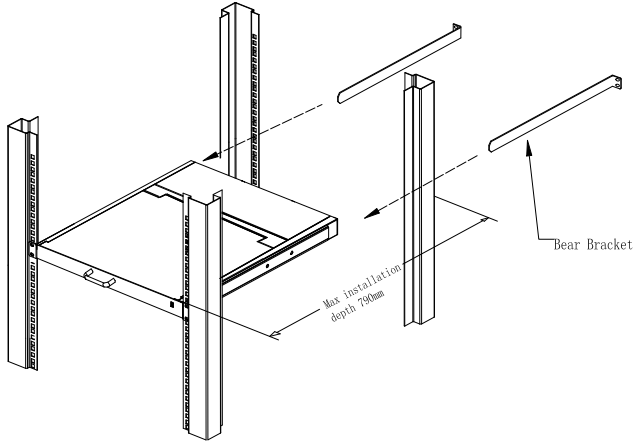


Figure2-1 rack mounting (1)

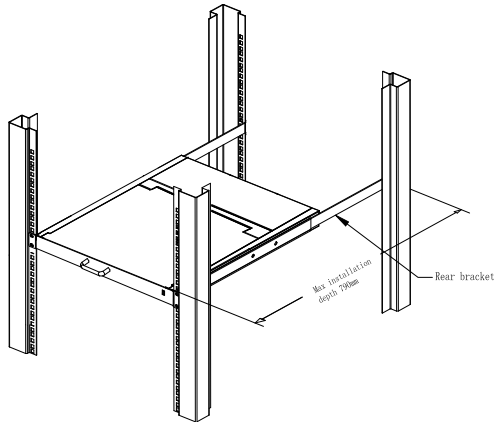


Figure 2-2 rack mounting (2)

Opening the Console

- Power on the KVM after connecting cables.
- Power on the server or PC after power on the KVM.
- Release the release catch.

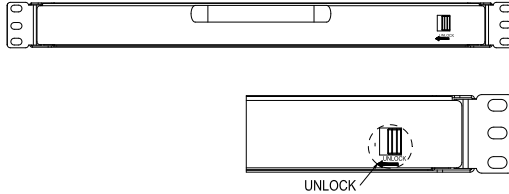


Figure 2-3 unlocking

****Note: The release catch can only do horizontal locking, it can't bear any load.***

- Pull the KVM console all the way out and the slide rail automatically locked to its place.
- Rotate the LED panel all the way back to expose the LED screen; the LED module can be rotated up to 108°.

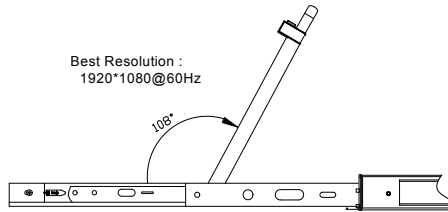


Figure2-4 open angel of the console

Closing the Console

- Close the console and the power automatically shut down.
- Push the release catch in the direction of the arrow; push the LED panel all the way in until it automatically locks up.

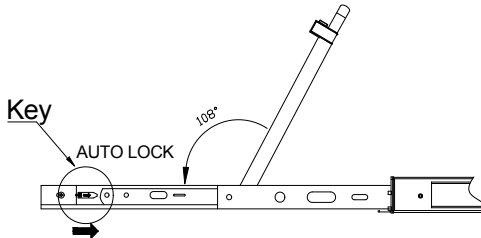


Figure 2-5 unlocking the slide rail

OSD Controls



Figure 3-1 OSD controls

Buttons	Functions
MENU SELECT	Press this button invokes the menu function and brings up the main menu.
EXIT/AUTO	Press EXIT exits the current menu and returns to the previous menu or presses this button exits the LED OSD. Press AUTO for automatic configuration.
SL-/SL+	Press this button moves your menu to make corresponding adjustment.
LED state	Green: running Red: power off or access non standard VESA signal Flash green: energy saving mode or no signal

Table 1 OSD controls instructions

Press AUTO when the screen migrates after power on or under other circumstances, then the screen auto configure to its best display state.(It might can't be adjusted to its best state if part of the display mode is not standard VESA mode, if so return back to OSD menu to RESET, then it will back to normal.

We suggest our customers to set up the display mode at 1920x1080, refresh rate at 60Hz.

Specifications

Model		LH1701
Computer Connections	Direct	1
	Max	1
Port emulation	Keyboard, mouse	USB
LED monitor	LED model	FHD TFT
	View area	17.3"
	Optimum resolution	1920×1080@60Hz
	Display color	16.7 M
	Brightness	250cd/m ² (T y p)
	Contrast ratio	800: 1(T y p)
	Pixel pitch(mm)	0.1989(H) × 0.1989(W)
Mouse	X/Y resolution	>1000 points / inch, (40 points/mm)
	Touchpad with trackball	Eliminates the need for an external mouse
Keyboard		99 keys (82 keys main keyboard + 17 independent small number pad)
Input power		100V-240Vac, 50~60Hz, <1.5A
Power consumption		10W
Operating temperature		0—50 °C
Storage temperature		-20— 60 °C
Humidity		0—80% RH, non-condensing
Net weight		10.5 kg
Product dimension (W × D × H)		448mm×525.6mm×42.5mm
Package dimension (W × D × H)		765mm×615mm×185mm
Optional power input		-36V— -72Vdc